



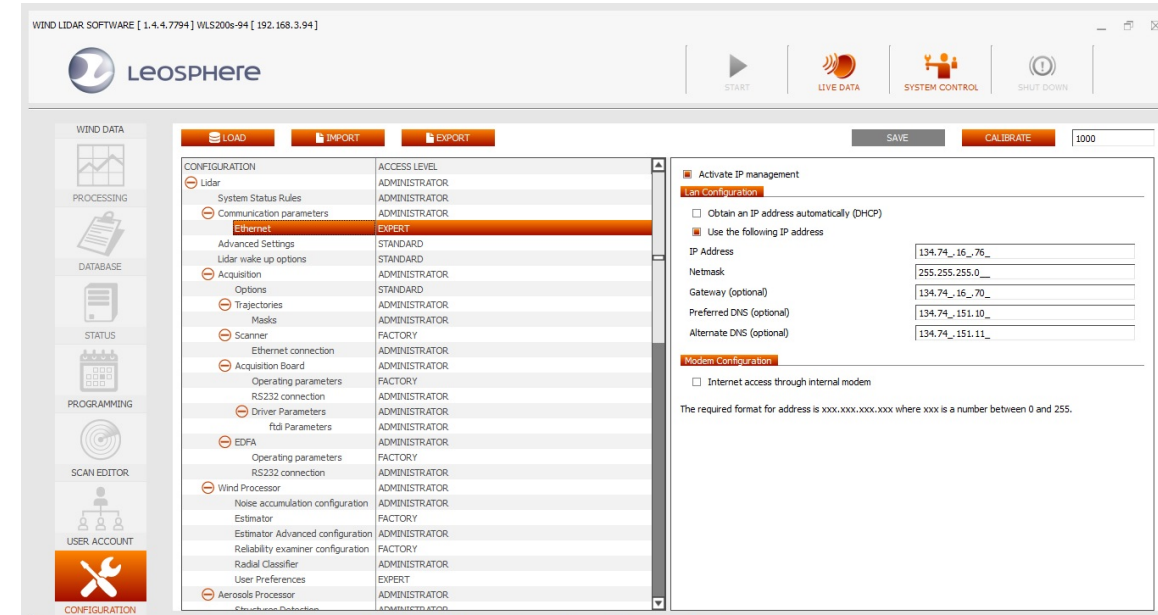
Aris David Fernandez

Electrical Engineering Master's Degree Candidate

The City College of New York

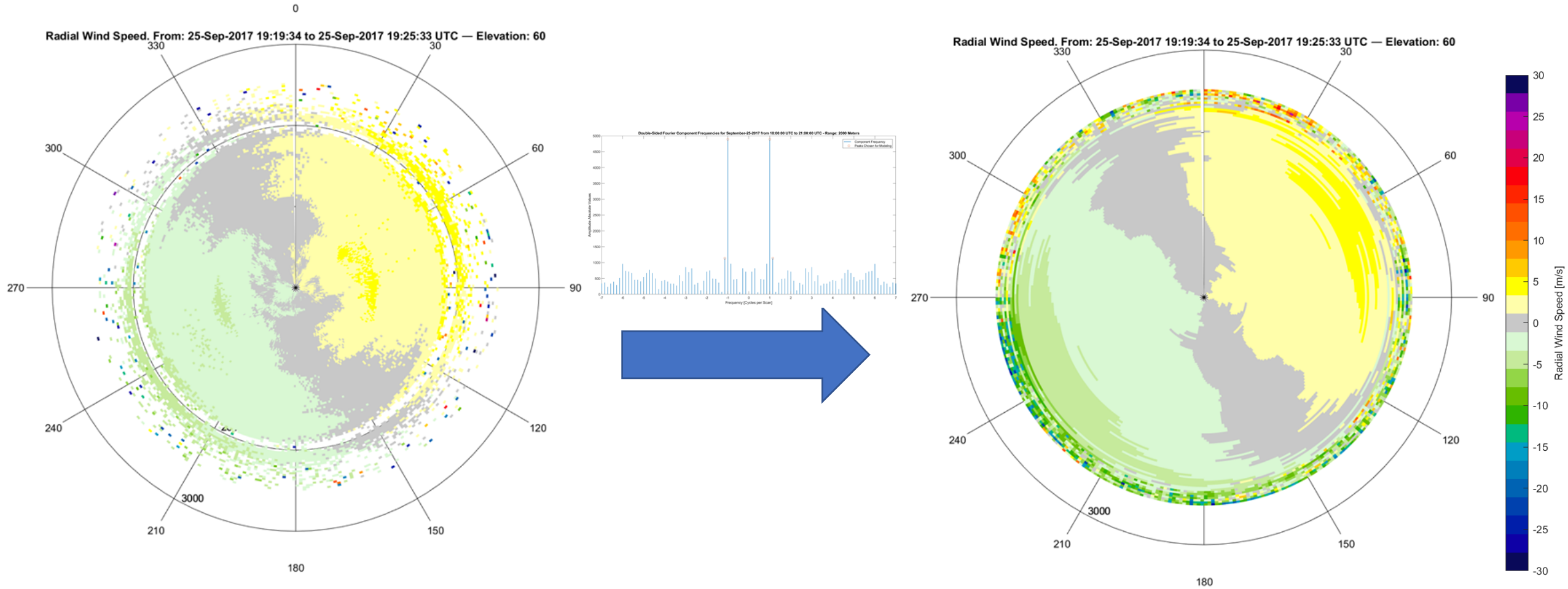
The *City* College  
of New York

# CCNY Work



- Doppler LIDAR research
- LIDAR equipment monitoring and maintenance
- Writing code to process and display LIDAR data

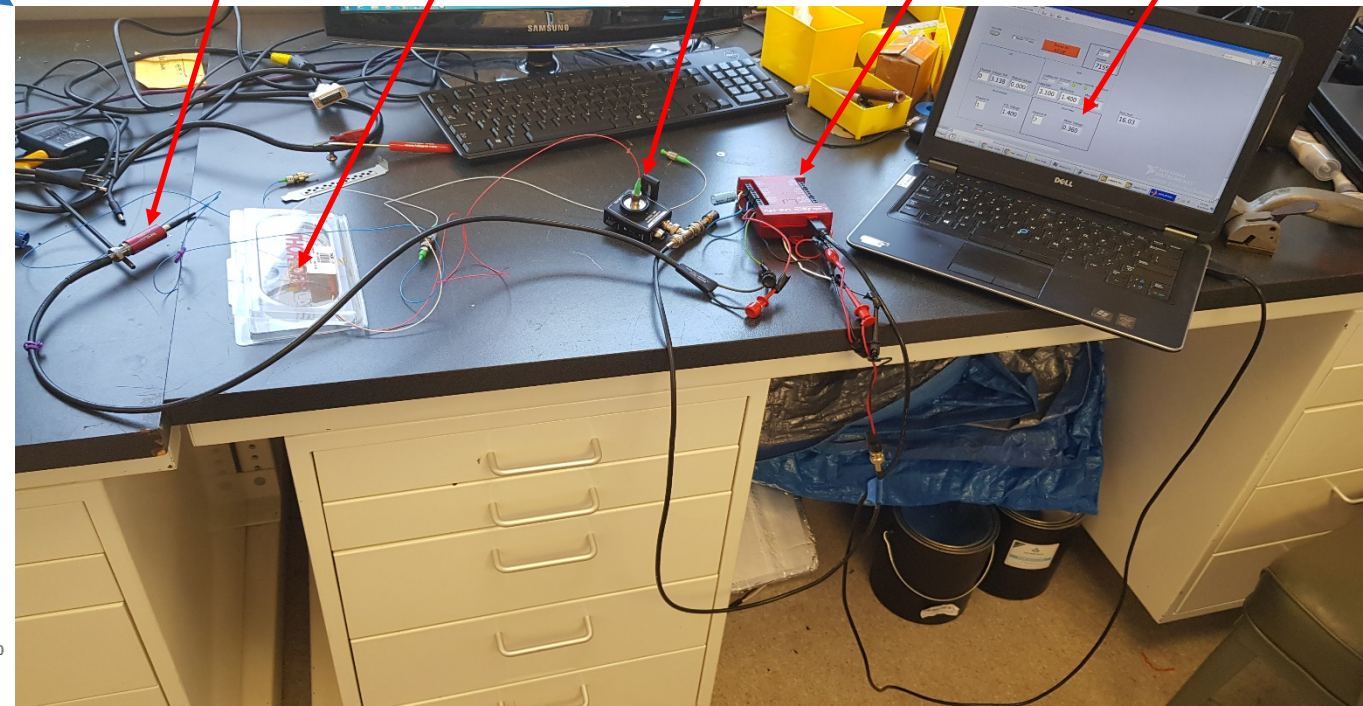
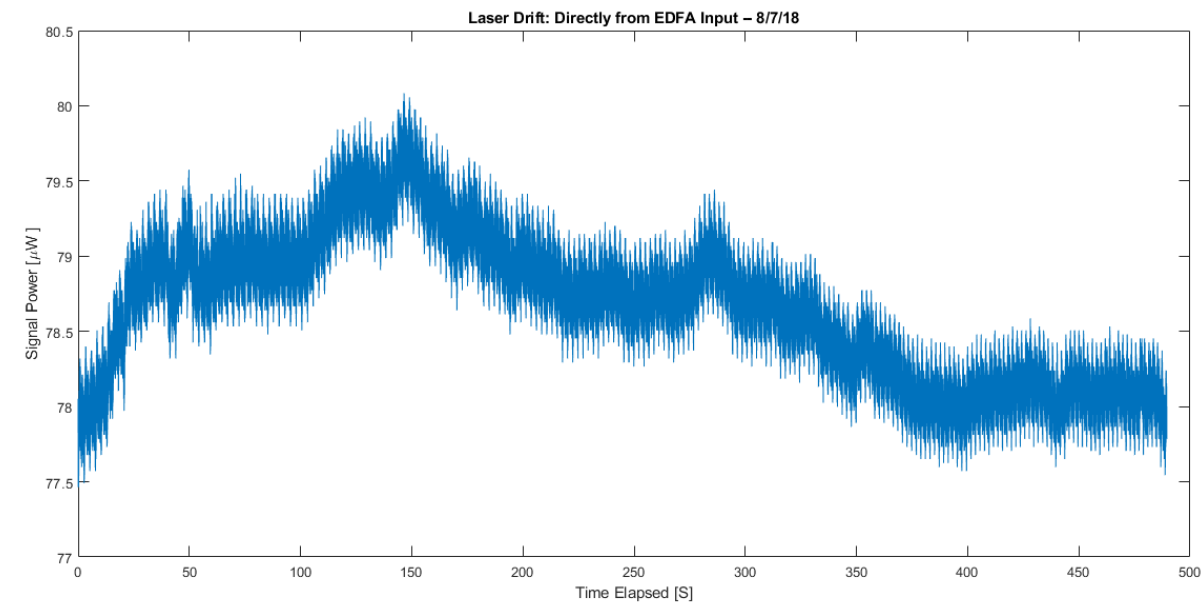
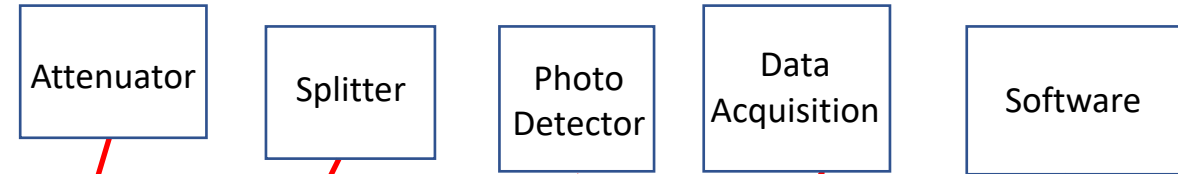
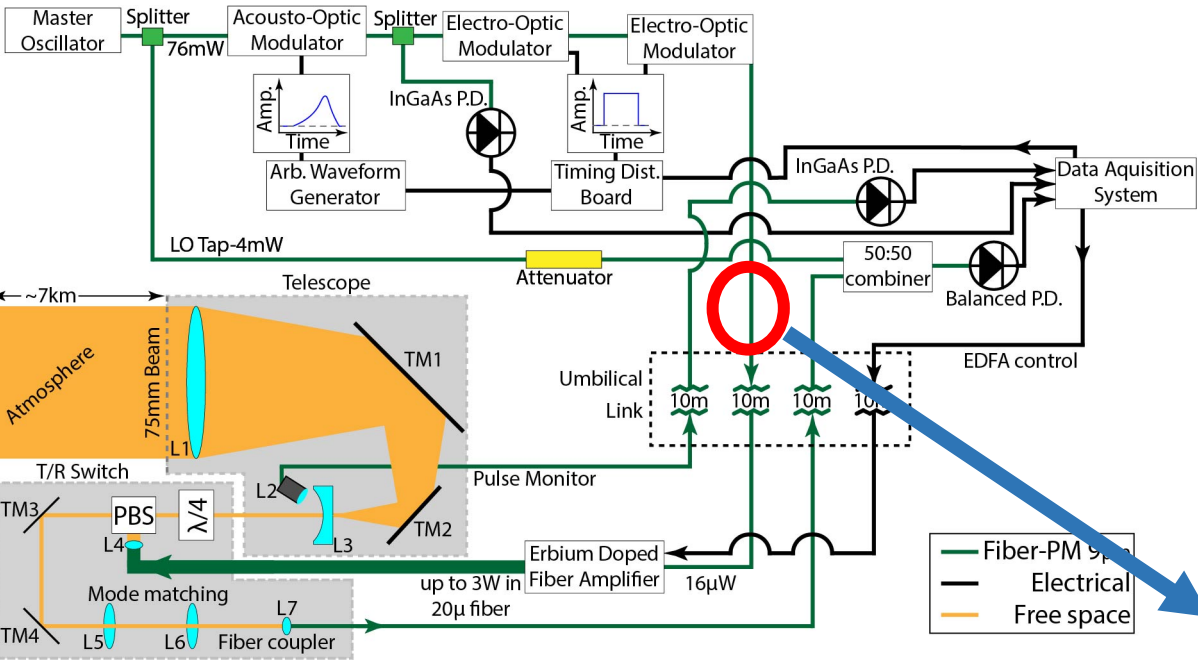
# CCNY Work Cont.



- Interpolating wind data based on frequency analysis approach
- FFT calculated and major frequency components chosen
- Signal rebuilt using chosen components

# NERTO

## Automatic Laser Power Adjustment



# NERTO: Results

