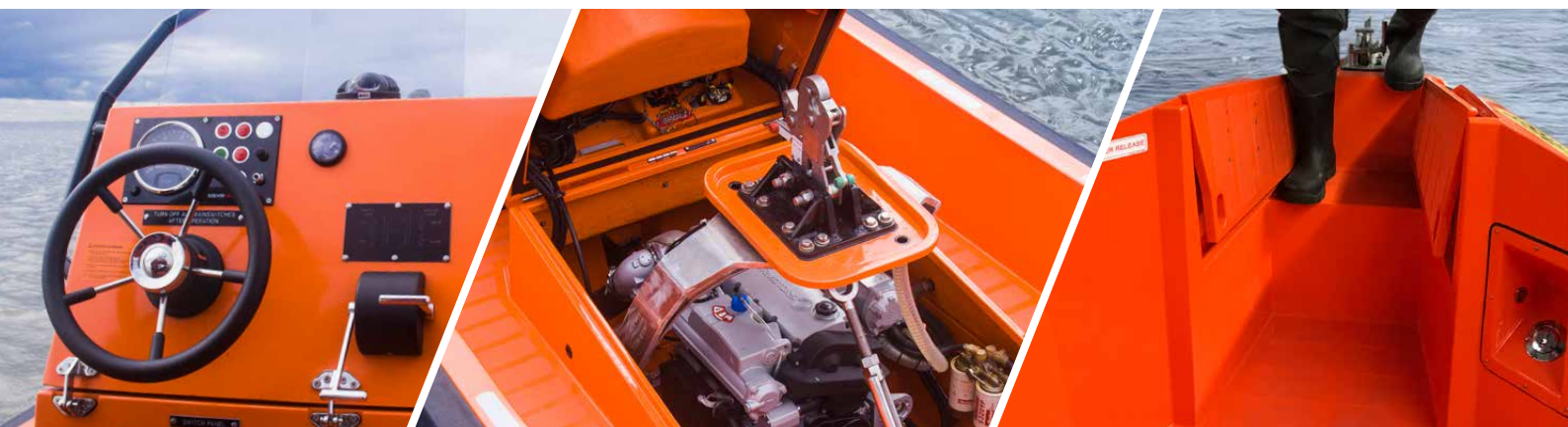


PALFINGER

LIFETIME EXCELLENCE

NEW GENERATION FAST-RESCUE BOAT

FRSQ 630



OUR NEW FRSQ 630 FEATURES

- Designed for excellent performance in rough seas
- Suitable for a wide range of operations
- In compliance with latest SOLAS and NMA Offshore regulations
- Easy access to all service points
- Heavy duty D-section fendering
- Helm designed for safety & excellent ergonomics
- Boarding stairs in the bow
- Optional self-righting bag & foam fenders

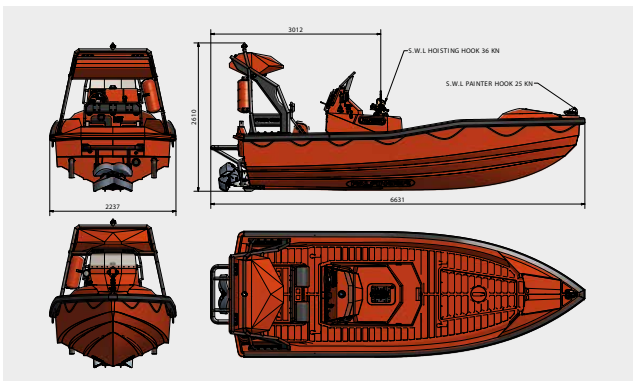


LIFESAVING
EQUIPMENT

TECHNICAL DESCRIPTION

Material	High quality Glass fiber reinforced polyester GRP
LOA	6.63 m
BOA	2.24 m
Height	2.61 m
Propulsion	Single waterjet in following sizes: 144 / 164 / 231 / 258 HP
Max speed (incl. full tanks and 3 persons)	23 / 26 / 32 / 34 knots
Weight WE (fully equipped incl. fuel)	1820 kg / 1820 kg / 1920 kg / 1920 kg
Weight (fully loaded incl 15 persons)	3060 kg / 3060 kg / 3160 kg / 3160 kg
Capacity	6-15 persons
Environmental conditions	Operation from -15 C to +45 C / Storage from - 30 C to +50 C

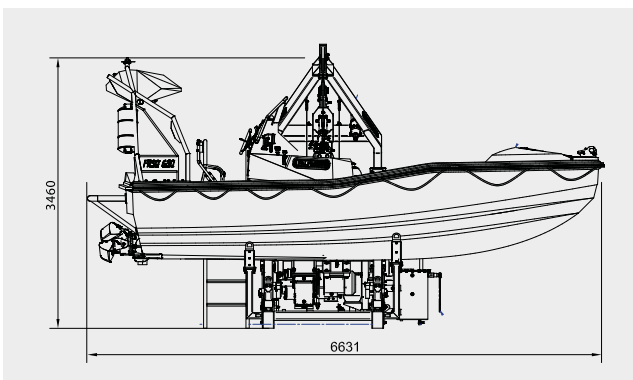
SOLAS FAST RESCUE BOAT



PALFINGER MARINE offers a new range of rescue boat system for offshore applications, merchant and passenger vessels. Our innovative design ensures great stability and optimal working conditions on the vessel in rough sea conditions.

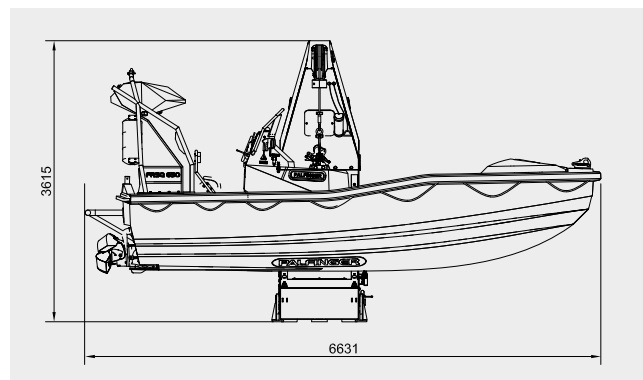
The boat has high-speed hull, achieving speed up to 34 knots.

OPTIONAL DAVITS



PRHE SERIES

- Hydraulic pivoting and electric hoisting
- Easy to install (plug and play)
- Self-contained stainless steel HPU
- Easy to maintain
- Optional light weight version
- H Series = Hydraulic hoisting/lowering
- Foldable davit arm for easy transportation
- SWL 27.5 – 37.5 kN



NPDS SERIES

- Easy to install (plug and play)
- Totally enclosed system
- All components protected from wear and tear
- Innovative design
- Optional Ro-Ro certificate (NPDS 3500H)
- SWL 31.4