

Cross Section Drawing

Trinsic Horizontal Slider Below Window 1 1/2" Contour Z-Bar Frame



CAD File Scale
NTS

View
Horizontal & Vertical

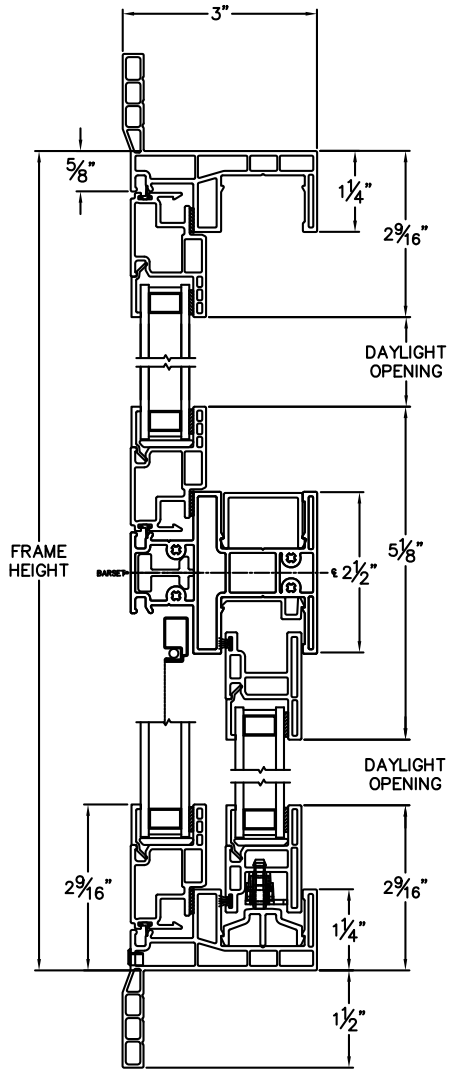
File Name
TRINSIC_2170_HVB_1.5in_Z-Bar

Units
Inch

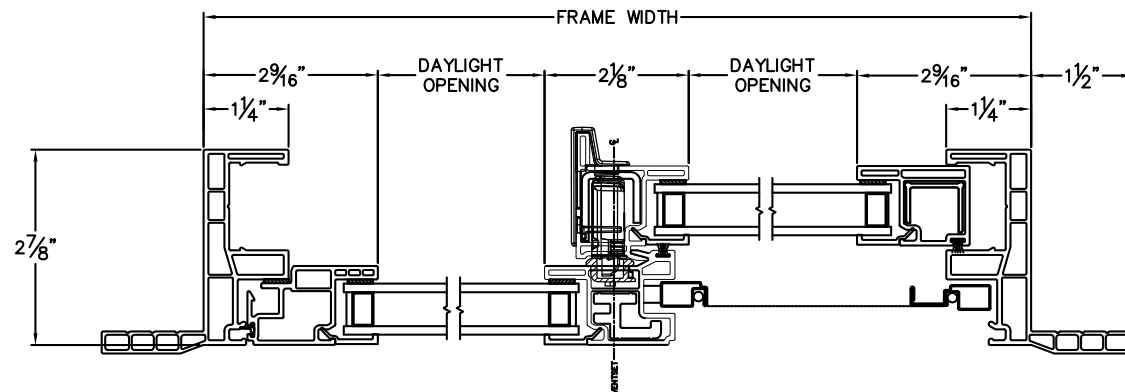
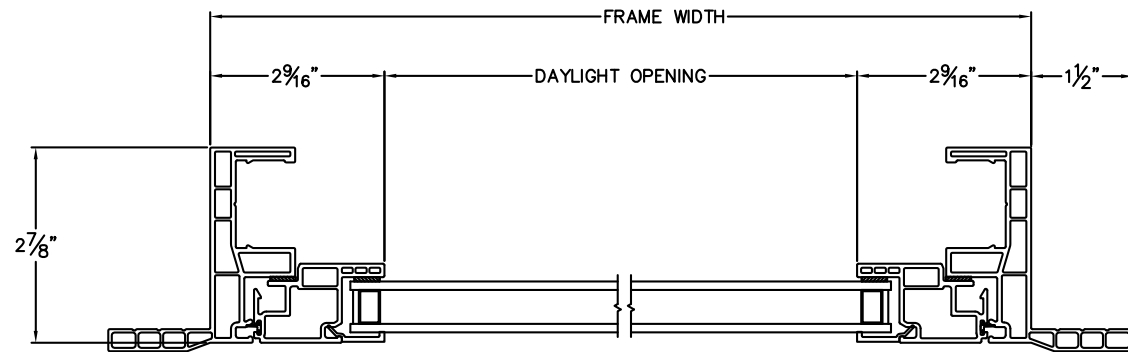
Revision
08/2018

More Technical Documents can be found at milgard.com/professionals
Due to continual research and development, details may be changed at any time. ©2018 Milgard Mfg.

HALF VENT BELOW SERIES 2170



HEAD & SILL



JAMBS