

# Cross Section Drawing

## Trinsic Double Vent Window

### 1 1/2" Contour Z-Bar Frame



*Clearly the best.™*

CAD File Scale  
NTS

View  
Horizontal & Vertical

File Name  
Trinsic\_2170\_DV\_1.5in Z-Bar

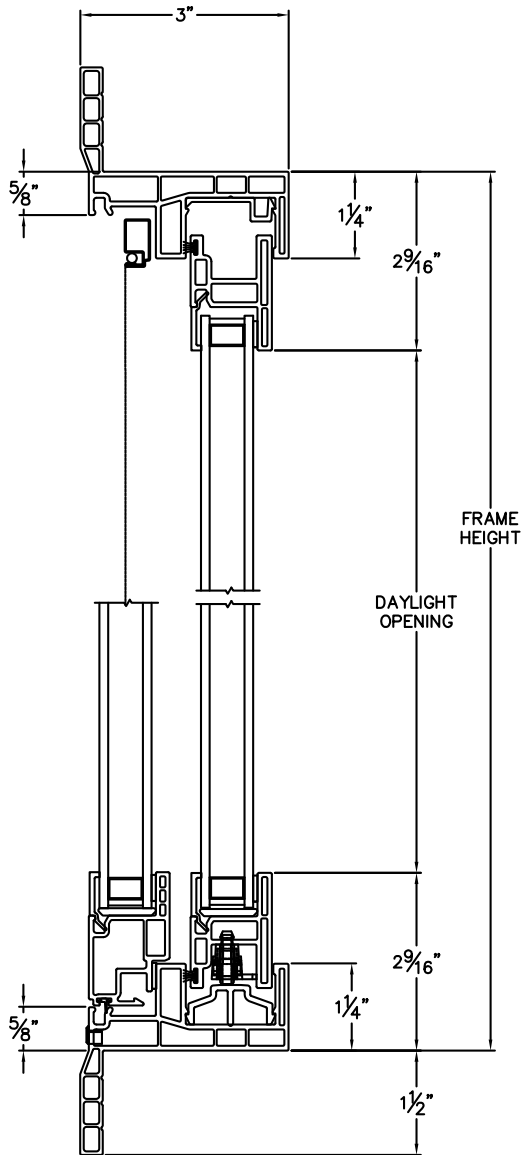
Units  
Inch

Revision  
08/2018

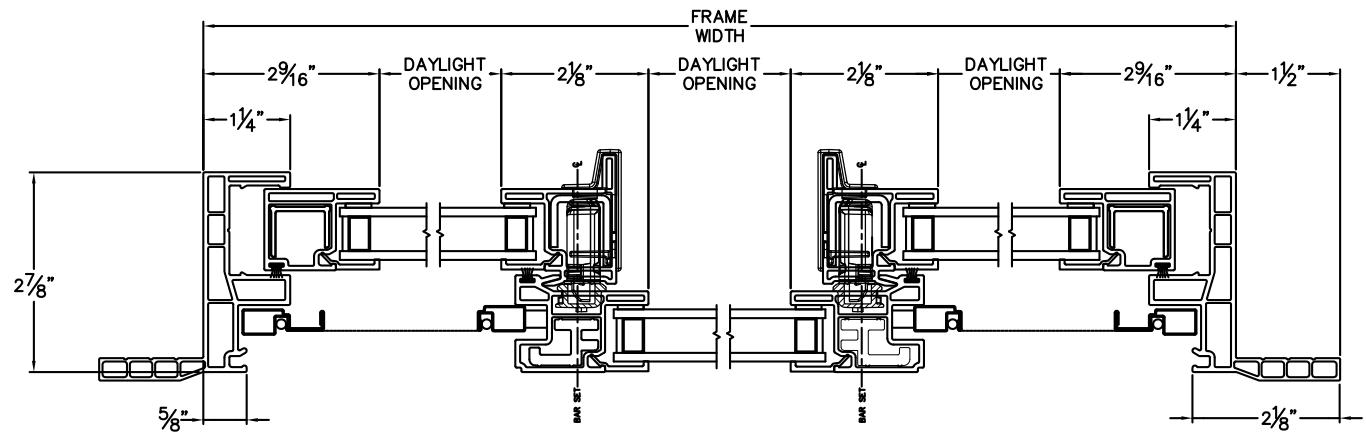
More Technical Documents can be found at [milgard.com/professionals](http://milgard.com/professionals)

Due to continual research and development, details may be changed at any time. ©2018 Milgard Mfg.

## DOUBLE VENT SERIES 2170



HEAD & SILL



JAMBS