

# Cross Section Drawing

## Trinsic Horizontal Slider Below Window 1" Nailfin Setback Frame with J-Channel



CAD File Scale  
NTS

View  
Horizontal & Vertical

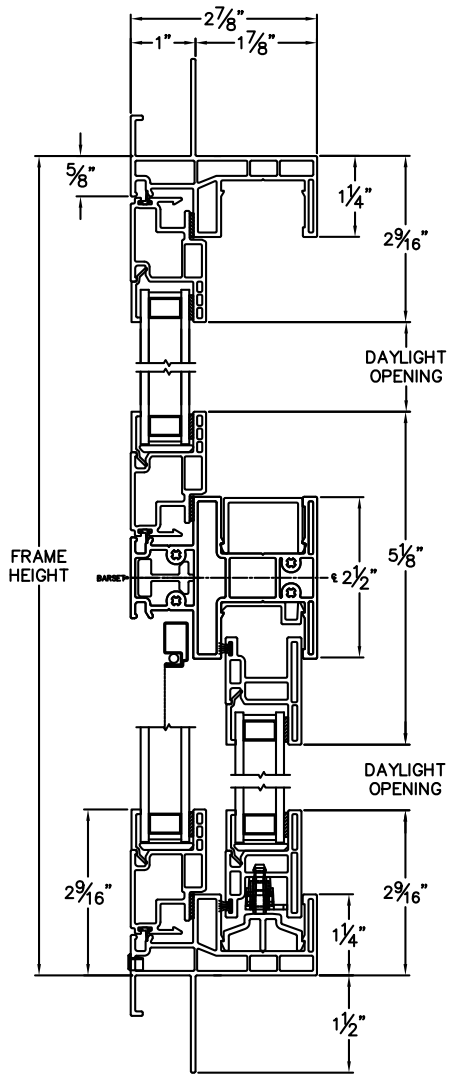
File Name  
TRINSIC\_2130J\_HVB\_1in\_J-Channel

Units  
Inch

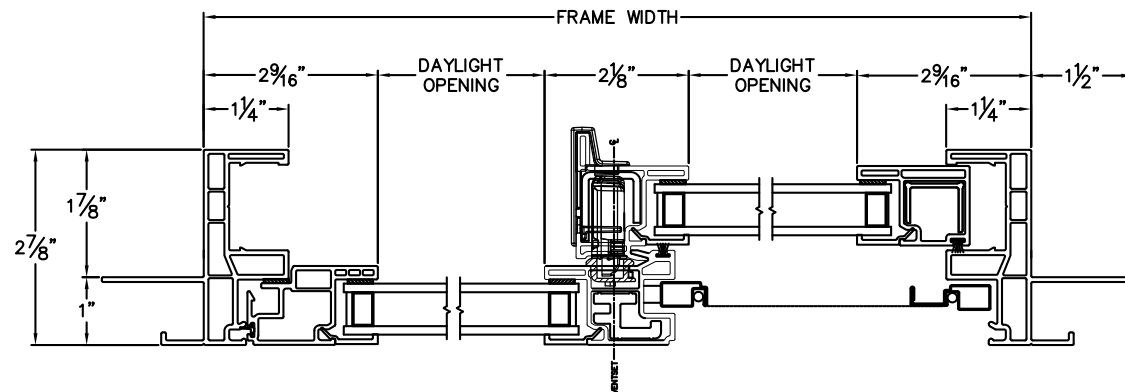
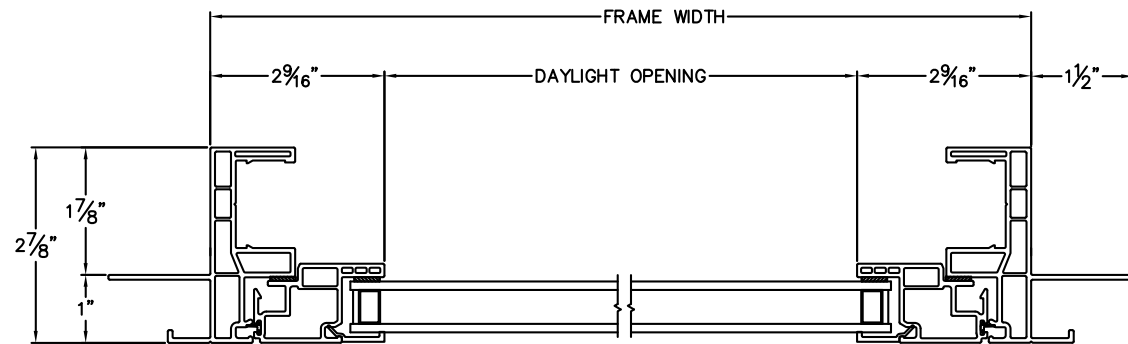
Revision  
08/2018

More Technical Documents can be found at [milgard.com/professionals](http://milgard.com/professionals)  
Due to continual research and development, details may be changed at any time. ©2018 Milgard Mfg.

### HALF VENT BELOW SERIES 2130J



HEAD & SILL



JAMBS