

Cross Section Drawing

Trinsic Horizontal Slider Above Window 1 3/8" Nailfin Setback Frame with Stucco Key



CAD File Scale
NTS

View
Horizontal & Vertical

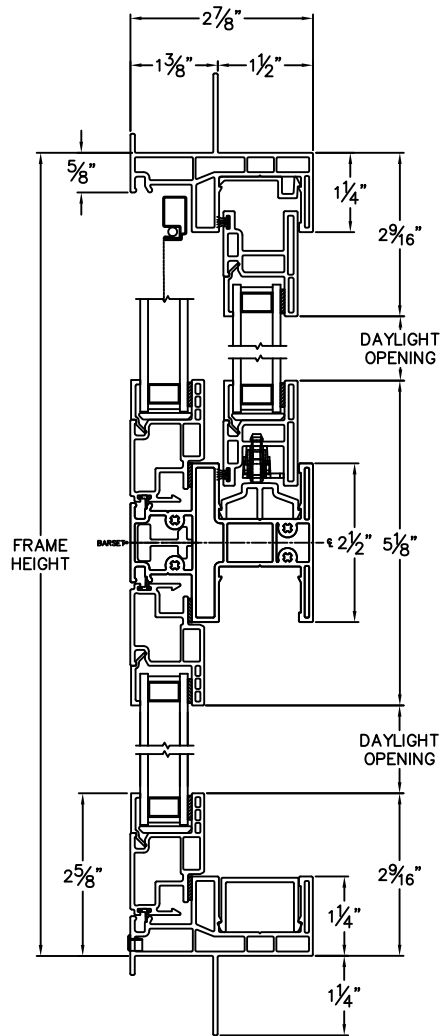
File Name
TRINSIC_2111_HVA_1.375in_Stucco

Units
Inch

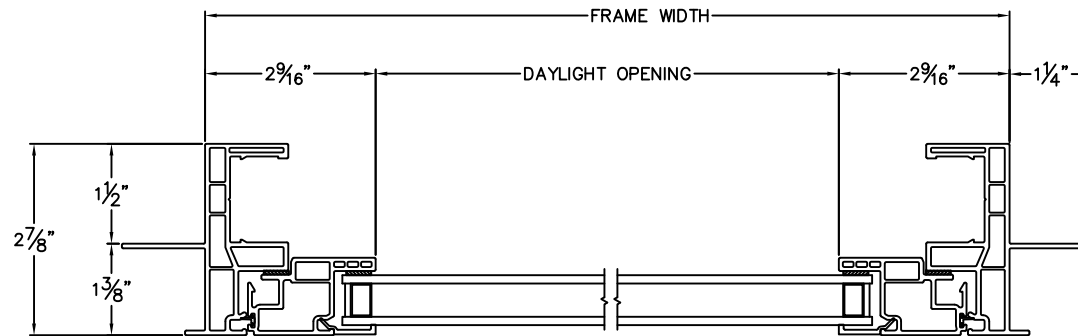
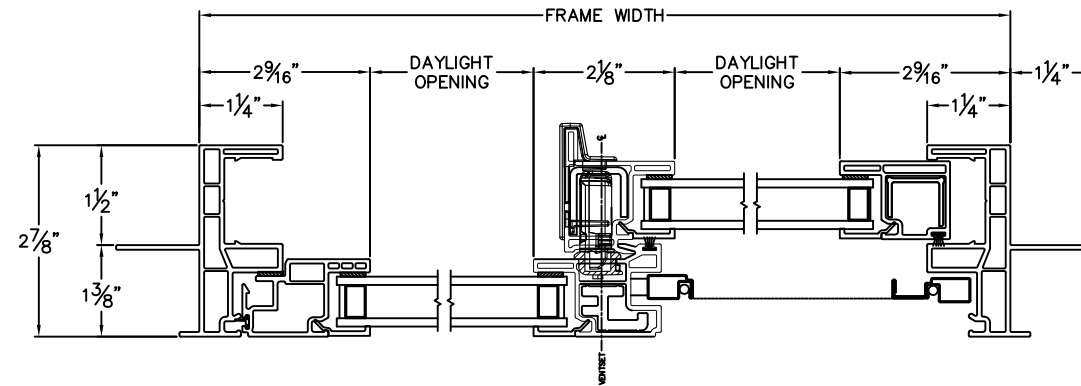
Revision
08/2018

More Technical Documents can be found at milgard.com/professionals
Due to continual research and development, details may be changed at any time. ©2018 Milgard Mfg.

HALF VENT ABOVE SERIES 2111



HEAD & SILL



JAMBS