

Cross Section Drawing

Trinsic Horizontal Slider Above Window 1 3/8" Nailfin Setback Frame



Clearly the best.™

CAD File Scale
NTS

View
Horizontal & Vertical

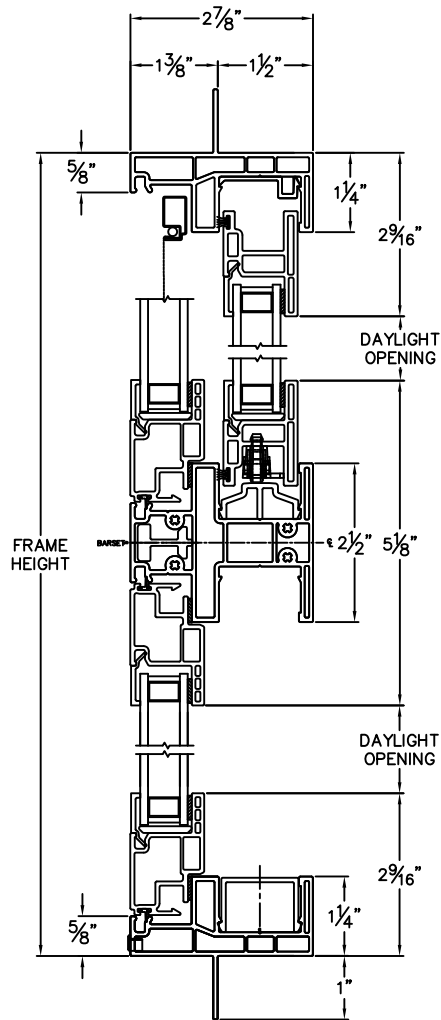
File Name
TRINSIC_2110_HVA_1.375in

Units
Inch

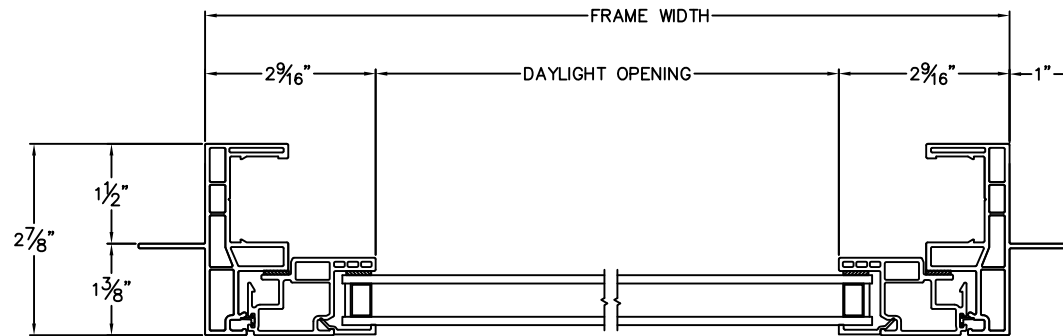
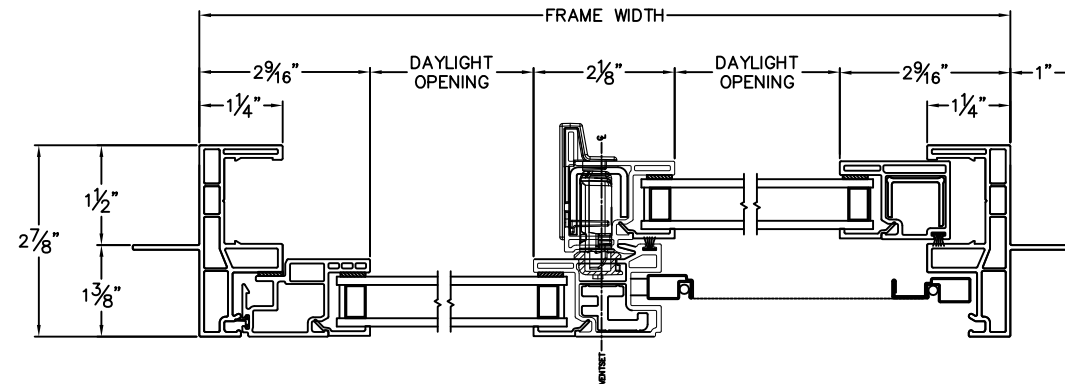
Revision
08/2018

More Technical Documents can be found at milgard.com/professionals
Due to continual research and development, details may be changed at any time. ©2018 Milgard Mfg.

HALF VENT ABOVE SERIES 2110



HEAD & SILL



JAMBS