

Cross Section Drawing

Trinsic Double Vent Window

1 3/8" Nailfin Setback Frame



CAD File Scale
NTS

View
Horizontal & Vertical

File Name
Trinsic_2110_DV_1.375in

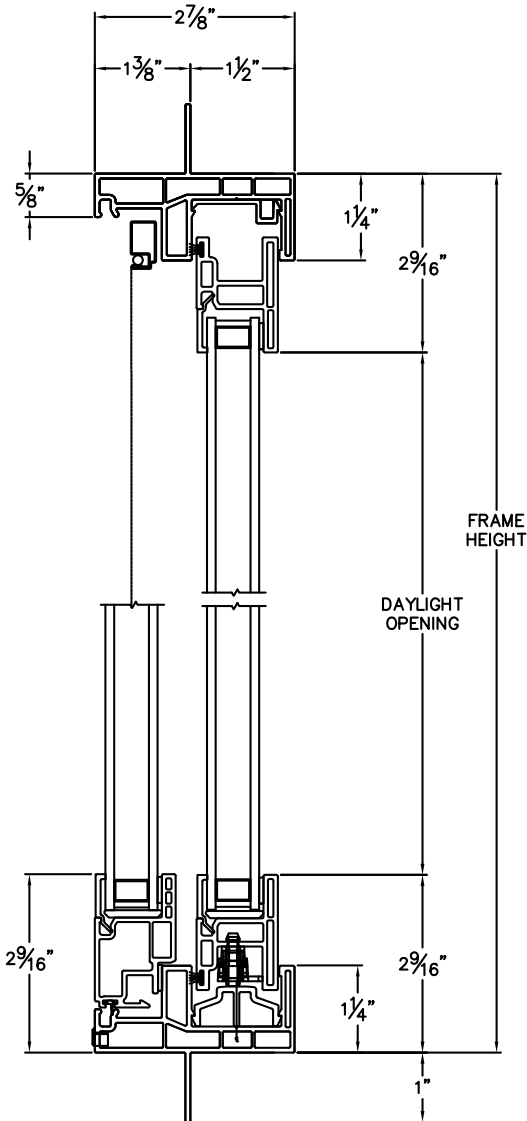
Units
Inch

Revision
08/2018

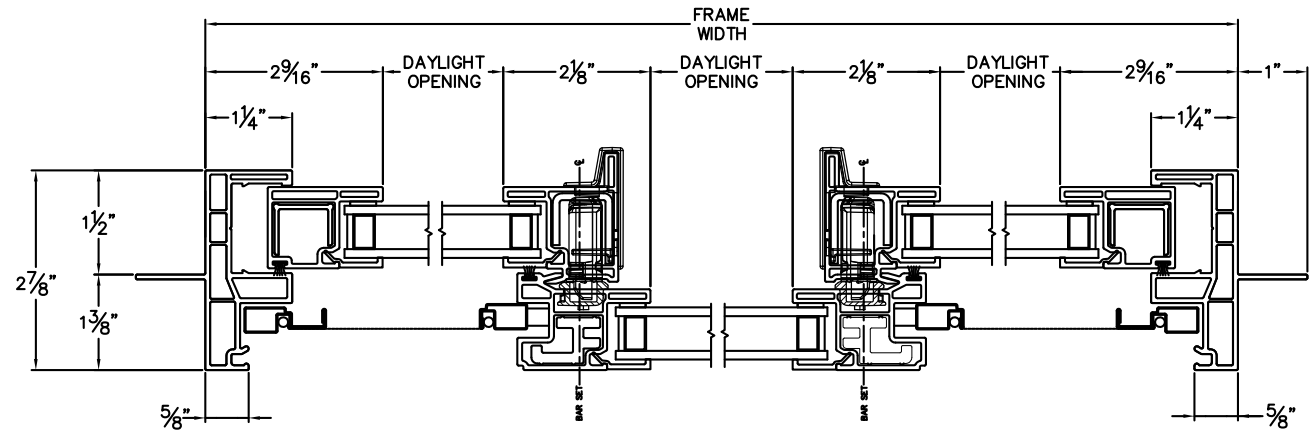
More Technical Documents can be found at milgard.com/professionals

Due to continual research and development, details may be changed at any time. ©2018 Milgard Mfg.

DOUBLE VENT SERIES 2110



HEAD & SILL



JAMBS