

# Cross Section Drawing

## Tuscany Single Hung Above Window 1 3/8" Fin Setback



Clearly the best.™

CAD File Scale  
NTS

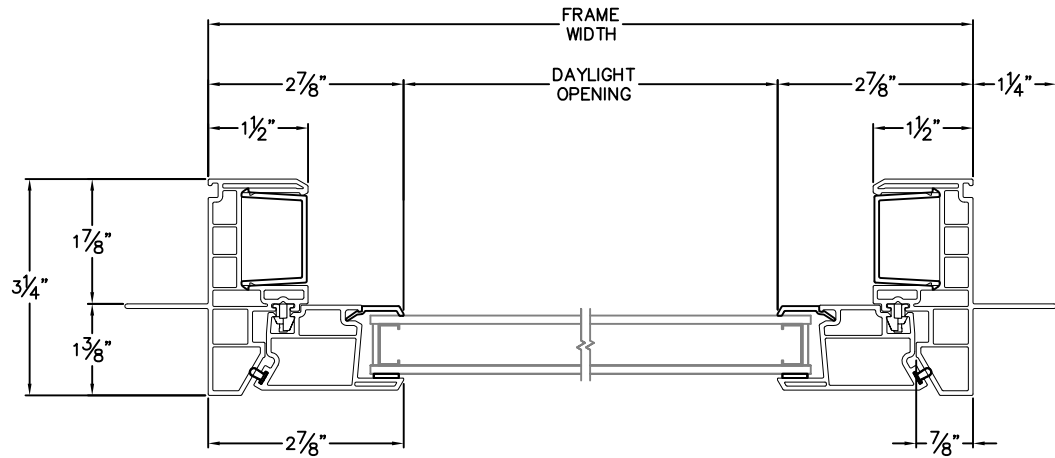
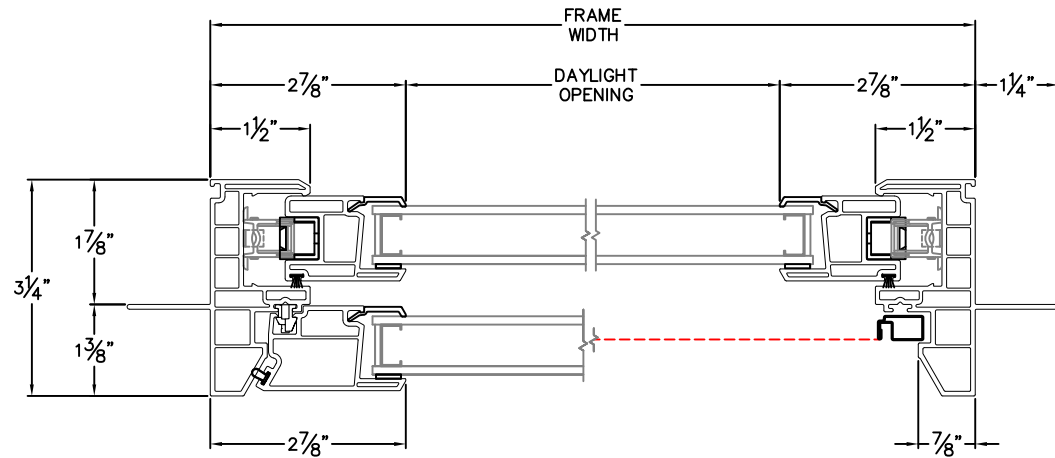
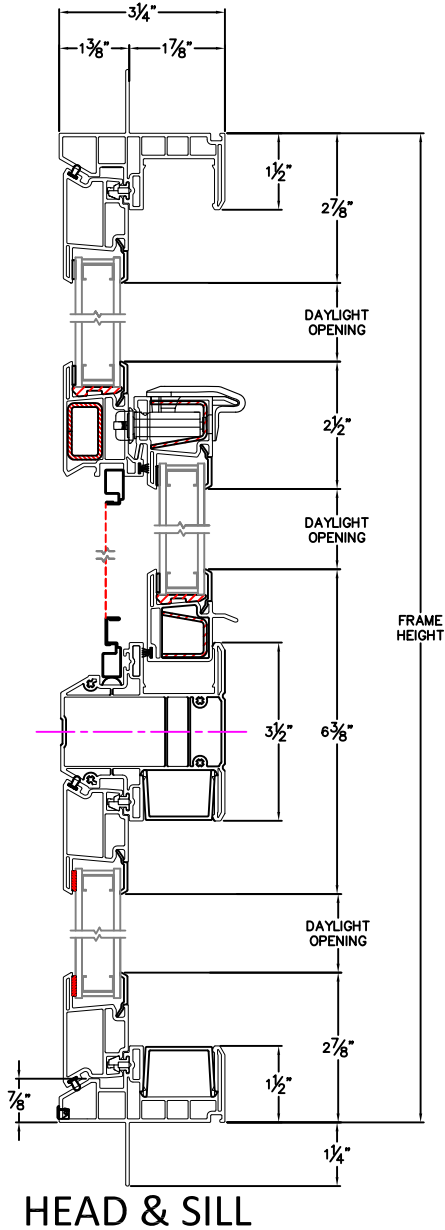
View  
Horizontal & Vertical

File Name  
8220T SHA

Units  
Inch

More Technical Documents can be found at [milgard.com/professionals](http://milgard.com/professionals)  
Due to continual research and development, details may be changed at any time. ©2013 Milgard Mfg.

### SINGLE HUNG ABOVE SERIES 8220



JAMBS