

Cross Section Drawing

Tuscany Single Hung Window 1 3/8" Fin Setback Accessory Groove Frame , 3/4" Flat J Channel



Clearly the best.™

CAD File Scale
NTS

View
Horizontal & Vertical

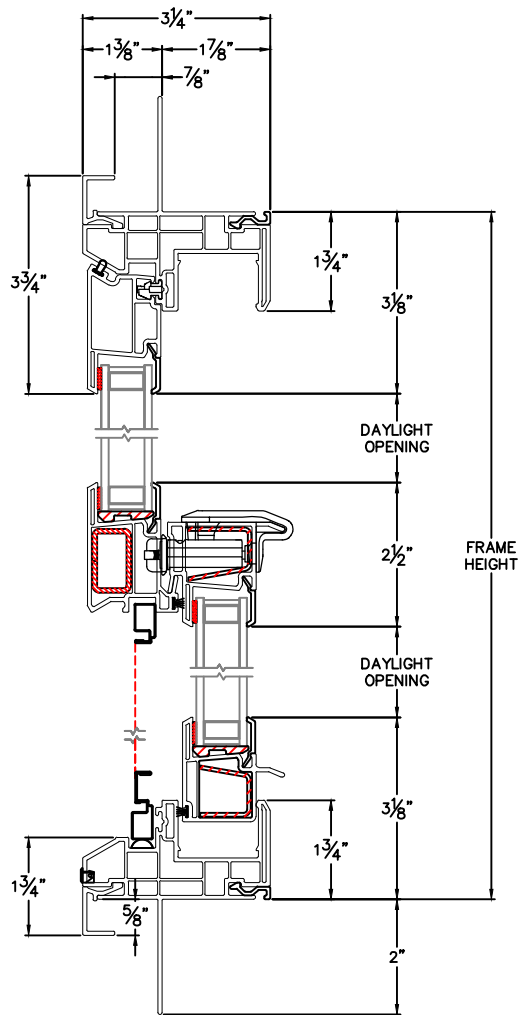
File Name
8240T-04 SH

Units
Inch

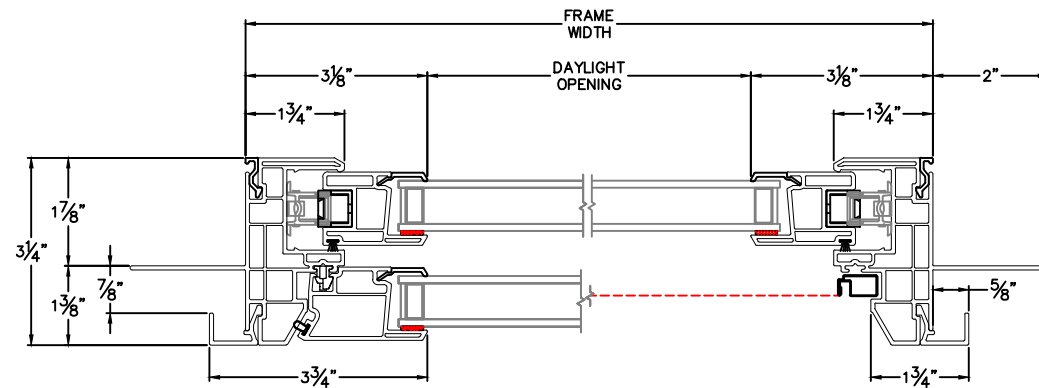
More Technical Documents can be found at milgard.com/professionals

Due to continual research and development, details may be changed at any time. ©2013 Milgard Mfg.

SINGLE HUNG SERIES 8240



HEAD & SILL



JAMBS