

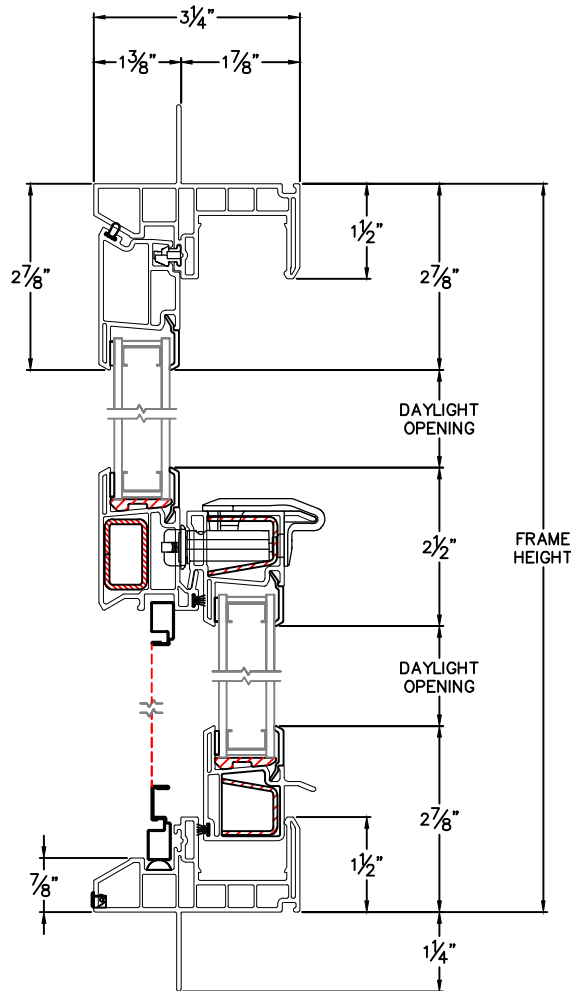
**Cross Section Drawing**  
**Tuscany Single Hung Window**  
**1 3/8" Fin Setback**



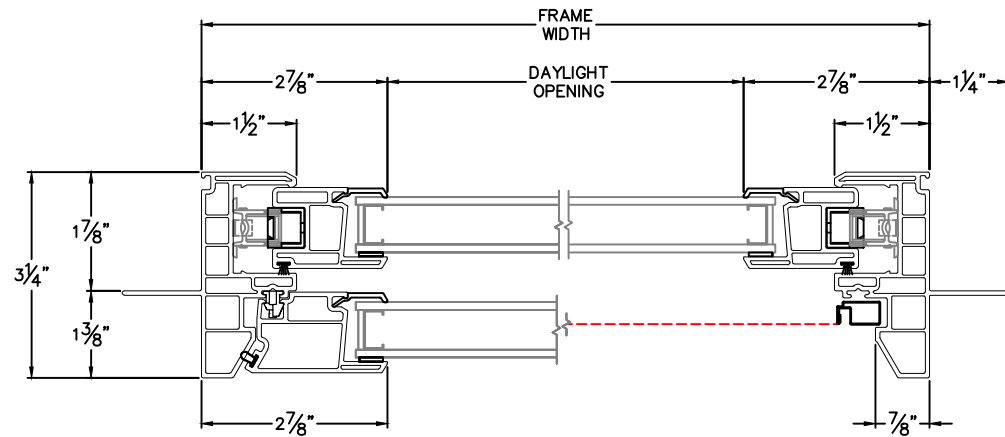
CAD File Scale	View	File Name	Units
NTS	Horizontal & Vertical	8220T-01 SH	Inch

More Technical Documents can be found at [milgard.com/professionals](http://milgard.com/professionals)  
 Due to continual research and development, details may be changed at any time. ©2013 Milgard Mfg.

**SINGLE HUNG**  
**SERIES 8220**



**HEAD & SILL**



**JAMBS**