

Cross Section Drawing

Tuscany Single Hung Above 2 Lites Window 1 3/8" Fin Setback



Clearly the best.™

CAD File Scale
NTS

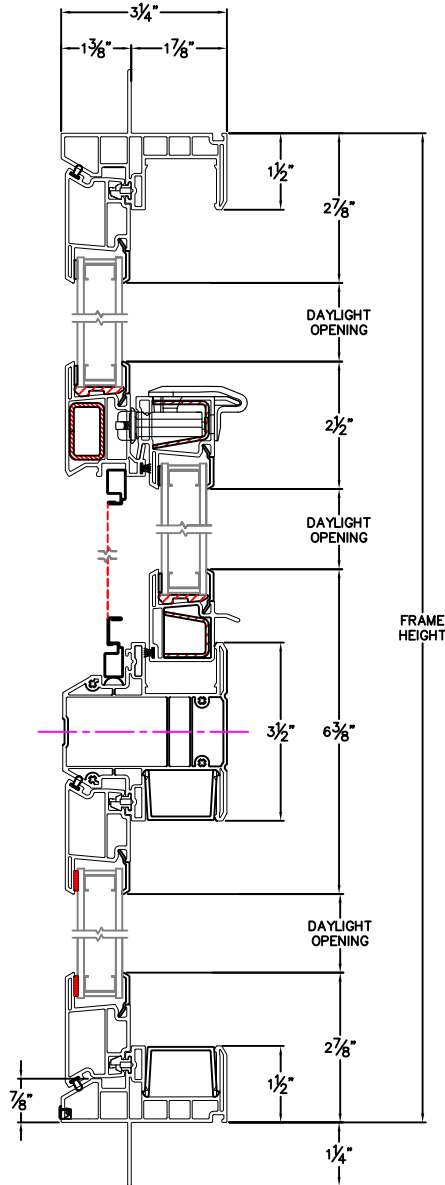
View
Horizontal & Vertical

File Name
8220T DSHA2

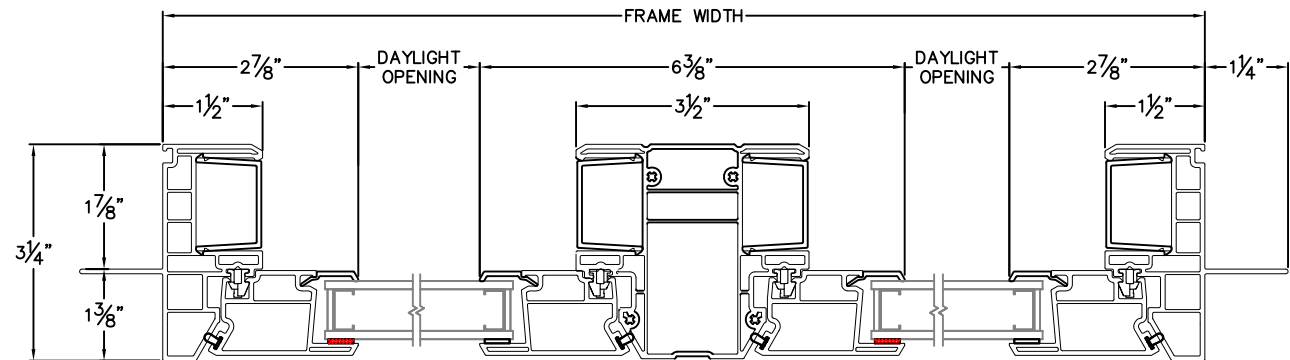
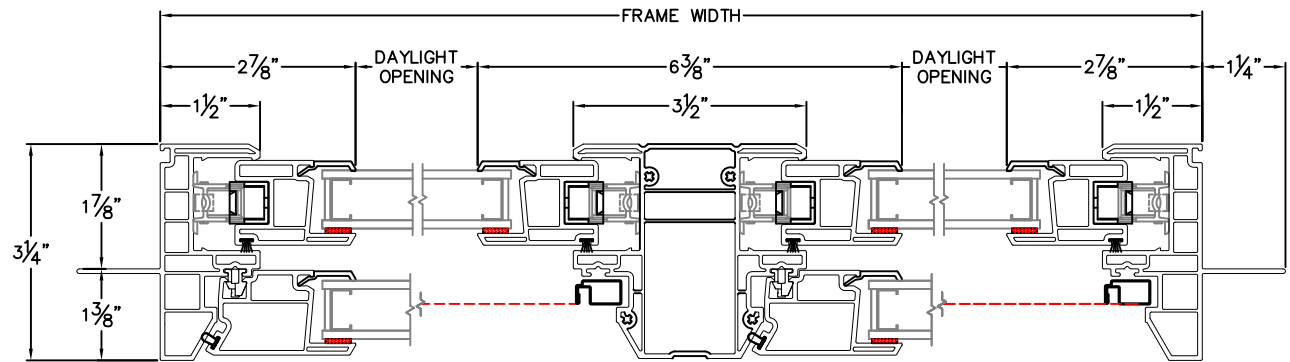
Units
Inch

More Technical Documents can be found at milgard.com/professionals
Due to continual research and development, details may be changed at any time. ©2013 Milgard Mfg.

SINGLE HUNG ABOVE 2 LITES SERIES 8220



HEAD & SILL



JAMBS