

Cross Section Drawing

Tuscany Horizontal Slider Above Window Block Frame



Clearly the best.™

CAD File Scale
NTS

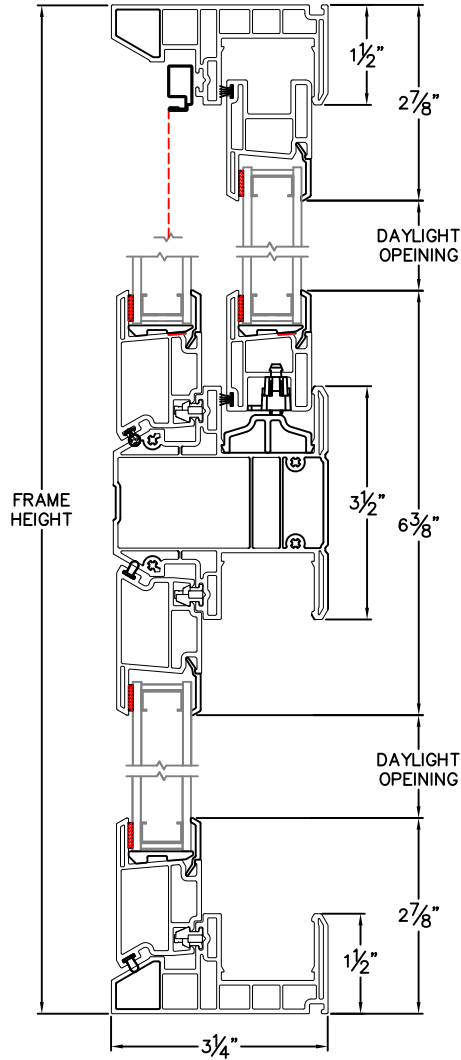
View
Horizontal & Vertical

File Name
8120T HVA

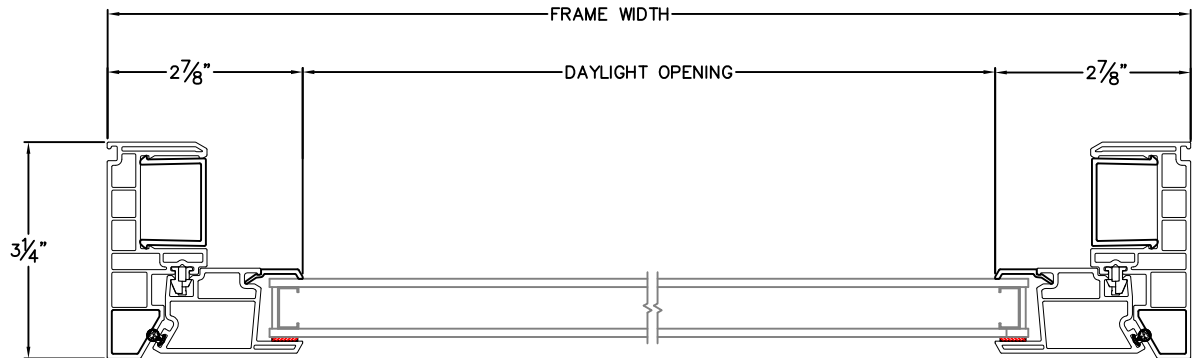
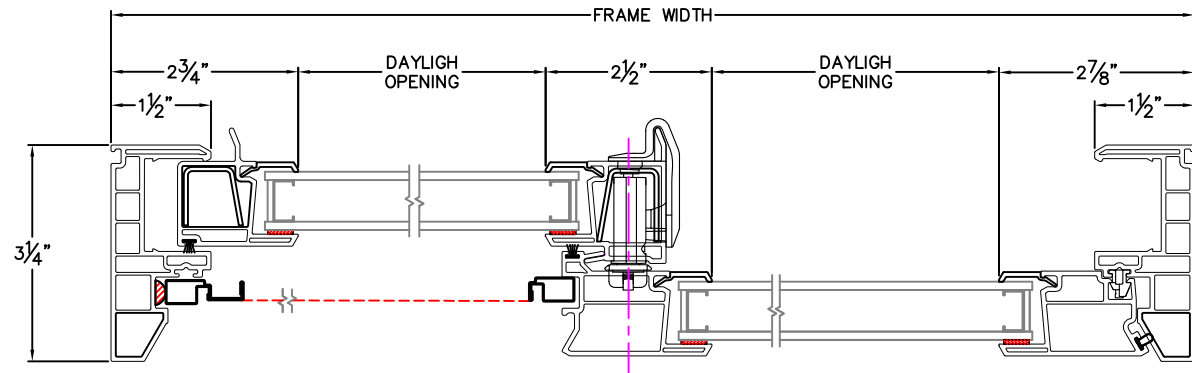
Units
Inch

More Technical Documents can be found at milgard.com/professionals
Due to continual research and development, details may be changed at any time. ©2013 Milgard Mfg.

HALF VENT ABOVE SERIES 8120



HEAD & SILL



JAMBS