

Cross Section Drawing

Tuscany Full Casement Window, Fixed 1 5/8" Contour Z-Bar



Clearly the best.™

CAD File Scale
NTS

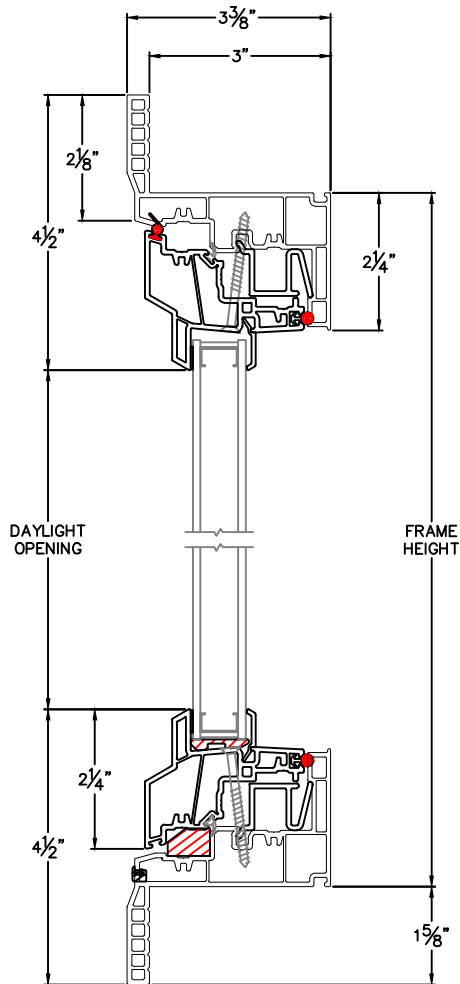
View
Horizontal & Vertical

File Name
8571T-01 FC

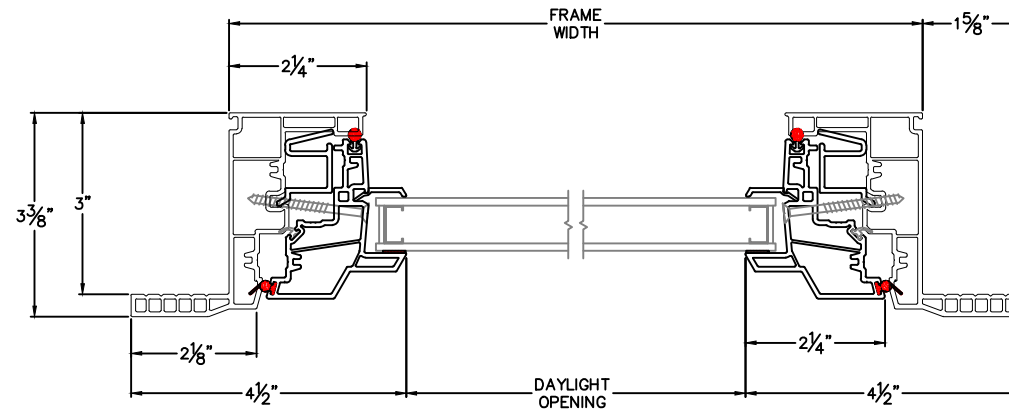
Units
Inch

More Technical Documents can be found at milgard.com/professionals
Due to continual research and development, details may be changed at any time. ©2013 Milgard Mfg.

CASEMENT SERIES 8571



HEAD & SILL



JAMBS