

Bay Framing Detail

CAD File Scale

View

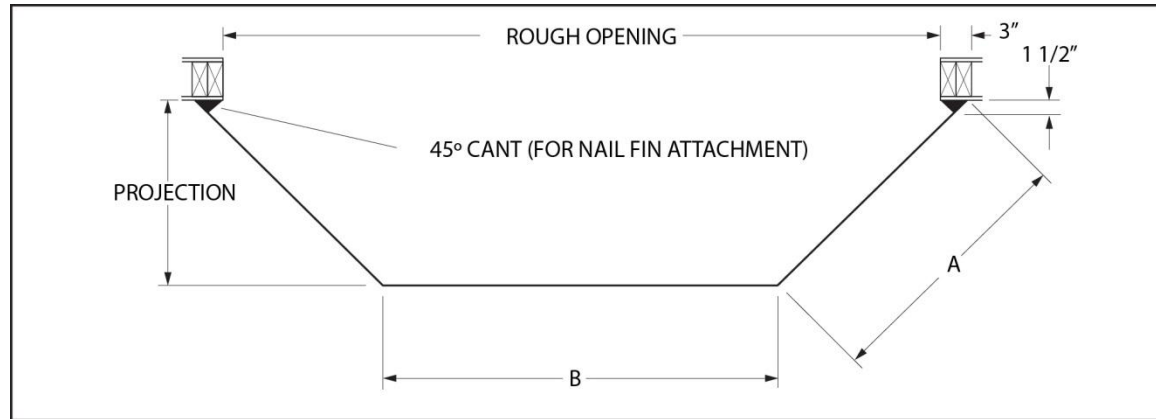
Units
Inch

File Name
Tuscany_Bay_framing_detail

Series #

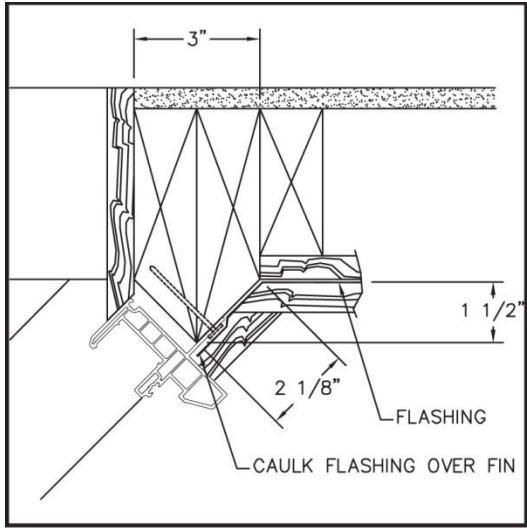
Revision Date
10/31/2014

More Technical Documents can be found at milgard.com/professionals
Due to continual research and development, details may be changed at any time. ©2014 Milgard Mfg.

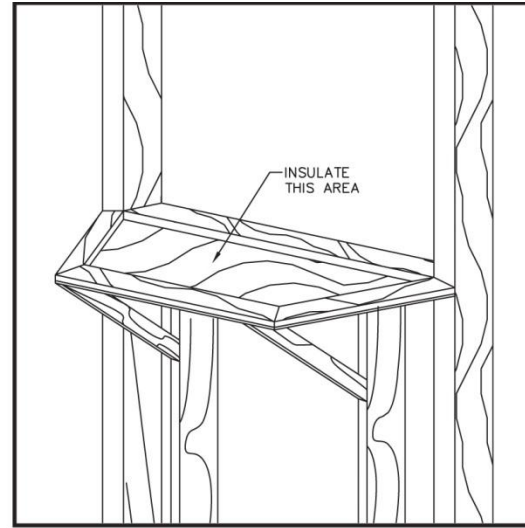


1" Fin Setback	18" Flankers – 14-11/16" Projection B=R.O. minus 23-3/8"			24" Flankers – 18-15/16" Projection B=R.O. minus 31-7/8"			30" Flankers – 23-3/16" Projection B=R.O. minus 40-3/8"		
	R.O. Width	A	B	R.O. Width	A	B	R.O. Width	A	B
	48"	20-13/16"	24-5/8"	60"	26-13/16"	28-1/8"	72"	32-13/16"	31-5/8"
	60"	20-13/16"	36-5/8"	72"	26-13/16"	40-1/8"	84"	32-13/16"	43-5/8"
	72"	20-13/16"	48-5/8"	84"	26-13/16"	52-1/8"	96"	32-13/16"	55-5/8"
	80"	20-13/16"	60-5/8"	96"	26-13/16"	64-1/8"	108"	32-13/16"	67-5/8"

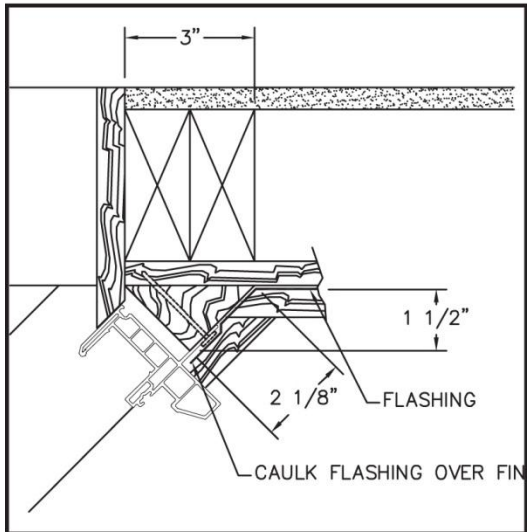
1-3/8" Fin Setback	18" Flankers – 14-5/8" Projection B=R.O. minus 23-3/16"			24" Flankers – 18-7/8" Projection B=R.O. minus 31-11/16"			30" Flankers – 23-1/8" Projection B=R.O. minus 40-3/16"		
	R.O. Width	A	B	R.O. Width	A	B	R.O. Width	A	B
	48"	20-5/8"	24-13/16"	60"	26-5/8"	28-5/16"	72"	32-5/8"	31-13/16"
	60"	20-5/8"	36-13/16"	72"	26-5/8"	40-5/16"	84"	32-5/8"	43-13/16"
	72"	20-5/8"	48-13/16"	84"	26-5/8"	52-5/16"	96"	32-5/8"	55-13/16"
	80"	20-5/8"	60-13/16"	96"	26-5/8"	64-5/16"	108"	32-5/8"	67-13/16"



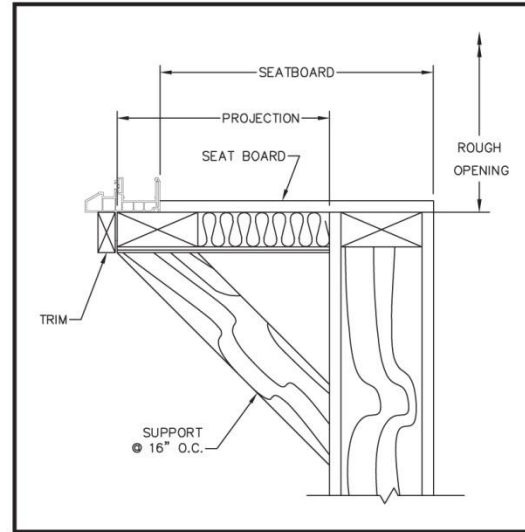
JAMB FIN DETAIL



SILL DETAIL PROJECTION



ALTERNATE JAMB FIN DETAIL



SILL DETAIL (HEAD IS SIMILAR)