

Cross Section Drawing

Tuscany Bay Window

1" Fin Setback w/ Stucco Key

CAD File Scale
NTS

View
Horizontal & Vertical

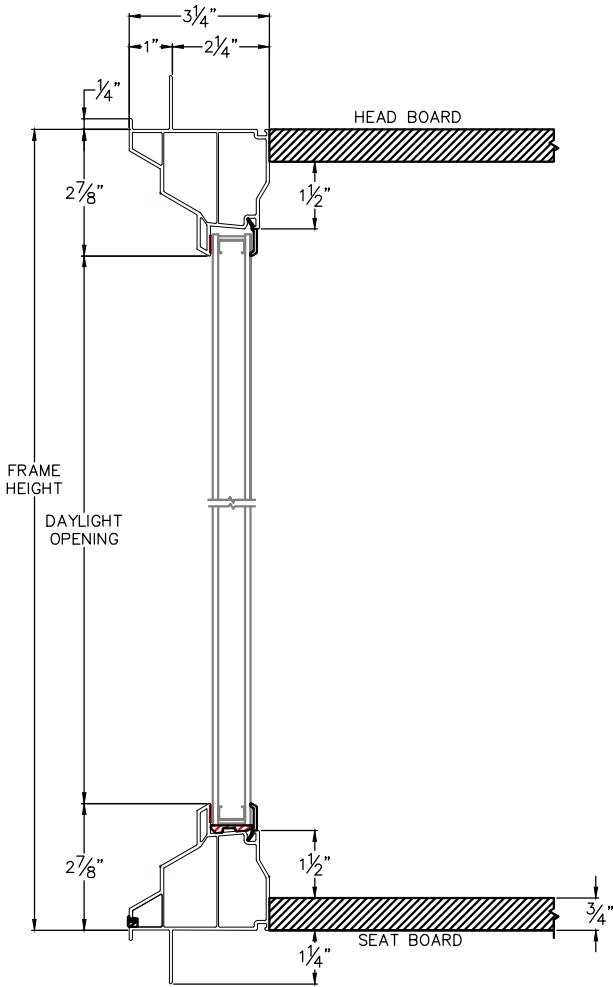
File Name
Tuscany_8000_Bay_1in

Units
Inch

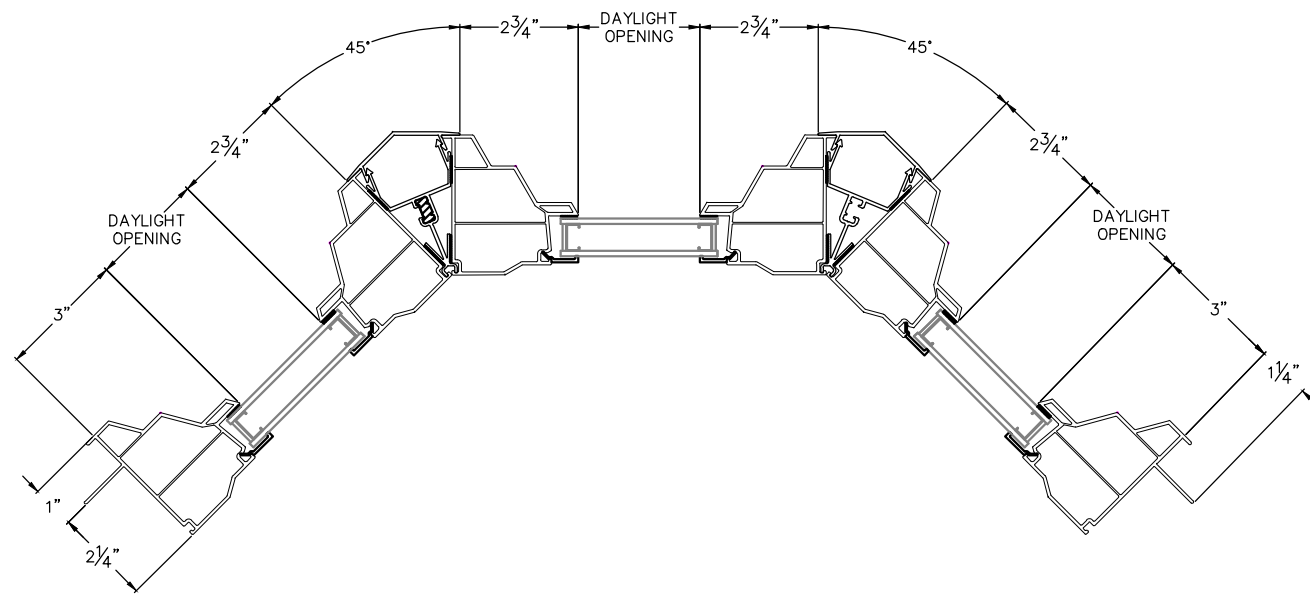
More Technical Documents can be found at milgard.com/professionals
Due to continual research and development, details may be changed at any time. ©2013 Milgard Mfg.

BAY WINDOW

SERIES 8000



HEAD & SILL



JAMBS