

Cross Section Drawing

Tuscany Double Hung Window, w/ Sloped Sill Adapter Block Frame



CAD File Scale
NTS

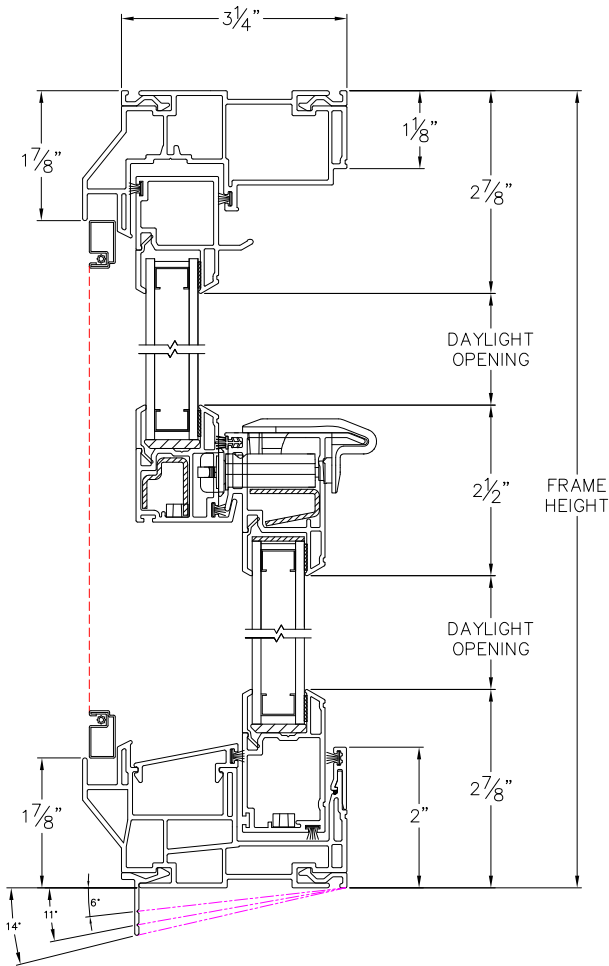
View
Horizontal & Vertical

File Name
Tuscany_8225T_DH_sloped-sill-adapter

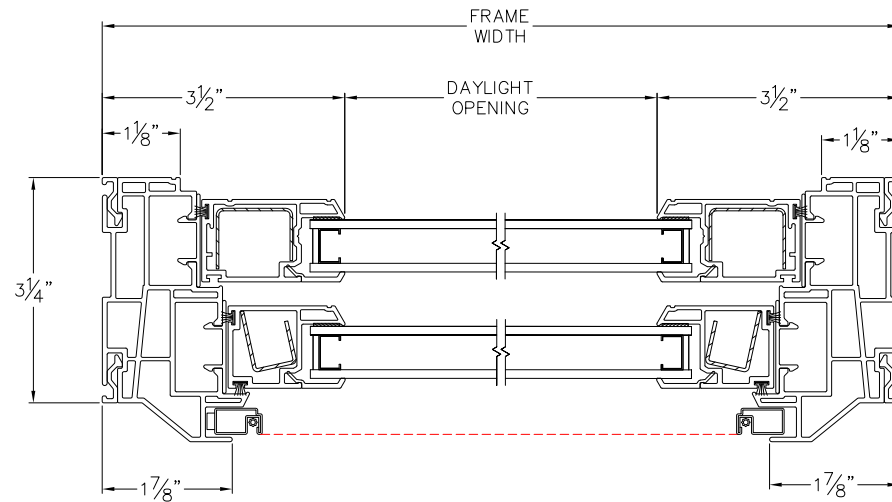
Units
Inch

More Technical Documents can be found at milgard.com/professionals
Due to continual research and development, details may be changed at any time. ©2013 Milgard Mfg.

DOUBLE HUNG SERIES 8225



HEAD & SILL



JAMBS