

Cross Section Drawing

Tuscany Horizontal Slider Below Window 1 3/8" Frame



CAD File Scale
NTS

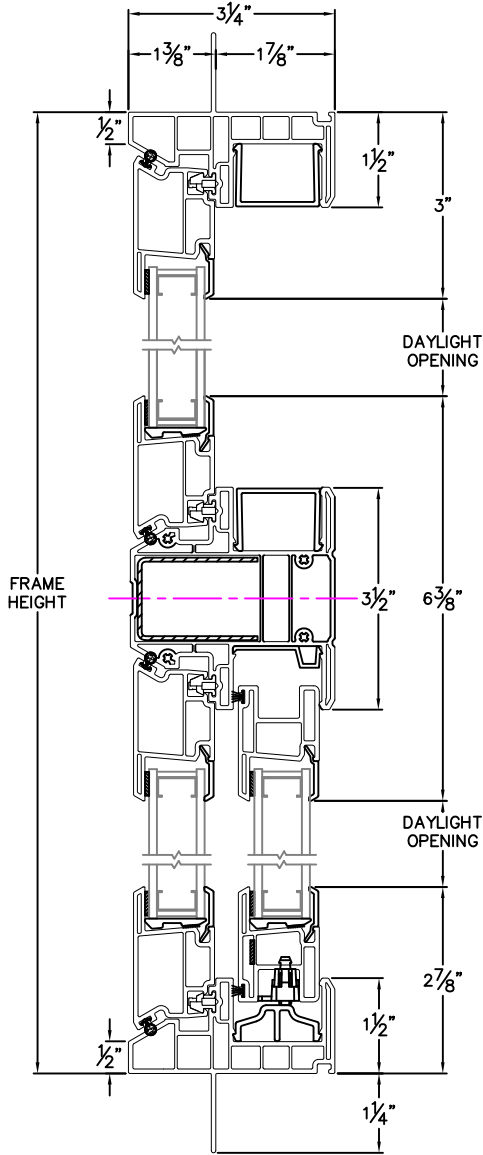
View
Horizontal & Vertical

File Name
Tuscany_8120T_HVB_1.375in

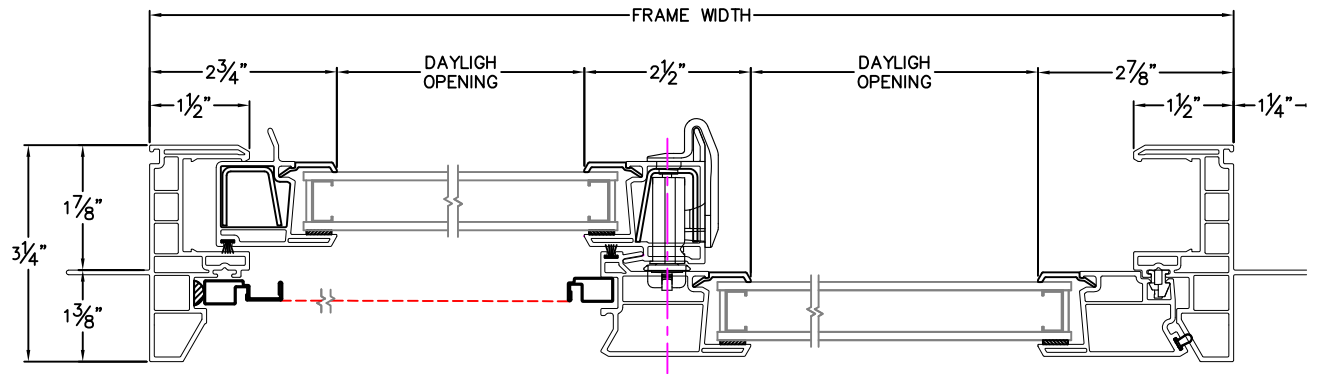
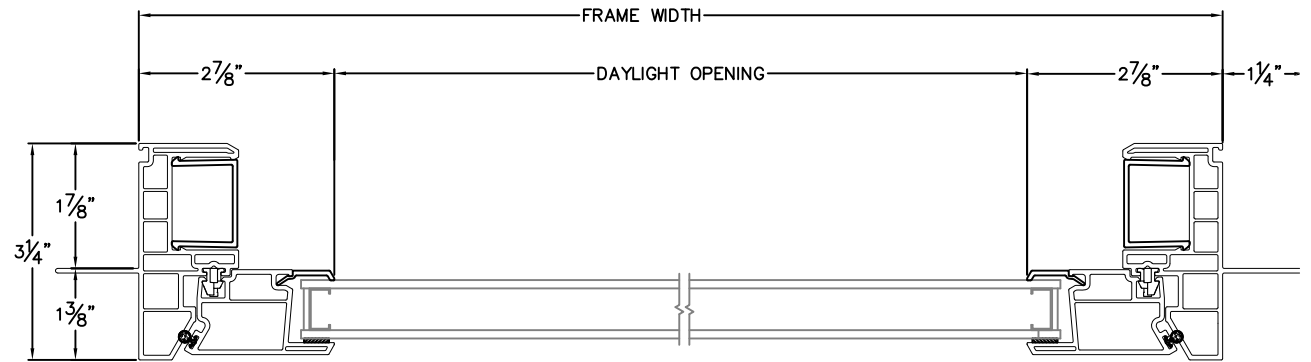
Units
Inch

More Technical Documents can be found at milgard.com/professionals
Due to continual research and development, details may be changed at any time. ©2013 Milgard Mfg.

HALF VENT BELOW SERIES 8120T



HEAD & SILL



JAMBS