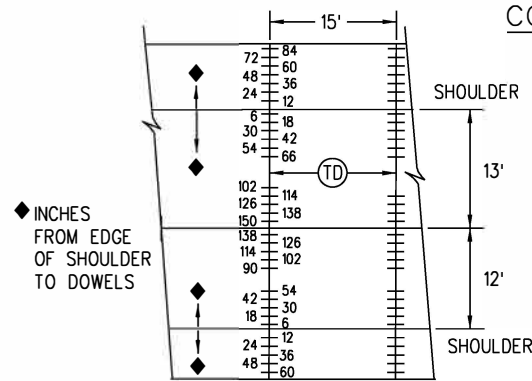
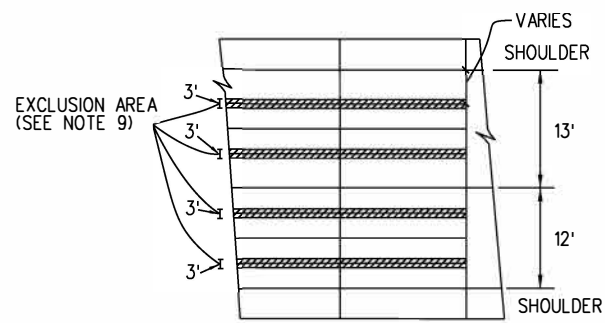


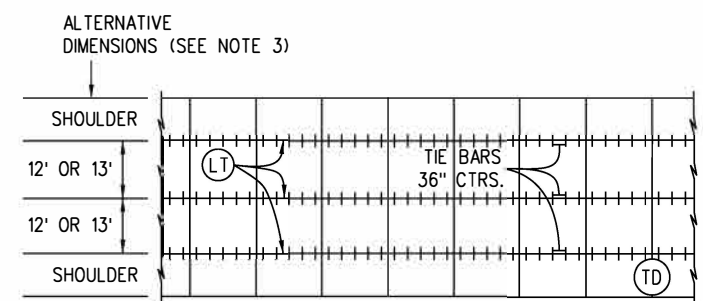
TYPICAL JOINT LAYOUT FOR CONCRETE ROADWAY WITH CONCRETE SHOULDERS



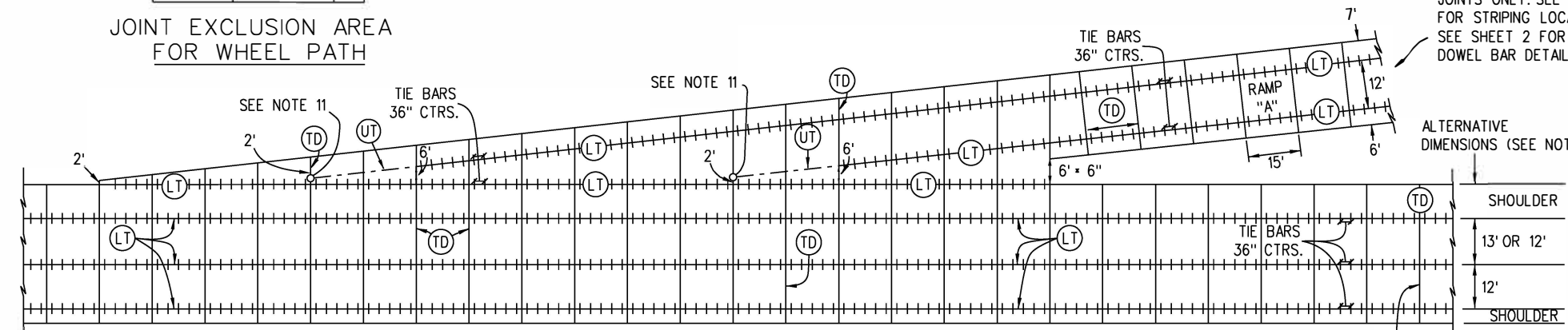
TD JOINT WITH 13 FT. AND 12 FT. WIDE SLABS



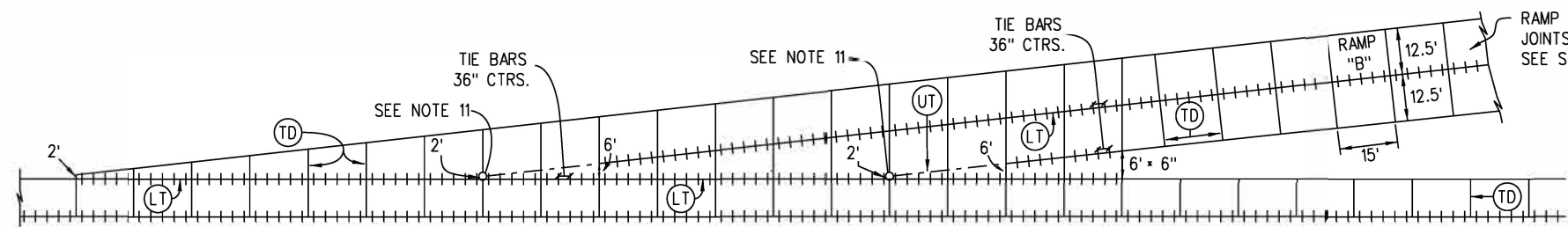
JOINT EXCLUSION AREA FOR WHEEL PATH



RURAL TWO-LANE



MULTI-LANE WITH SPEED CHANGE LANE AND CONCRETE SHOULDERS



OPTIONAL LONGITUDINAL JOINT IN CENTER FOR SINGLE LANE SPEED CHANGE LANE

GENERAL NOTES

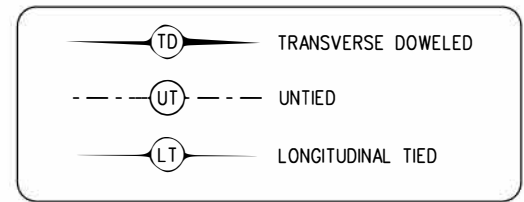
1. THIS STANDARD PLAN DOES NOT APPLY TO THIN CONCRETE OVERLAYS (WHITETOPPING).
2. LONGITUDINAL JOINT SHALL BE PLACED ADJACENT TO LANE MARKINGS WHEN POSSIBLE AND HAVE A MAXIMUM SPACING OF 13 FT.
3. THIS JOINT LAYOUT SHALL BE USED AS A STANDARD OF THE JOINT LAYOUT FOR THE PROJECT. IF THE CONTRACTOR PROPOSES VARIATIONS FROM THIS STANDARD OR THE PROJECT HAS UNUSUAL OR IRREGULAR CONDITIONS NOT COVERED HEREIN, THE CONTRACTOR SHALL PREPARE A PAVEMENT JOINT LAYOUT FOR APPROVAL BY THE ENGINEER. SLABS 13 FEET IN WIDTH SHALL BE CONSTRUCTED ONLY WHERE DESIGNATED ON THE PLANS.
4. ON MULTILANE DIVIDED HIGHWAYS, THE MULTILANE DIRECTIONAL PAVEMENT AND BOTH SHOULDERS SHALL BE PLACED WITH (LT) LONGITUDINAL CONTRACTION JOINTS.
5. ON MULTILANE DIVIDED HIGHWAYS SEPARATED BY A CONCRETE BARRIER, A (UT) JOINT SHALL BE CONSTRUCTED AT ONE OF THE BARRIER FACES.
6. (UT) JOINTS SHALL BE CONSTRUCTED BETWEEN THE TWO OPPOSING DIRECTIONS OF TRAVEL ON A MULTILANE UNDIVIDED HIGHWAY WHEN ALL OF THE FOLLOWING APPLY:
 - A. PAVEMENT IS CONTINUOUS ACROSS BOTH DIRECTIONS OF TRAVEL.
 - B. THERE IS NO MEDIAN BARRIER.
 - C. THE WIDTH OF THE PAVEMENT IN ONE DIRECTION IS GREATER THAN 80 FEET.
7. ON VARIABLE WIDTH SLABS, THE 2 FEET OR 4 FEET END OF SLAB WIDTH DIMENSION MAY VARY ±6 INCHES.
8. ON CORE PANEL WIDTHS LESS THAN 6 FEET TIE BARS SHALL BE ELIMINATED ON THE SIDE ADJACENT TO THE RAMP.
9. NO JOINTS SHALL BE PLACED WITHIN 1.5 FEET OF EITHER SIDE OF THE CENTER OF THE WHEEL PATH. WHEELPATH IS DEFINED PER SUBSECTION 101.02.
10. THE TICK MARKS FOR TIE BAR LINE TYPE ARE FOR ILLUSTRATIVE PURPOSES ONLY AND DO NOT REPRESENT ACTUAL TIE BAR LOCATIONS. SEE M-412-1 SHEET 5 OF 9 FOR TIE BAR PLACEMENT LOCATIONS.
11. IF A JOINT IS NOT CONTINUOUS INTO AN ADJACENT SLAB, A JOINT TERMINATION CORE (SEE SHEET 5) SHALL BE CONSTRUCTED USING 4 INCH PVC PIPE FILLED WITH AN APPROVED NON-SHRINK GROUT OR BOND BREAKER FILLED WITH AN APPROVED NON-SHRINK GROUT.

RAMP AND SPEED CHANGE LANE DIMENSIONING FOR JOINTS ONLY. SEE PLANS FOR STRIPING LOCATIONS. SEE SHEET 2 FOR RAMP DOWEL BAR DETAILS.

ALTERNATIVE DIMENSIONS (SEE NOTE 3)

JOINT LEGEND

(SEE SHEET 5 FOR JOINT DETAILS)



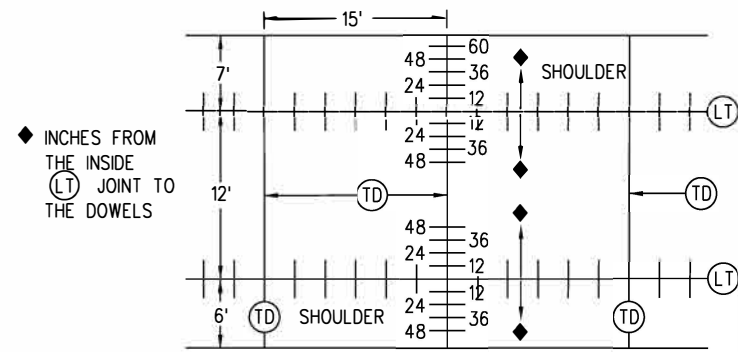
Computer File Information	
Creation Date:	07/31/19
Designer Initials:	JBK
Last Modification Date:	01/31/22
Detailer Initials:	LTA/HMG
CAD Ver.:	MicroStation V8 Scale: Not to Scale Units: English

Sheet Revisions	
Date:	Comments
(R-X) 01/31/22	Revised all sheets.
(R-X)	
(R-X)	
(R-X)	

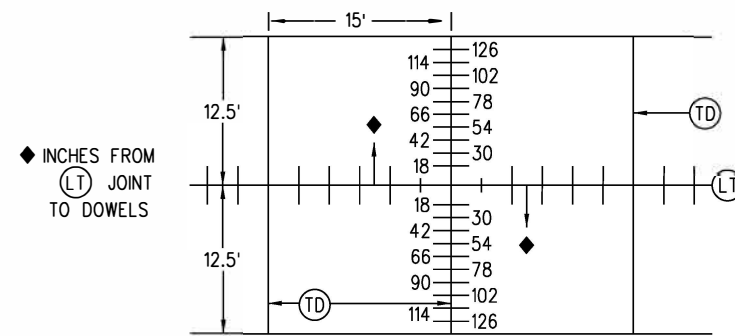
Colorado Department of Transportation
 2829 West Howard Place
 CDOT HQ, 3rd Floor
 Denver, CO 80204
 Phone: 303-757-9021 FAX: 303-757-9868
 Construction Engineering Services JBK

CONCRETE PAVEMENT JOINTS
 Issued by the Project Development Branch: July 31, 2019

STANDARD PLAN NO. M-412-1
Standard Sheet No. 1 of 9
 Project Sheet Number:

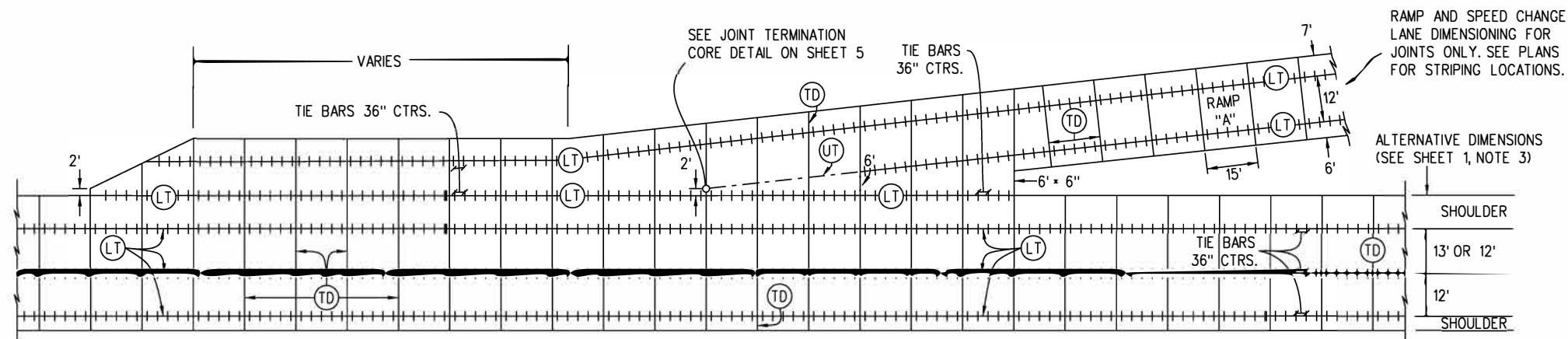
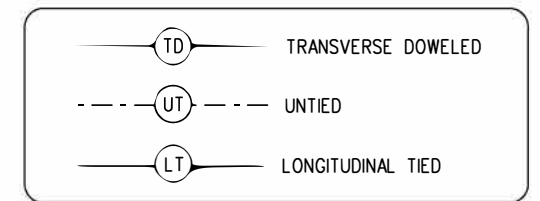


RAMP "A" DOWEL BAR DETAIL FOR TD JOINT WITH A 12 FT. LANE

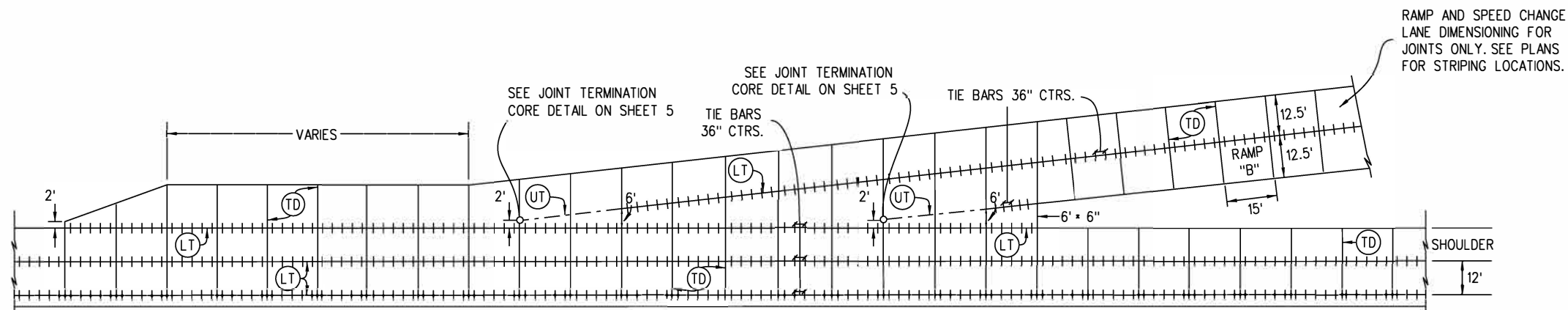


RAMP "B" DOWEL BAR DETAIL FOR TD JOINT WITH CENTER LONGITUDINAL SPLIT LANE

JOINT LEGEND
(SEE SHEET 5 FOR JOINT DETAILS)



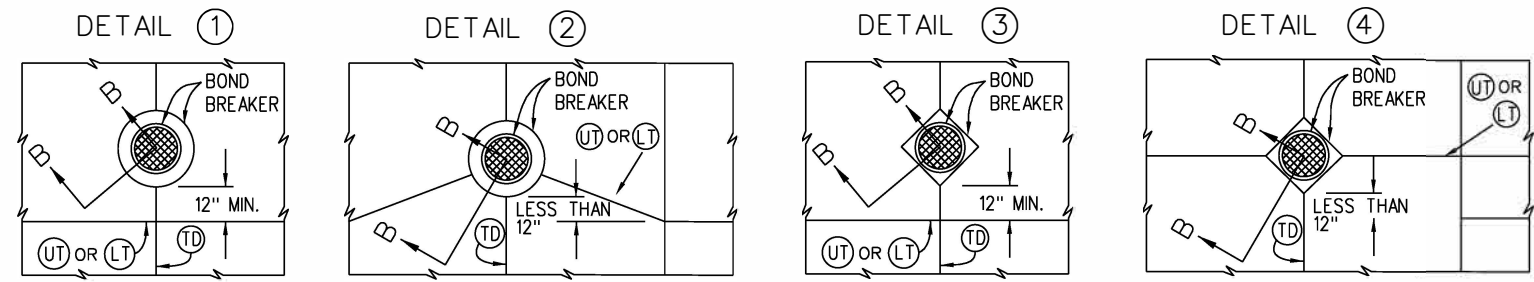
MULTI-LANE WITH ACCELERATION AND DECELERATION LANES AND CONCRETE SHOULDERS



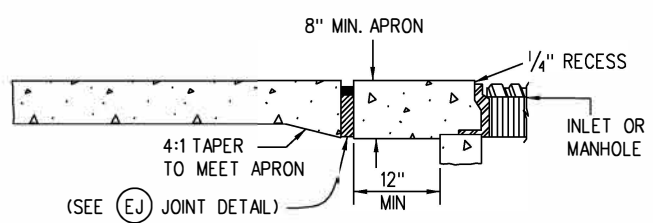
OPTIONAL LONGITUDINAL JOINT IN CENTER FOR SINGLE LANE ACCELERATION AND DECELERATION LANE

Computer File Information		Sheet Revisions		Colorado Department of Transportation 2829 West Howard Place CDOT HQ, 3rd Floor Denver, CO 80204 Phone: 303-757-9021 FAX: 303-757-9868 Construction Engineering Services JBK	<h1>CONCRETE PAVEMENT JOINTS</h1>	STANDARD PLAN NO.
Creation Date: 07/31/19	(R-X)	Date: 01/31/22	Comments: Revised all sheets.			M-412-1
Designer Initials: JBK	(R-X)					Standard Sheet No. 2 of 9
Last Modification Date: 01/31/22	(R-X)					Project Sheet Number:
Detailer Initials: LTA/HMG	(R-X)					
CAD Ver.: MicroStation V8 Scale: Not to Scale Units: English		(R-X)			Issued by the Project Development Branch: July 31, 2019	

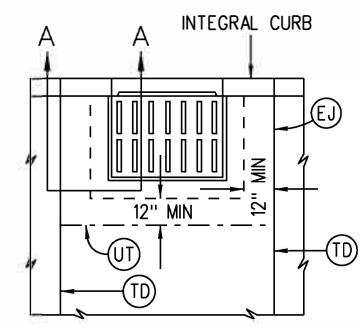
NOTES



INLET OR MANHOLE CAST IN PAVEMENT

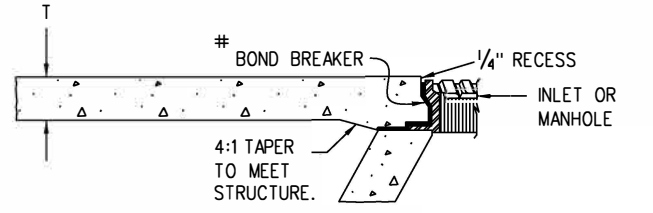


SECTION A-A



CURB INLET BOXOUT

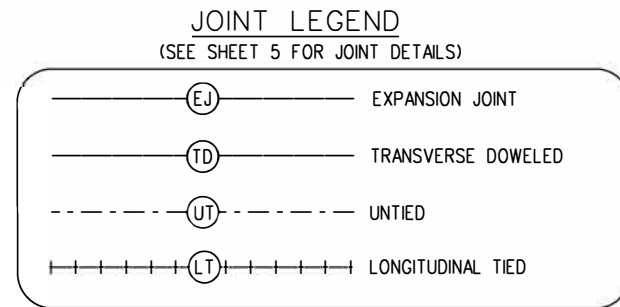
INSTALL TRANSVERSE JOINT AT BOTH BOXOUT CORNERS IF BOXOUT IS 8 FT. OR LONGER.



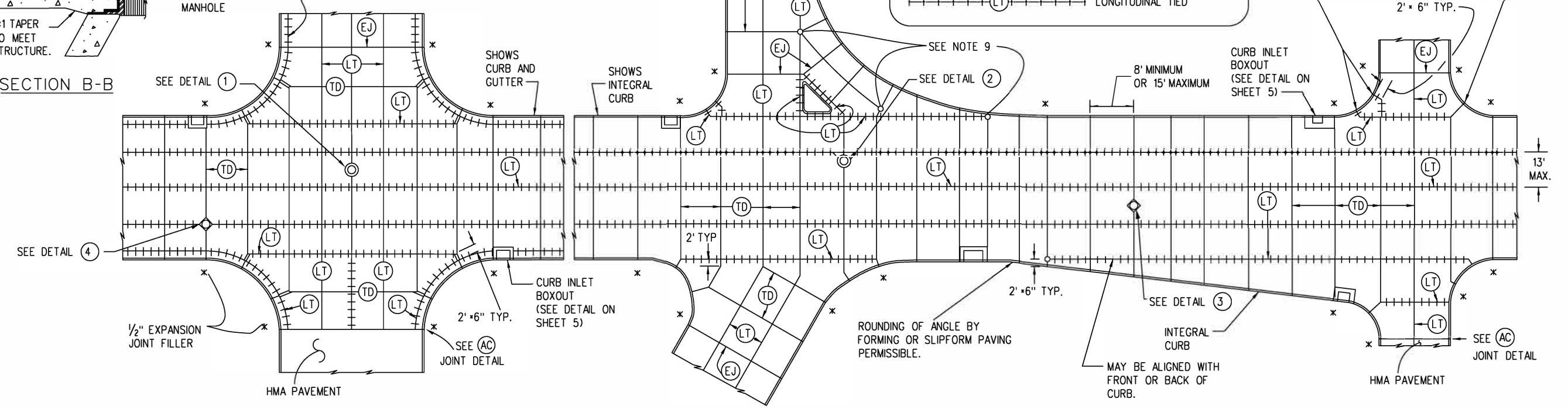
SECTION B-B

BOND BREAKER SHALL BE COMPOSED OF PLASTIC SHEET, BUILDING PAPER OR OTHER APPROVED MATERIAL THAT PREVENTS BONDING.

JOINT IS NOT REQUIRED IF CURB AND GUTTER IS POURED MONOLITHICALLY WITH ADJACENT LANE.



JOINT LEGEND (SEE SHEET 5 FOR JOINT DETAILS)



TYPICAL CURBED PAVEMENT JOINT LAYOUT

1. LONGITUDINAL JOINTS SHALL BE PLACED ADJACENT TO LANE MARKINGS WHEN POSSIBLE AND HAVE A MAXIMUM SPACING OF 13 FEET (15 FEET IS PERMITTED WITH MONOLITHIC CURB AND GUTTER).
2. CONSTRUCT TRANSVERSE JOINTS PERPENDICULAR TO THE CENTERLINE OF PAVEMENT AND EXTEND THROUGH THE CURB OR CURB AND GUTTER.
- * 3. PLACE 1/2 INCH MINIMUM EXPANSION JOINT FILLER IN FULL DEPTH CURB JOINT AT INTERSECTION RETURN RADIUS POINTS.
4. THE CONTRACTOR SHALL, UNLESS OTHERWISE SHOWN ON THE PLANS, SELECT AND USE A BOND BREAKER AT INLETS, MANHOLES AND SIMILAR SIZE STRUCTURES. SMALLER STRUCTURES SUCH AS VALVE AND MONUMENT BOXES SHALL NOT REQUIRE A BOND BREAKER.
5. WHERE A LONGITUDINAL JOINT PASSES LESS THAN 1 FOOT FROM A CAST-IN-PAVEMENT MANHOLE OR SIMILAR SIZE STRUCTURE, INSTALL JOINT AS SHOWN IN DETAILS 1 THROUGH 4.
6. TRANSVERSE JOINTS SHALL EITHER INTERSECT THE CENTER OF CIRCULAR MANHOLES AND INLETS OR BE AT LEAST 4 FEET AWAY FROM THE EDGE OF CIRCULAR MANHOLES. SEE CURB INLET BOXOUT DETAIL.
7. WHEN THE SHORT RUN OF THE TRANSVERSE JOINT IS LESS THAN THREE FEET WIDE, ELIMINATE DOWELS.
8. THE TICK MARKS FOR TIE BAR LINE TYPE ARE FOR ILLUSTRATIVE PURPOSES ONLY AND DO NOT REPRESENT ACTUAL TIE BAR LOCATIONS. SEE M-412-1 SHEET 5 OF 9 FOR TIE BAR PLACEMENT LOCATIONS.
9. IF A JOINT IS NOT CONTINUOUS INTO AN ADJACENT SLAB, A JOINT TERMINATION CORE (SEE SHEET 5) SHALL BE CONSTRUCTED USING 4" PVC PIPE FILLED WITH AN APPROVED NON-SHRINK GROUT OR BOND BREAKER FILLED WITH AN APPROVED NON-SHRINK GROUT.

Computer File Information	
Creation Date:	07/31/19
Designer Initials:	JBK
Last Modification Date:	01/31/22
Detailer Initials:	LTA/HMG
CAD Ver.:	MicroStation V8
Scale:	Not to Scale
Units:	English

Sheet Revisions	
Date:	Comments
(R-X) 01/31/22	Revised all sheets.
(R-X)	
(R-X)	
(R-X)	

Colorado Department of Transportation
 2829 West Howard Place
 CDOT HQ, 3rd Floor
 Denver, CO 80204
 Phone: 303-757-9021 FAX: 303-757-9868
 Construction Engineering Services JBK

**CONCRETE
PAVEMENT JOINTS**

Issued by the Project Development Branch: July 31, 2019

STANDARD PLAN NO. M-412-1 Standard Sheet No. 3 of 9 Project Sheet Number:

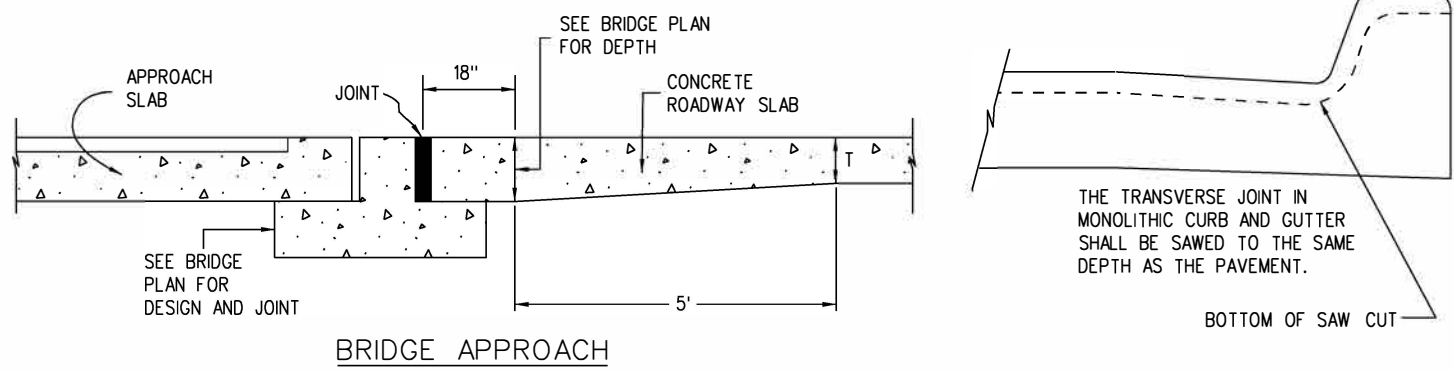
NOTE

1. PAVEMENT THICKNESS (T), SHALL BE AS SHOWN ON THE PLANS.

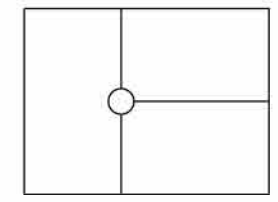
REINFORCING SIZE TABLE

TIE BAR SIZE IS NO. 5 WHEN PAVEMENT IS PLACED ON UNBOUND BASES.
 TIE BAR IS NO. 6 WHEN PAVEMENT IS PLACED ON LIME TREATED SOIL, ASPHALT OR CEMENT TREATED, MILLED ASPHALT, OR RECYCLED ASPHALT BASES.

PAVEMENT THICKNESS (T)	DOWEL BAR DIAMETER
7 IN. < T < 8 IN.	1 IN.
8 IN. < T < 10 IN.	1.25 IN.
10 IN. < T < 15 IN.	1.50 IN.

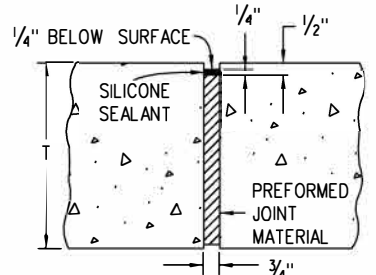


BRIDGE APPROACH

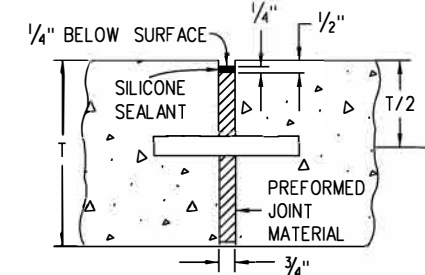


JTC
JOINT TERMINATION CORE

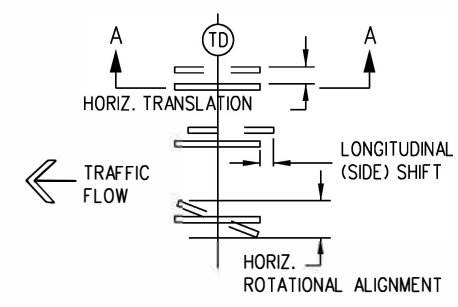
4" PVC PIPE FILLED WITH APPROVED NON-SHRINK GROUT OR BOND BREAKER FILLED WITH APPROVED NON-SHRINK GROUT



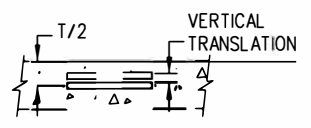
EJ
EXPANSION JOINT



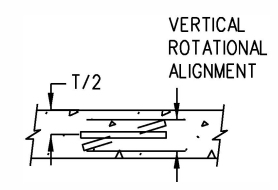
DE
DOWELED EXPANSION JOINT



PLAN VIEW
 SHOWING HORIZ. TRANSLATION, LONGITUDINAL (SIDE) SHIFT AND HORIZ. ROTATIONAL ALIGNMENT



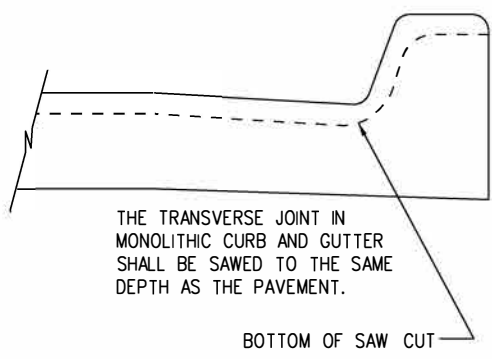
SECTION A-A
 SHOWING VERTICAL TRANSLATION TOLERANCE



SECTION A-A
 SHOWING VERTICAL ROTATIONAL ALIGNMENT

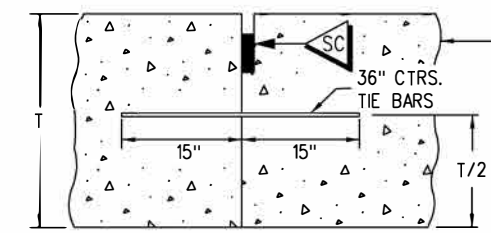
T IS PAVEMENT THICKNESS FROM PLANS

DETAILS ILLUSTRATING DOWEL PLACEMENT TOLERANCES
 SEE SUBSECTION 412.13(b)2 FOR ALLOWED TOLERANCE VALUES.



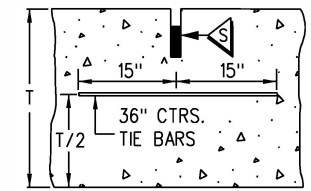
THE TRANSVERSE JOINT IN MONOLITHIC CURB AND GUTTER SHALL BE SAWED TO THE SAME DEPTH AS THE PAVEMENT.

BOTTOM OF SAW CUT

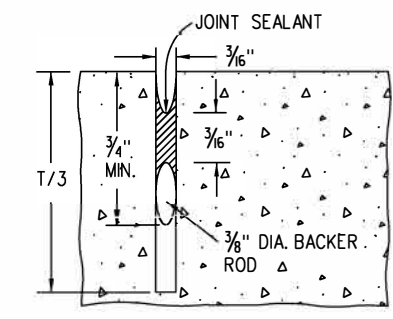


LT
LONGITUDINAL TIED JOINT

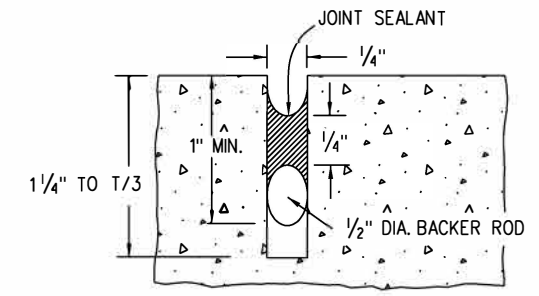
A KEYWAY IS ALLOWED TO FACILITATE USE OF BENT TIE BARS OR APPROVED TWO PIECE CONNECTORS



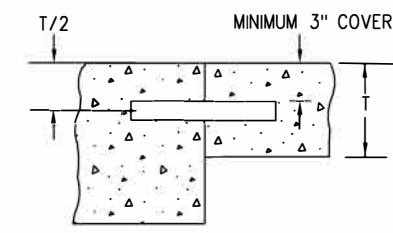
LT
SAWED LONGITUDINAL JOINT
 (LONGITUDINAL WEAKENED PLANE JOINT)



SAWED JOINT
 *** USE T/4 WHEN T < 8 IN.

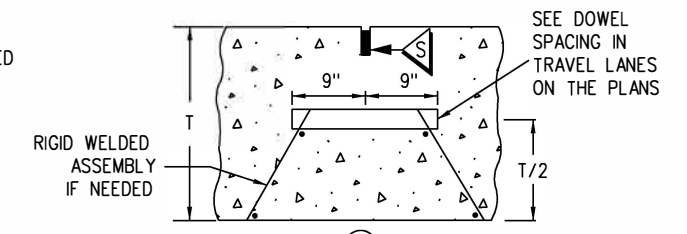


SEAL AT CONSTRUCTION JOINT



DOWEL AND TIE BAR PLACEMENT FOR VARYING PAVEMENT THICKNESSES

DOWEL BAR SIZING SHALL BE DETERMINED BY THE THICKEST SLAB DEPTH.



TD
DOWELED TRANSVERSE CONSTRUCTION OR CONTRACTION JOINT
 (TRANSVERSE WEAKENED PLANE JOINT)

Computer File Information

Creation Date: 07/31/19	(R-X)
Designer Initials: JBK	(R-X)
Last Modification Date: 01/31/22	(R-X)
Detailer Initials: LTA/HMG	(R-X)
CAD Ver.: MicroStation V8 Scale: Not to Scale Units: English	(R-X)

Sheet Revisions

Date:	Comments
01/31/22	Revised all sheets.

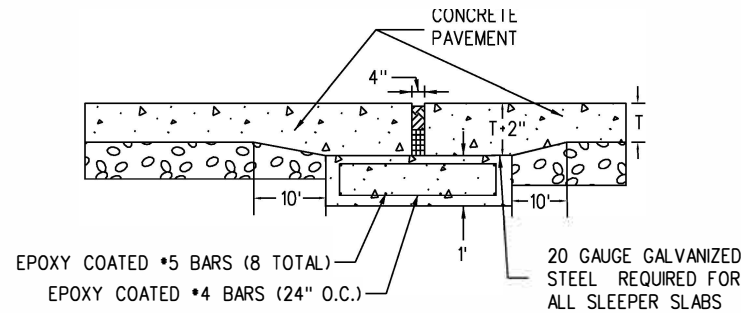
Colorado Department of Transportation
 2829 West Howard Place
 CDOT HQ, 3rd Floor
 Denver, CO 80204
 Phone: 303-757-9021 FAX: 303-757-9868
 Construction Engineering Services JBK

CONCRETE PAVEMENT JOINTS

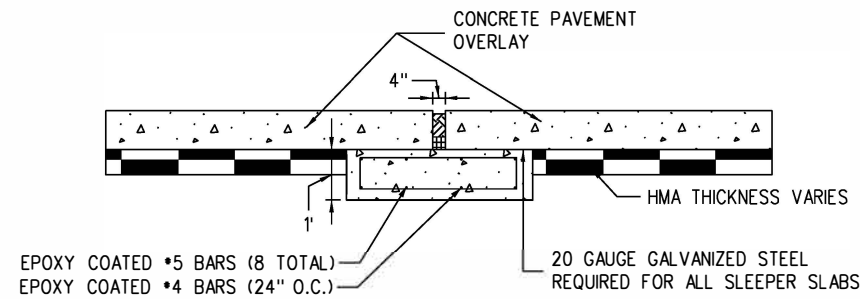
Issued by the Project Development Branch: July 31, 2019

STANDARD PLAN NO.

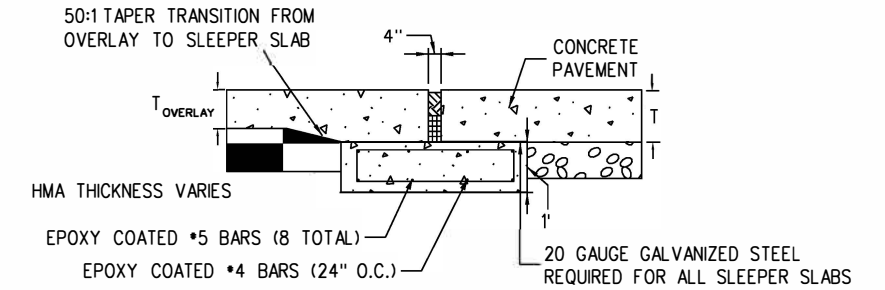
M-412-1
Standard Sheet No. 5 of 9
 Project Sheet Number:



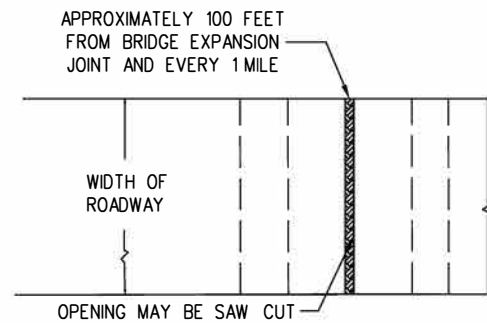
PCCP EXPANSION JOINT



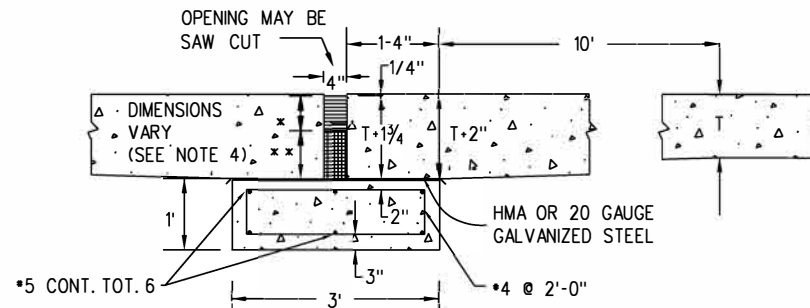
PCCP OVERLAY EXPANSION JOINT



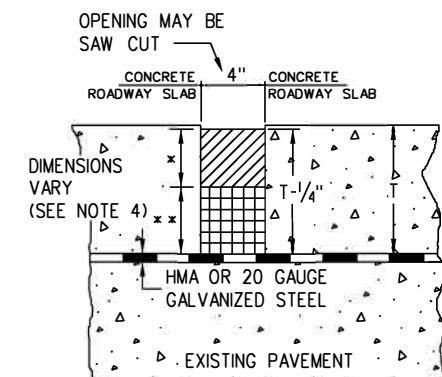
PCCP OVERLAY TO EXISTING PCCP TRANSITION WITH EXPANSION JOINT



SLEEPER SLAB PLAN VIEW

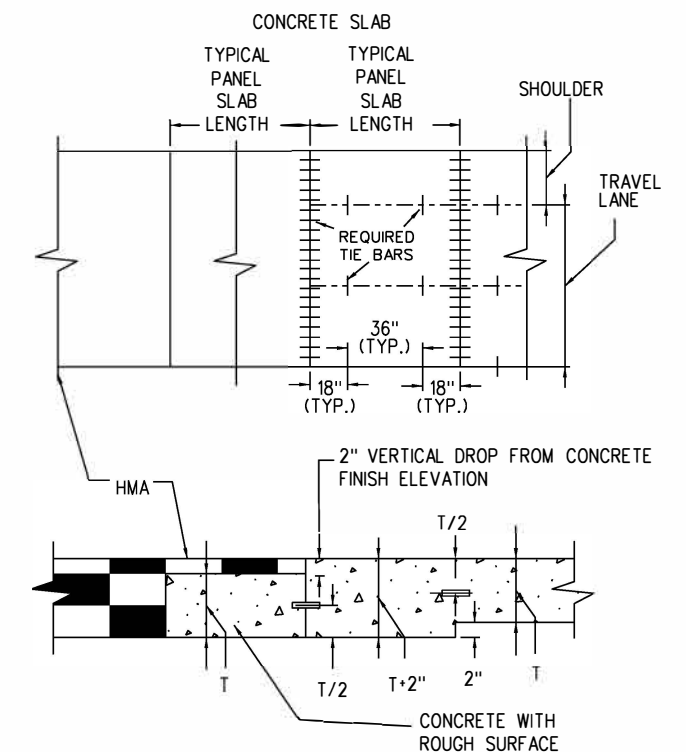


SLEEPER SLAB PROFILE VIEW



EXPANSION JOINT DETAIL

NOT TO SCALE



ASPHALT TO CONCRETE TRANSITION

NOT TO SCALE

NOTES

1. CONCRETE EXPANSION JOINTS SHALL BE REQUIRED AT THE LOCATIONS SHOWN. SLEEPER SLABS FOR THE CONCRETE EXPANSIONS SHALL BE CLASS D OR P CONCRETE. REINFORCING STEEL SHALL BE GRADE 60 EPOXY COATED. THE COST OF THE CONCRETE, REINFORCING STEEL, AND GALVANIZED STEEL SHALL NOT BE PAID FOR SEPARATELY BUT SHALL BE INCLUDED IN THE COST OF ITEM 412 CONCRETE PAVEMENT BID ITEM.
2. AT EACH OF THE RECONSTRUCTION EXPANSION JOINTS A PIPE EDGE DRAIN SHALL BE INSTALLED PER M-605-1 OF THE M&S STANDARD PLANS. THE EDGE DRAIN SHALL CONTINUE 2 FEET BEYOND BOTH SIDES OF THE EXPANSION JOINT AND INCLUDE A TRANSVERSE UNDERDRAIN AT EACH END ON THE EDGE DRAIN. IF THE UNDERDRAIN PIPE CANNOT DRAIN OUTSIDE OF THE ROADWAY PRISM, THE PIPE EDGE DRAIN SHALL NOT BE INSTALLED. THIS WORK SHALL NOT BE PAID FOR SEPARATELY, BUT SHALL BE INCLUDED IN THE PRICE OF ITEM 412 CONCRETE PAVEMENT.

3. *4 INCH WIDE PRECOMPRESSED CHEMICALLY RESISTANT FOAM TOPPED WITH A TRAFFIC-GRADE SILICONE SEALANT SUCH AS WILLSEAL 250, WABO HSEAL, EMSEAL BEJS SYSTEM, OR AN ALTERNATIVE AS APPROVED BY THE ENGINEER AND REGION MATERIALS ENGINEER. EXPANSION JOINTS SHALL BE PLACED AT APPROXIMATELY ONE MILE INCREMENTS AS DIRECTED BY THE ENGINEER. THE COST SHALL BE INCLUDED IN ITEM 412 - PLACE CONCRETE PAVEMENT. DEPTH OF SEALANT SHALL BE BASED ON THE TABLE BELOW.

PAVEMENT THICKNESS (T)	SEALANT DEPTH (INCHES)
* 11 IN.	4
> 11 IN.	6

4. ** STYROFOAM OR OTHER MATERIAL AS APPROVED BY THE ENGINEER AND REGION MATERIALS ENGINEER.

Computer File Information

Creation Date: 07/31/19	(R-X)
Designer Initials: JBK	(R-X)
Last Modification Date: 01/31/22	(R-X)
Detailer Initials: LTA/HMG	(R-X)
CAD Ver.: MicroStation V8 Scale: Not to Scale Units: English	(R-X)

Sheet Revisions

Date:	Comments
01/31/22	Revised all sheets.

Colorado Department of Transportation
 2829 West Howard Place
 CDOT HQ, 3rd Floor
 Denver, CO 80204
 Phone: 303-757-9021 FAX: 303-757-9868
 Construction Engineering Services JBK

CONCRETE PAVEMENT JOINTS

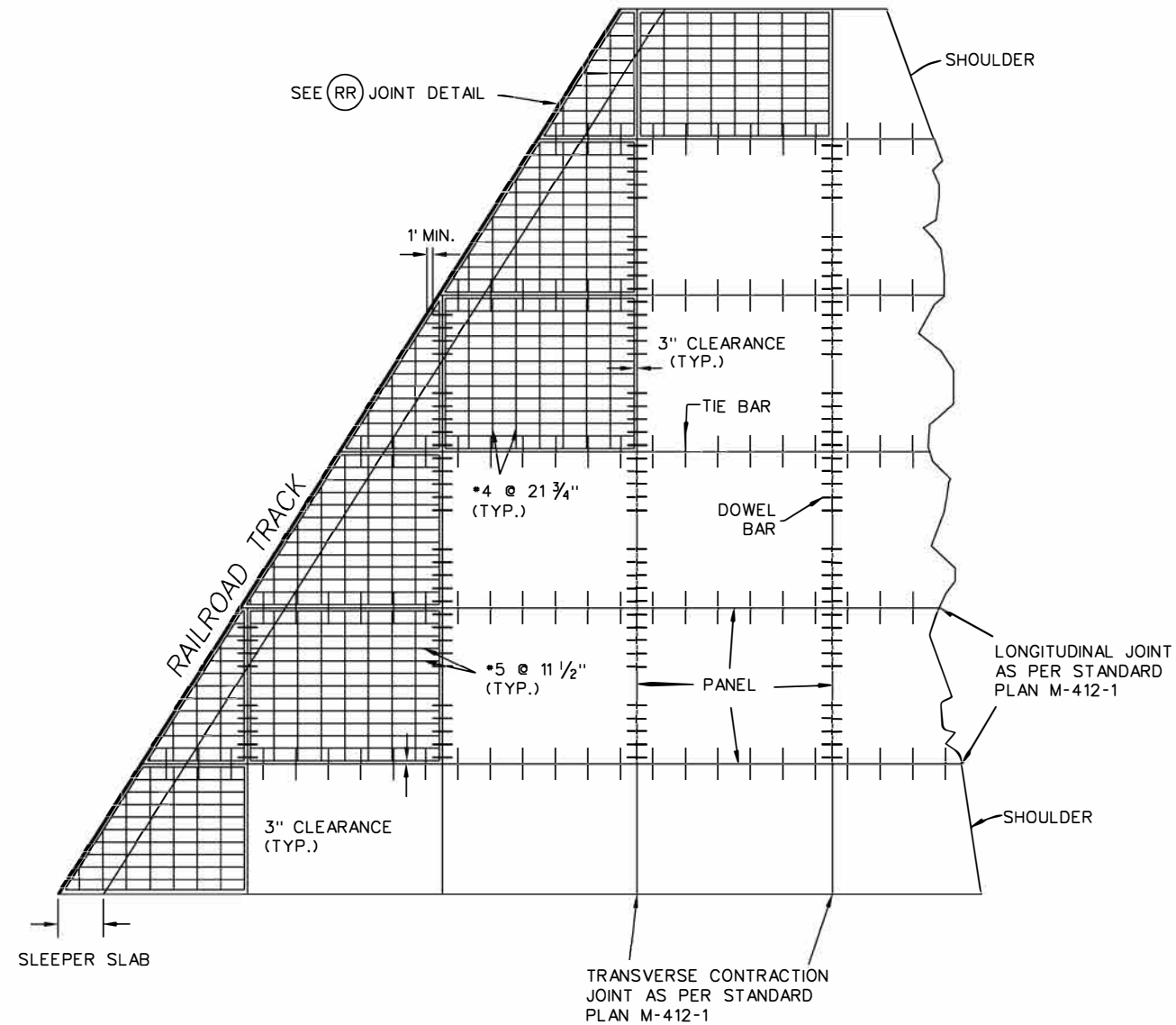
Issued by the Project Development Branch: July 31, 2019

STANDARD PLAN NO.

M-412-1

Standard Sheet No. 6 of 9

Project Sheet Number:



SKEWED RAILROAD
PLAN VIEW

NOTE ON SKEWED RAILROAD DETAILS:

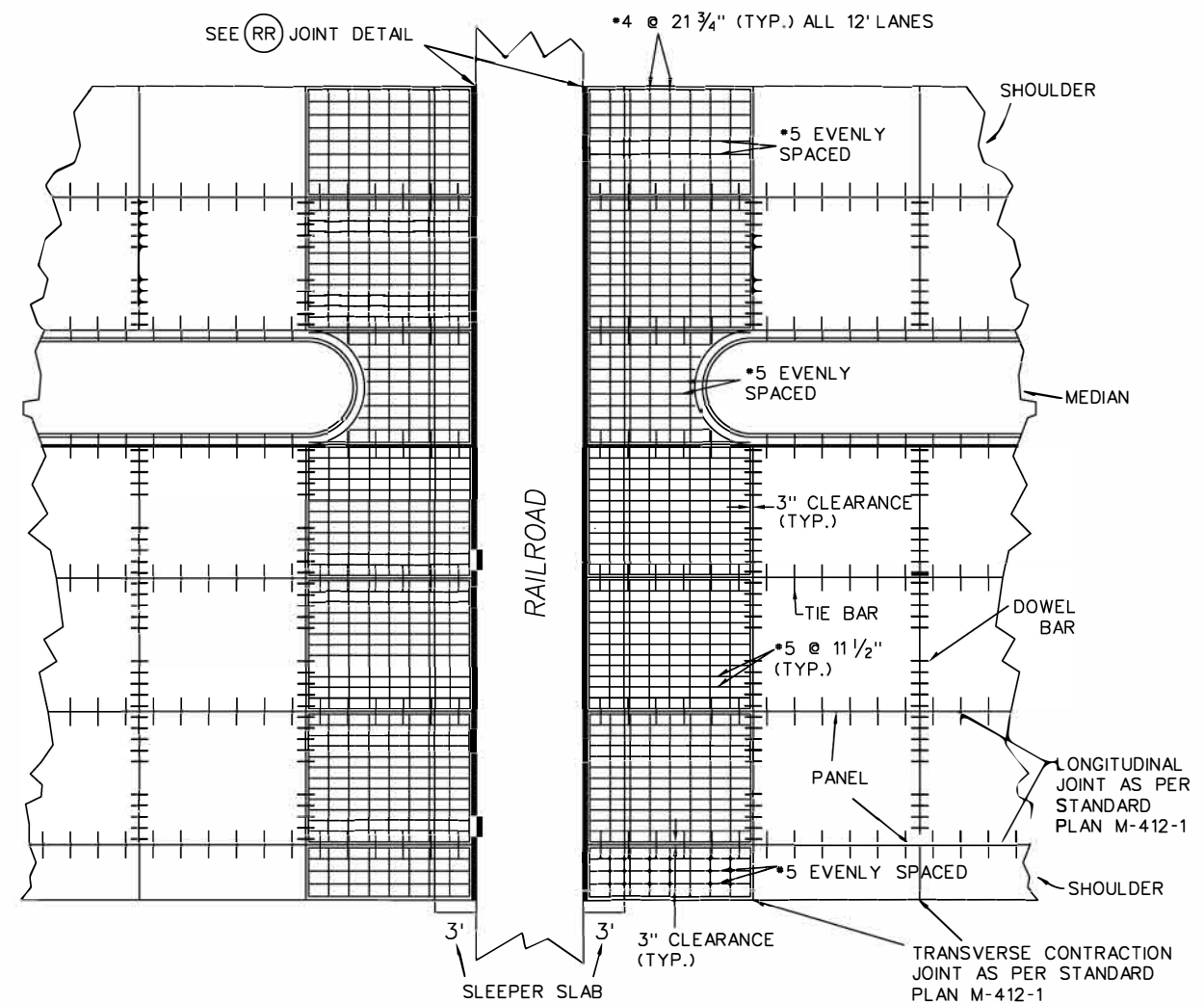
1. IF THE FIRST PANEL ADJACENT TO THE RAIL ROAD CROSSING IS LESS THAN ONE HALF THE AREA OF A NORMAL FULL PANEL, THEN THE FIRST PARTIAL PANEL AND THE NEXT FULL PANEL SHALL BE LONGITUDINALLY AND TRANSVERSLY REINFORCED AS SHOWN IN THE DETAILS. IF THE AREA OF THE FIRST PANEL ADJACENT TO THE RAIL ROAD CROSSING IS GREATER THAN ONE HALF THE AREA OF A NORMAL FULL PANEL, THEN JUST THE FIRST PARTIAL PANEL SHALL BE REINFORCED.

NOTES ON ALL RAILROAD DETAILS:

1. CONCRETE CLASS P OR CLASS D SHALL BE USED FOR THE SLEEPER SLAB.
2. GRADE 60 EPOXY COATED REINFORCING STEEL IS REQUIRED, OTHER THAN TIE AND DOWEL BARS.
3. ALL COST ASSOCIATED WITH THE REQUIREMENTS OF THESE DETAILS SHALL BE INCLUDED IN THE COST OF ITEM 412 - CONCRETE PAVEMENT (_ INCH).
4. THE CONTRACTOR SHALL PROVIDE, FOR APPROVAL, TO THE ENGINEER A DETAILED PLAN SHOWING THE JOINT CONFIGURATION A MINIMUM OF TWO WEEKS PRIOR TO THE START OF REINFORCING STEEL FABRICATION.
5. THESE DETAILS SHALL APPLY TO BOTH SIDES OF THE RAIL ROAD CROSSING, IF CONCRETE PAVEMENT IS REQUIRED.

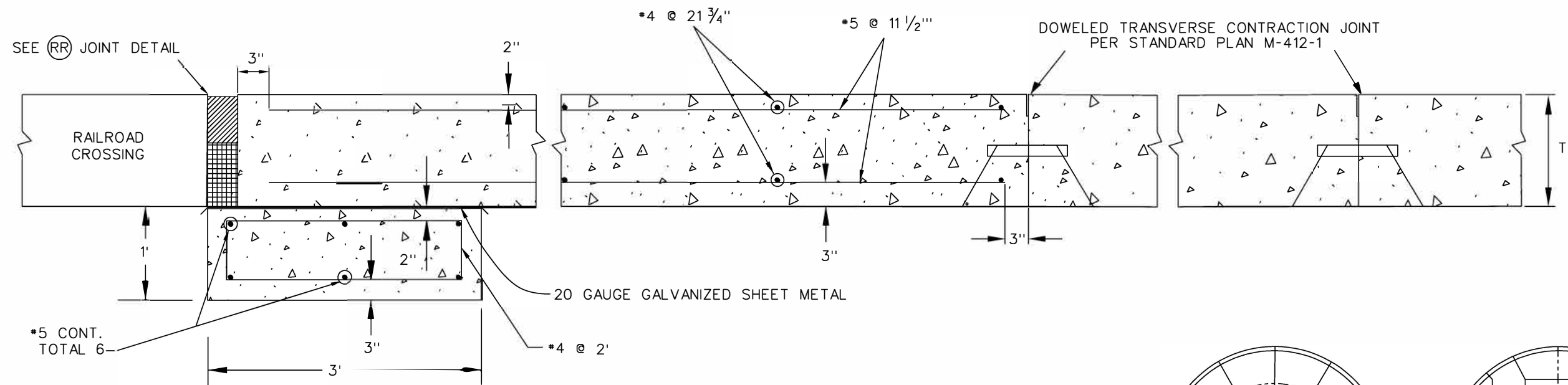
NOTE ON PERPENDICULAR RAILROAD DETAILS:

1. THE LENGTH OF THE FIRST PANEL ADJACENT TO THE RAIL ROAD SHALL BE BETWEEN 12 AND 15 FEET.

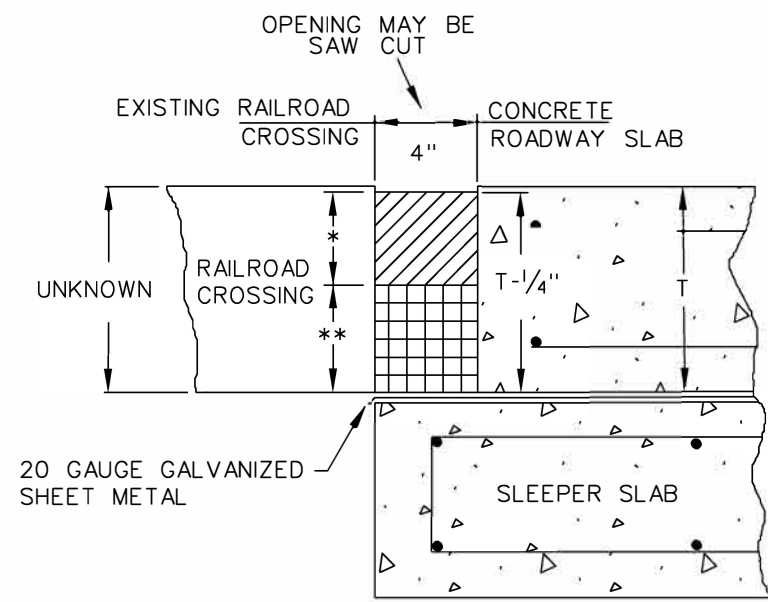


PERPENDICULAR RAILROAD PLAN VIEW

Computer File Information		Sheet Revisions		Colorado Department of Transportation 2829 West Howard Place CDOT HQ, 3rd Floor Denver, CO 80204 Phone: 303-757-9021 FAX: 303-757-9868 Construction Engineering Services JBK	<h1 style="margin: 0;">CONCRETE PAVEMENT JOINTS</h1>	STANDARD PLAN NO.
Creation Date: 07/31/19	(R-X)	Date: 01/31/22	Comments: Revised all sheets.			M-412-1
Designer Initials: JBK	(R-X)					Standard Sheet No. 7 of 9
Last Modification Date: 01/31/22	(R-X)					Project Sheet Number:
Detailer Initials: LTA/HMG	(R-X)					
CAD Ver.: MicroStation V8 Scale: Not to Scale Units: English		(R-X)				



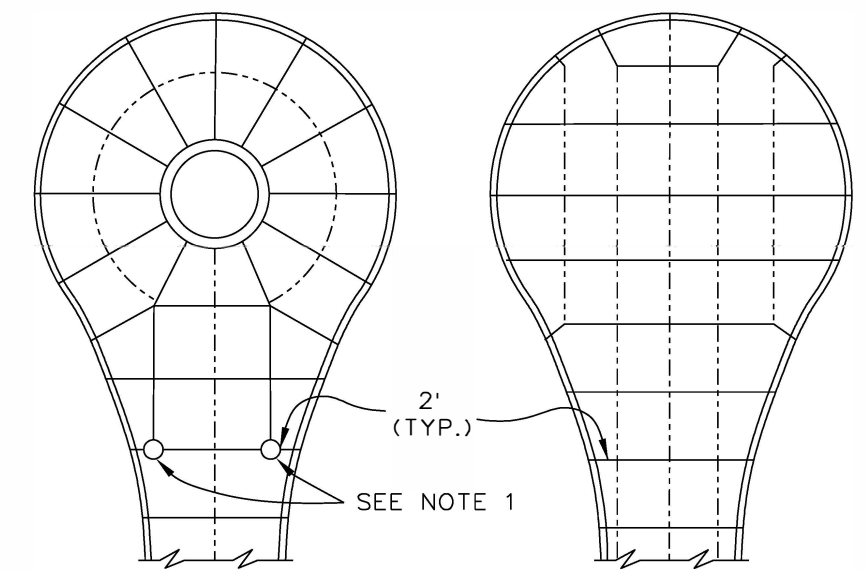
RAILROAD PROFILE VIEW



(RR)
RAILROAD JOINT DETAILS

NOTES ON RAILROAD JOINTS:

- * FOR SKEWED RAILROADS: 2" WIDE X 3" DEEP CHEMICALLY RESISTANT NEOPRENE JOINT SEAL.
FOR PERPENDICULAR RAILROADS: PREFORMED COMPRESSION SEALS MEETING THE REQUIREMENTS OF SECTION 412 FOR THE OPENING SHOWN.
- ** PREFORMED EXPANSION JOINT FILLER AS APPROVED BY THE ENGINEER.



OPEN CENTER CLOSED CENTER

CUL-DE-SAC

NOTE ON CUL-DE-SACS:

- IF A JOINT IS NOT CONTINUOUS INTO AN ADJACENT SLAB, A JOINT TERMINATION CORE (SEE SHEET 5) SHALL BE CONSTRUCTED USING 4" PVC PIPE FILLED WITH AN APPROVED NON-SHRINK GROUT OR BOND BREAKER FILLED WITH AN APPROVED NON-SHRINK GROUT.

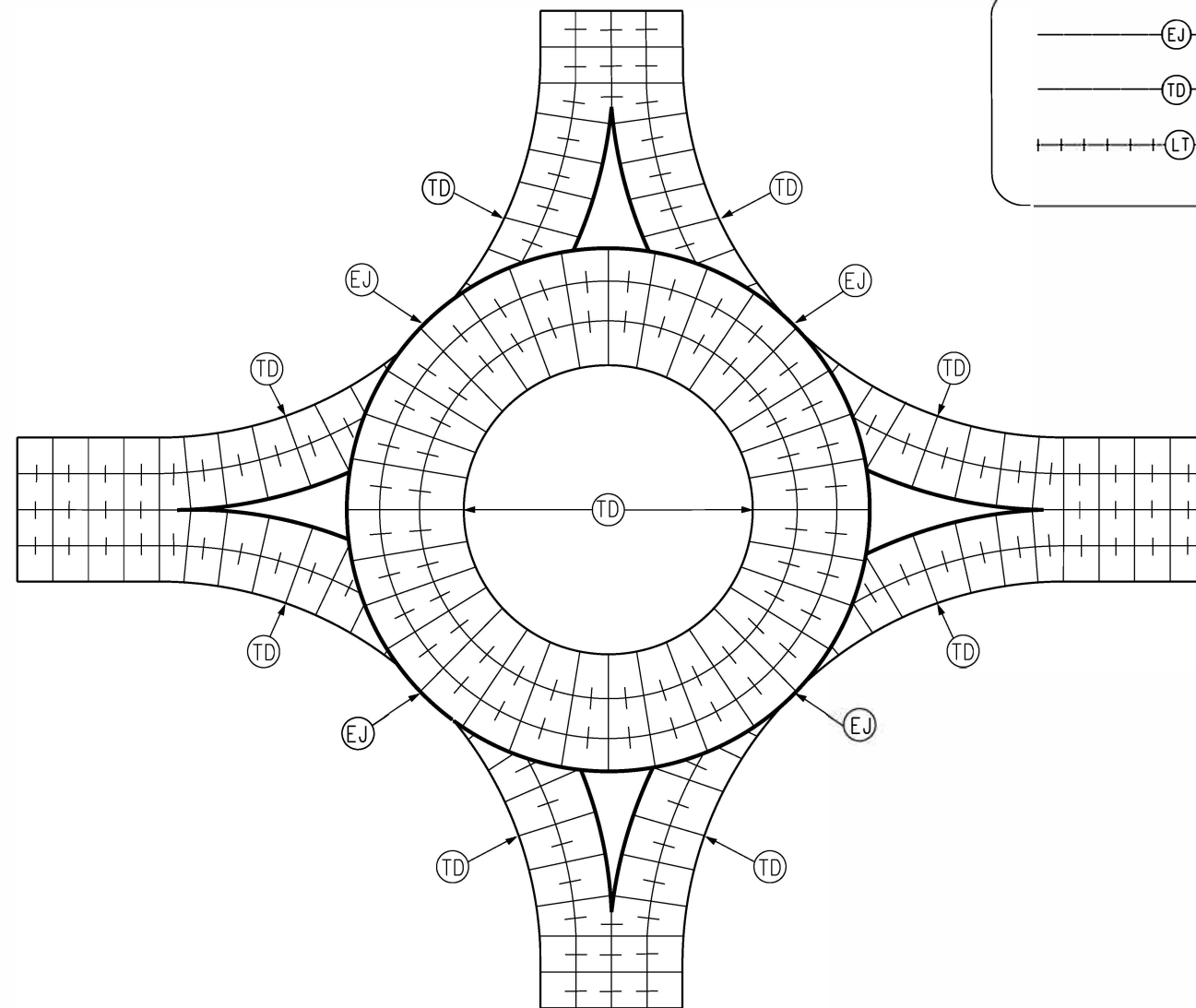
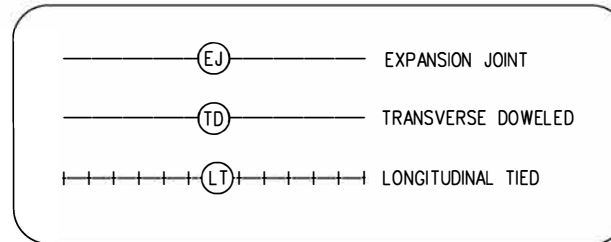
Computer File Information		Sheet Revisions		Colorado Department of Transportation 2829 West Howard Place CDOT HQ, 3rd Floor Denver, CO 80204 Phone: 303-757-9021 FAX: 303-757-9868 Construction Engineering Services JBK	CONCRETE PAVEMENT JOINTS	STANDARD PLAN NO.
Creation Date: 07/31/19		Date:	Comments			M-412-1
Designer Initials: JBK	(R-X)	01/31/22	Revised all sheets.			Standard Sheet No. 8 of 9
Last Modification Date: 01/31/22	(R-X)					Project Sheet Number:
Detailer Initials: LTA/HMG	(R-X)					
CAD Ver.: MicroStation V8 Scale: Not to Scale Units: English		(R-X)				Issued by the Project Development Branch: July 31, 2019

NOTES

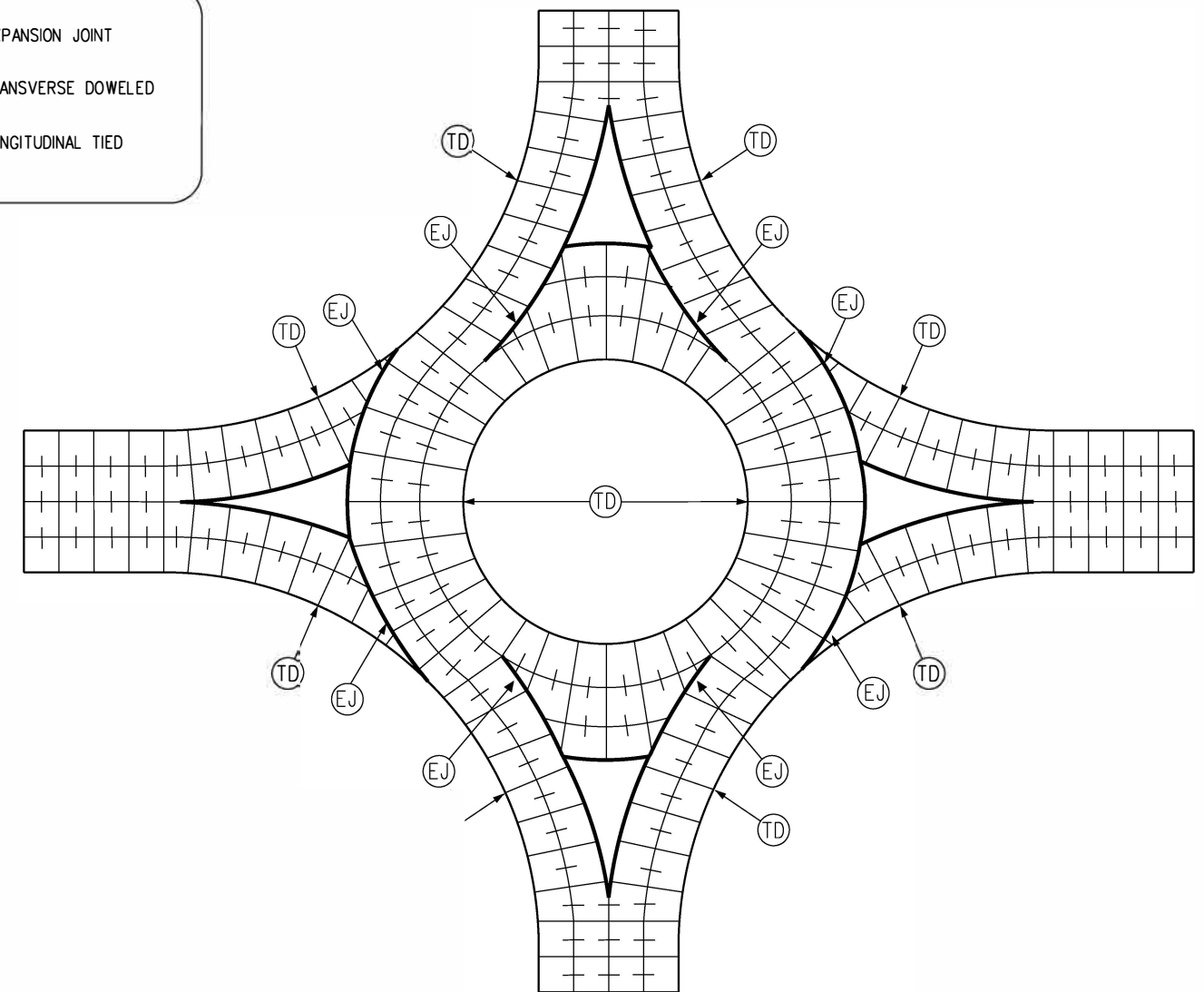
1. ALL RADIAL AND TRANSVERSE JOINTS SHALL BE (TD) JOINTS.
2. (EJ) JOINTS SHALL BE CONSTRUCTED WITH PREFORMED EXPANSION JOINT FILLER AS APPROVED BY THE ENGINEER.
3. THE TICK MARKS FOR TIE BAR LINE TYPE ARE FOR ILLUSTRATIVE PURPOSES ONLY AND DO NOT REPRESENT ACTUAL TIE BAR LOCATIONS. SEE M-412-1 SHEET 5 OF 9 FOR TIE BAR PLACEMENT LOCATIONS.
4. EXPANSION JOINTS SHALL BE INSTALLED BETWEEN CONCRETE CURB AND ANY FIXED STRUCTURE OR BRIDGE. EXPANSION JOINT MATERIAL SHALL EXTEND THE FULL DEPTH OF THE CONTACT SURFACE.
5. JOINT CONFIGURATIONS SHOWN ARE FOR SIMPLE ROUNDABOUTS AND DO NOT REPRESENT ALL ROUNDABOUT DESIGNS. THE CONTRACTOR SHALL SUBMIT A JOINT LAYOUT FOR APPROVAL BY THE ENGINEER PRIOR TO CONSTRUCTION. THE PAVEMENT JOINT LAYOUT SHALL CONSIDER, AT A MINIMUM, CONSTRUCTION STAGING AND LANE DELINEATION.

JOINT LEGEND

(SEE SHEET 5 FOR JOINT DETAILS)



ISOLATED CIRCLE ROUNDABOUT



PAVE-THROUGH ROUNDABOUT

Computer File Information Creation Date: 07/31/19 Designer Initials: JBK Last Modification Date: 01/31/22 Detailer Initials: LTA/HMG CAD Ver.: MicroStation V8 Scale: Not to Scale Units: English		Sheet Revisions <table border="1"> <thead> <tr> <th>Date:</th> <th>Comments</th> </tr> </thead> <tbody> <tr> <td>01/31/22</td> <td>Revised all sheets.</td> </tr> </tbody> </table>		Date:	Comments	01/31/22	Revised all sheets.	Colorado Department of Transportation  2829 West Howard Place CDOT HQ, 3rd Floor Denver, CO 80204 Phone: 303-757-9021 FAX: 303-757-9868 Construction Engineering Services JBK		CONCRETE PAVEMENT JOINTS Issued by the Project Development Branch: July 31, 2019		STANDARD PLAN NO. M-412-1 Standard Sheet No. 9 of 9 Project Sheet Number:	
Date:	Comments												
01/31/22	Revised all sheets.												