



US0D1034512S

(12) **United States Design Patent**  
**Nam et al.**

(10) **Patent No.:** **US D1,034,512 S**  
(45) **Date of Patent:** **\*\* Jul. 9, 2024**

(54) **MEDIA PLAYER DEVICE DOCKING STATION**

- (71) Applicant: **Sonos, Inc.**, Santa Barbara, CA (US)
- (72) Inventors: **Youjin Nam**, Santa Barbara, CA (US);  
**Aki Laine**, Santa Barbara, CA (US);  
**Edward Mitchell**, Thousand Oaks, CA (US)
- (73) Assignee: **Sonos, Inc.**, Santa Barbara, CA (US)
- (\*\*) Term: **15 Years**
- (21) Appl. No.: **29/757,435**
- (22) Filed: **Nov. 5, 2020**

**Related U.S. Application Data**

- (63) Continuation of application No. 29/682,129, filed on Mar. 1, 2019, now Pat. No. Des. 906,279.
- (51) **LOC (14) Cl.** ..... **14-02**
- (52) **U.S. Cl.**  
USPC ..... **D14/434**
- (58) **Field of Classification Search**  
USPC ..... D14/155-159, 160-173, 187-188,  
D14/189-198, 203.1-203.8, 204-216,  
D14/217-222, 224-229, 239, 251-253,  
D14/257-258, 335-337, 341-347,  
D14/371-382, 432, 434, 439-441,  
D14/447-452, 457, 492, 496, 498-506;  
D6/672-673, 675.1, 682; D20/27;  
D28/85-88; D13/108-109  
CPC ..... H04R 1/02; H04R 1/021; H04R 1/025;  
H04R 1/026; H04R 1/028; H04R 1/06;  
H04R 1/105; H04R 1/323; H04R 1/403;  
H04R 1/2803; H04R 1/2834  
See application file for complete search history.

(56) **References Cited**

**U.S. PATENT DOCUMENTS**

- 153,633 A \* 7/1874 Thierry ..... G04B 39/002  
368/295
- D85,615 S \* 11/1931 Johannig ..... D14/252  
(Continued)

**FOREIGN PATENT DOCUMENTS**

- CN 201830355293.4 10/2019
  - CN 306018800 S 8/2020
- (Continued)

**OTHER PUBLICATIONS**

Hands on: Sonos Move fits in the home as well as outdoors, Sep. 5, 2019, [retrieved Mar. 22, 2023], Retrieved from Internet, URL: <<https://appleinsider.com/articles/19/09/05/hands-on-sonos-move-fits-in-the-home-as-well-as-outside-the-home>> (Year: 2019).\*

(Continued)

*Primary Examiner* — Messina L Smith  
*Assistant Examiner* — Aram Kwon  
(74) *Attorney, Agent, or Firm* — KPPB LLP

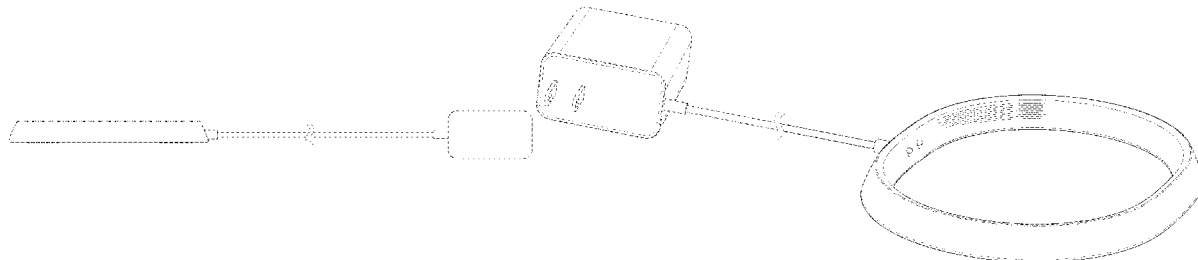
(57) **CLAIM**

The ornamental design for a media player device docking station, as shown and described.

**DESCRIPTION**

FIG. 1 is a top plan view of a media player device docking station.  
FIG. 2 is a bottom plan view thereof.  
FIG. 3 is a front elevation view thereof.  
FIG. 4 is a rear elevation view thereof; and,  
FIG. 5 is a perspective view thereof.  
The dash-dash broken lines show features of the media player device docking station that form no part of the claimed design. The dot-dash broken lines show boundaries of the claim and form no part of the claimed design.

**1 Claim, 4 Drawing Sheets**



(56)

References Cited

U.S. PATENT DOCUMENTS

2,481,387 A \* 9/1949 Bonecutter ..... H04M 1/05  
379/446  
D233,365 S 10/1974 Tomioka et al.  
D262,213 S \* 12/1981 Janda ..... D14/253  
5,673,829 A \* 10/1997 Hartshorn ..... A45F 5/02  
224/256  
D445,819 S \* 7/2001 Backs ..... D16/242  
D529,065 S \* 9/2006 Watanabe ..... D16/134  
D641,007 S 7/2011 Skurdal  
D642,158 S 7/2011 Skurdal  
D668,380 S \* 10/2012 May ..... D26/139  
D699,241 S \* 2/2014 Moors ..... D14/356  
D721,061 S 1/2015 Burlingame et al.  
D729,858 S \* 5/2015 Imai ..... D16/134  
D763,681 S 8/2016 Morgan et al.  
D766,216 S 9/2016 Choi et al.  
D768,635 S \* 10/2016 Due ..... D14/432  
D769,327 S \* 10/2016 Morillo Garcia ..... D14/496  
D809,449 S \* 2/2018 Zhang ..... D12/415  
D809,480 S 2/2018 Schaal et al.  
D809,483 S 2/2018 Fischer et al.  
D826,989 S \* 8/2018 Lim ..... G06F 1/1613  
D14/511  
D836,086 S 12/2018 Yu  
D836,114 S \* 12/2018 Nangeroni ..... D14/432  
D851,058 S 6/2019 Pupecki et al.  
D855,048 S \* 7/2019 Kim ..... D14/253  
D864,931 S 10/2019 Fahlgren et al.  
D868,034 S 11/2019 Summerson et al.  
D868,726 S 12/2019 Kim et al.  
D878,322 S \* 3/2020 Sandberg ..... D14/159  
D878,334 S 3/2020 Alves et al.  
D883,966 S 5/2020 Huang et al.  
D884,616 S \* 5/2020 Li ..... D13/108  
D886,765 S 6/2020 Wilberding et al.  
D906,279 S 12/2020 Nam et al.  
D907,590 S \* 1/2021 Bould ..... D14/218  
D908,620 S \* 1/2021 Akana ..... D13/108  
D933,057 S \* 10/2021 Kim ..... D14/251  
D935,402 S \* 11/2021 Qiu ..... D13/108  
D946,052 S \* 3/2022 Olsson ..... D14/496  
D957,324 S \* 7/2022 Liddell ..... D13/108  
D958,072 S \* 7/2022 Yang ..... D13/108  
D960,146 S \* 8/2022 Song ..... D14/253  
D966,253 S \* 10/2022 Wu ..... D14/251  
D970,433 S \* 11/2022 Tan ..... D13/107  
D971,836 S \* 12/2022 Xian ..... D13/108  
D974,346 S \* 1/2023 Xie ..... D14/251  
D976,283 S \* 1/2023 Fonti ..... D14/496  
D984,373 S \* 4/2023 Liao ..... D13/108  
D986,822 S \* 5/2023 Wu ..... D14/433  
D989,074 S \* 6/2023 Selling ..... D14/411  
D989,336 S \* 6/2023 Ren ..... D13/108  
2017/0085972 A1 3/2017 Reichert et al.  
2017/0359641 A1 \* 12/2017 Yanofsky ..... H04R 1/025

FOREIGN PATENT DOCUMENTS

CN 306391621 \* 3/2021  
CN 306391621 S 3/2021  
CN 306401519 S 3/2021  
EM 003257005-0008 6/2016  
EM 006785275-0001 8/2019  
EM 006785275-0002 8/2019  
EM 006785275-0003 8/2019  
EM 006785275-0004 8/2019  
EM 006785275-0005 8/2019  
EM 006785275-0006 8/2019  
EM 006785275-0007 8/2019  
EM 006785275-0008 8/2019  
EM 006785275-0009 8/2019  
EM 006785275-0010 8/2019  
JP 1001376 S 1/1998  
JP 1614383 S 9/2018  
JP 1614384 S 9/2018  
JP 1628177 S 3/2019  
JP 1660405 S 5/2020  
JP 1676519 S 12/2020  
JP 1691847 S 7/2021  
JP D1713492 \* 4/2022  
KR 3020180043941 5/2019

OTHER PUBLICATIONS

Soarking Charging Base, date first available: Jul. 8, 2020, [retrieved Mar. 22, 2023], Retrieved from Internet, URL: <https://www.amazon.ca/Charging-Compatible-Charger-Station-Soarking/dp/B089G3CRSZ?th=1> (Year: 2020).\*

Sonos Move review, Oct. 1, 2019, [retrieved Mar. 22, 2023], Retrieved from Internet, URL: <https://www.techadvisor.com/article/720612/sonos-move-review-2.html> (Year: 2019).\*

The Sonos Move is More than a Portable Speaker, Dec. 17, 2019, [retrieved Mar. 22, 2023], Retrieved from Internet, URL: <https://www.bhphotovideo.com/explora/home-entertainment/hands-on-review/the-sonos-move-is-more-than-a-portable-speaker> (Year: 2019).\*

“Battery for Computer”, <http://productimages.grainger.com/s7viewers/dhtml/genericZoomMobile.html?serverUrl=http://productimages.grainger.com/is/image/&style=Grainger%2FCSS%2FbasicZoom-Mobile%2Ecsc&contentRoot=http://productim> Public Document No. HJ24011206, Jun. 11, 2012.

“Sonos One (Gen 2)—Voice Controlled Smart Speaker”, 2020, retrieved from <https://www.westelm.com/products/sonos-1-d4963/> on Jun. 18, 2020, 4 pgs.

“The \$399 Sonos Move Is the Company’s First Portable Speaker”, Sep. 6, 2019, retrieved from <https://www.extremetech.com/electronics/297962-the-399-sonos-move-is-the-companys-first-portable-speaker> on Jun. 18, 2020, 12 pgs.

\* cited by examiner

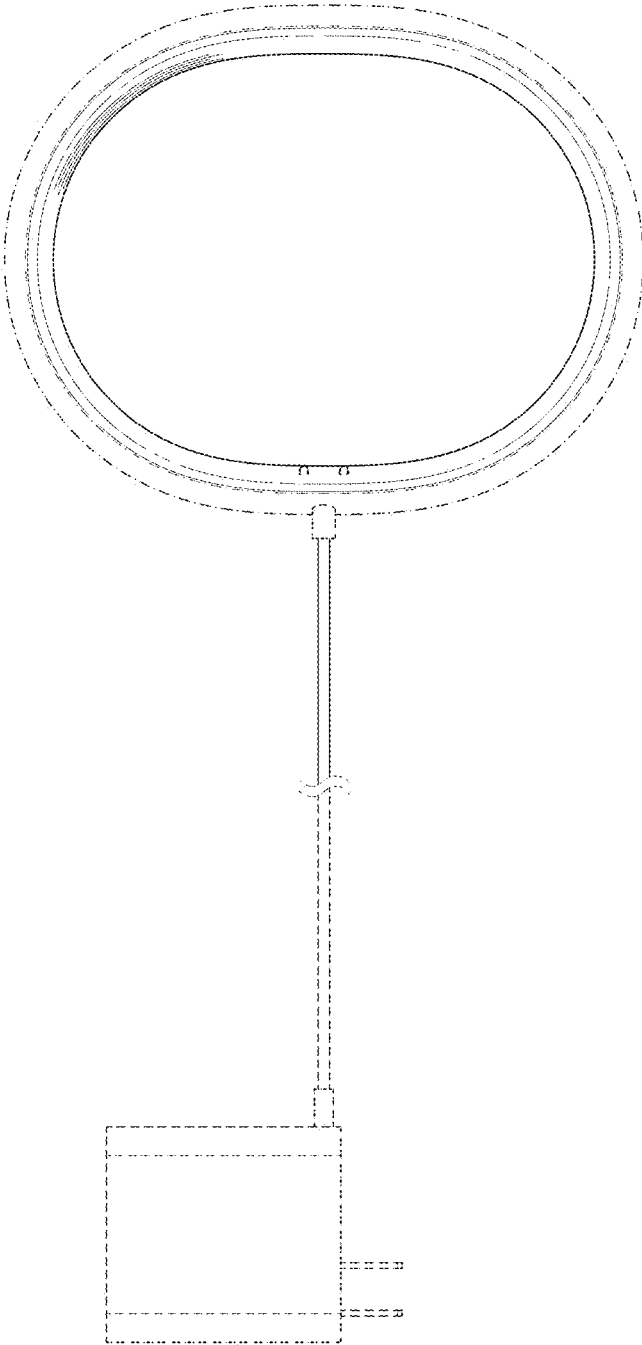


FIG. 1

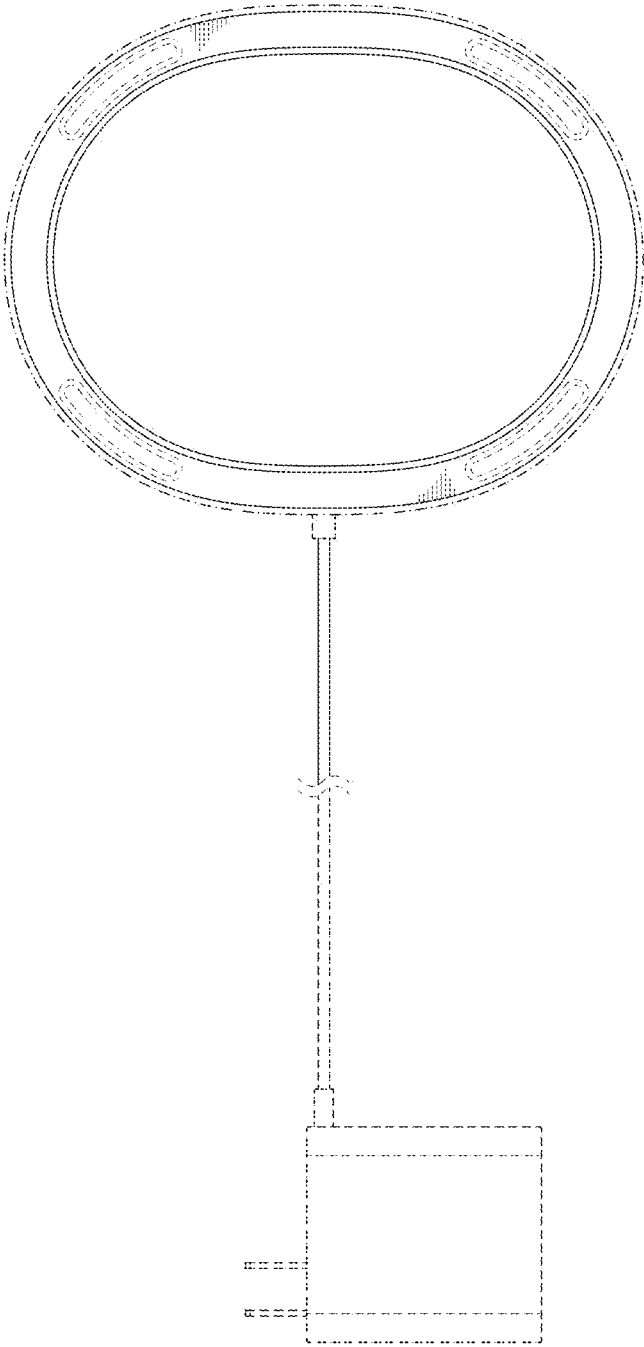


FIG. 2

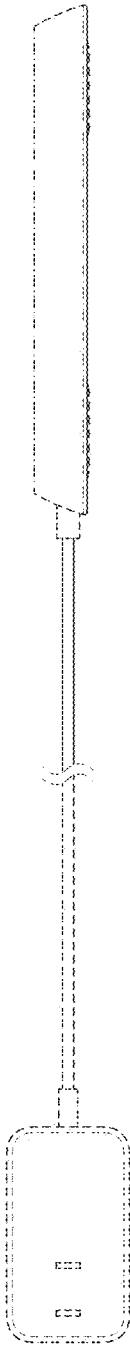


FIG. 3

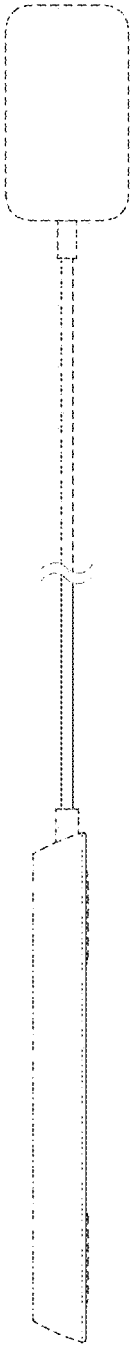


FIG. 4

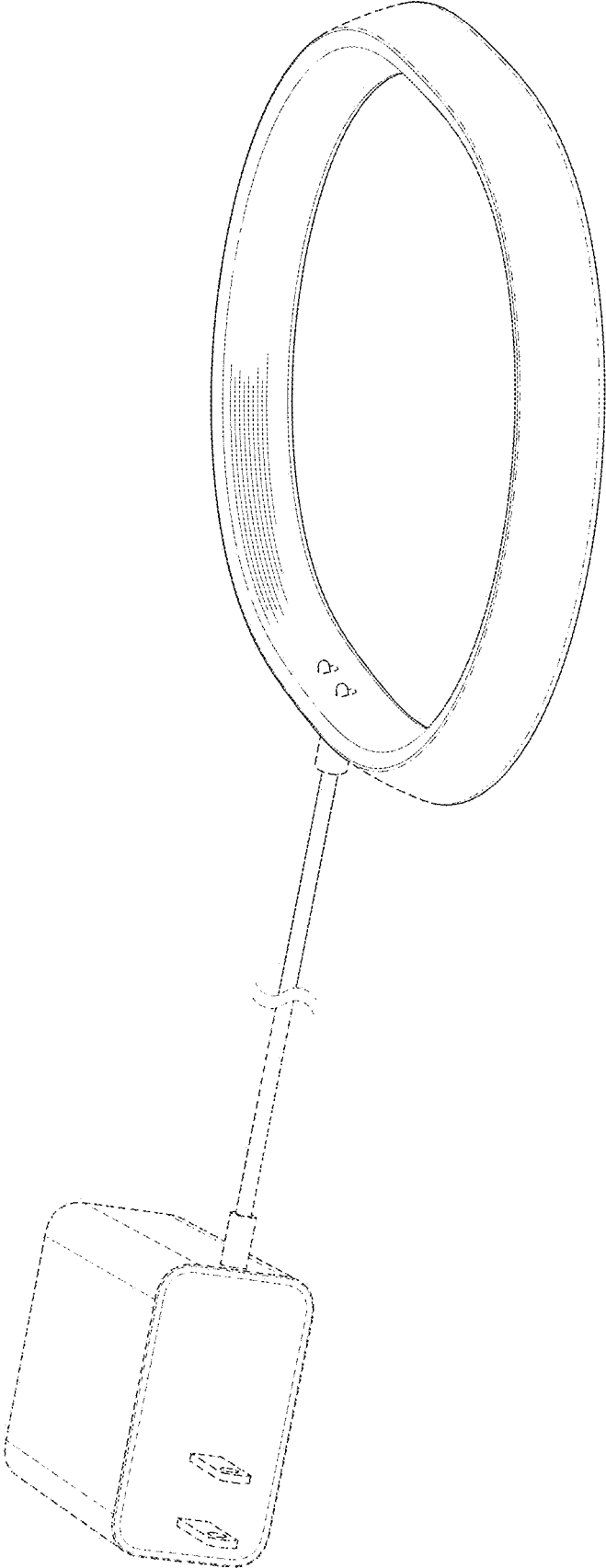


FIG. 5