



US00D631293S

(12) **United States Design Patent**  
**Ross**

(10) **Patent No.:** **US D631,293 S**

(45) **Date of Patent:** **\*\* Jan. 25, 2011**

(54) **TRAVEL COFFEE MUG**

(76) Inventor: **Gary Ross**, 121 Santa Paula Ave.,  
Oxnard, CA (US) 93036

(\*\*) Term: **14 Years**

(21) Appl. No.: **29/349,918**

(22) Filed: **May 19, 2010**

(51) **LOC (9) Cl.** ..... **07-01**

(52) **U.S. Cl.** ..... **D7/510; D7/511; D7/523**

(58) **Field of Classification Search** ..... **D7/509,**  
**D7/510, 511, 523, 608, 521; 222/525; 215/387;**  
**220/715, 714**

See application file for complete search history.

(56) **References Cited**

**U.S. PATENT DOCUMENTS**

D47,800	S	*	9/1915	Pick	.....	D7/523
6,202,877	B1	*	3/2001	La Torre et al.	.....	220/254.1
D466,371	S	*	12/2002	Parker	.....	D7/510
D480,919	S	*	10/2003	Bin	.....	D7/533
D485,123	S	*	1/2004	Gullickson et al.	.....	D7/510
6,702,138	B1	*	3/2004	Bielecki et al.	.....	220/254.9
D488,672	S	*	4/2004	Oas	.....	D7/507
D508,186	S	*	8/2005	Edelstein et al.	.....	D7/510

D535,151	S	*	1/2007	Seum et al.	.....	D7/510
D540,124	S	*	4/2007	Ross	.....	D7/608
D571,153	S	*	6/2008	Lopez	.....	D7/511
7,681,754	B1	*	3/2010	Ross	.....	220/714
D615,359	S	*	5/2010	George	.....	D7/510

\* cited by examiner

*Primary Examiner*—Marianne Pandozzi

(74) *Attorney, Agent, or Firm*—Thomas I. Rozsa

(57) **CLAIM**

The ornamental design for a travel coffee mug, as shown and described.

**DESCRIPTION**

FIG. 1 is a top, side perspective view of a travel coffee mug showing my new design;

FIG. 2 is a front view thereof, the rear view being a mirror image;

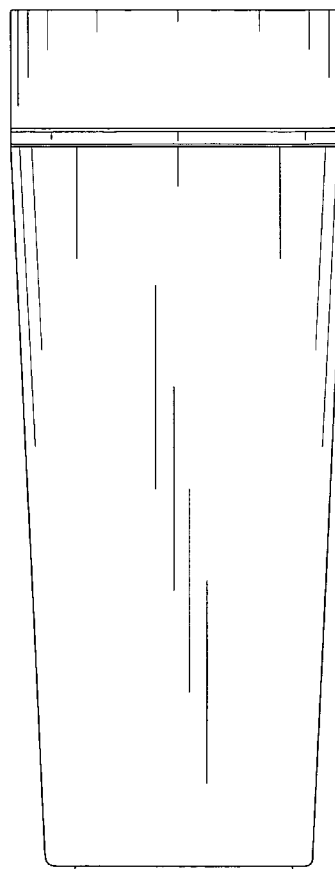
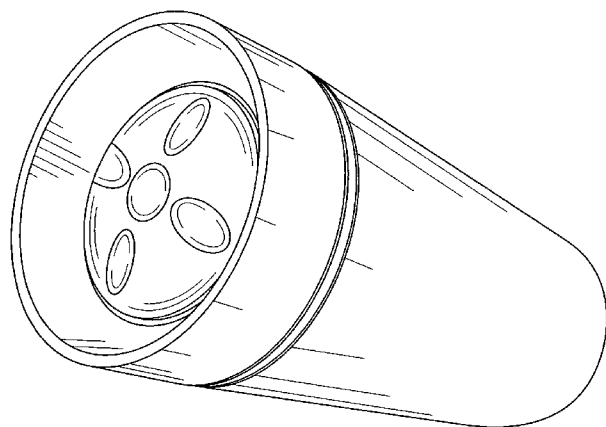
FIG. 3 is a top view thereof;

FIG. 4 is a bottom view thereof;

FIG. 5 is a right side view thereof, the left side view being a mirror image; and,

FIG. 6 is a bottom perspective view thereof.

**1 Claim, 6 Drawing Sheets**



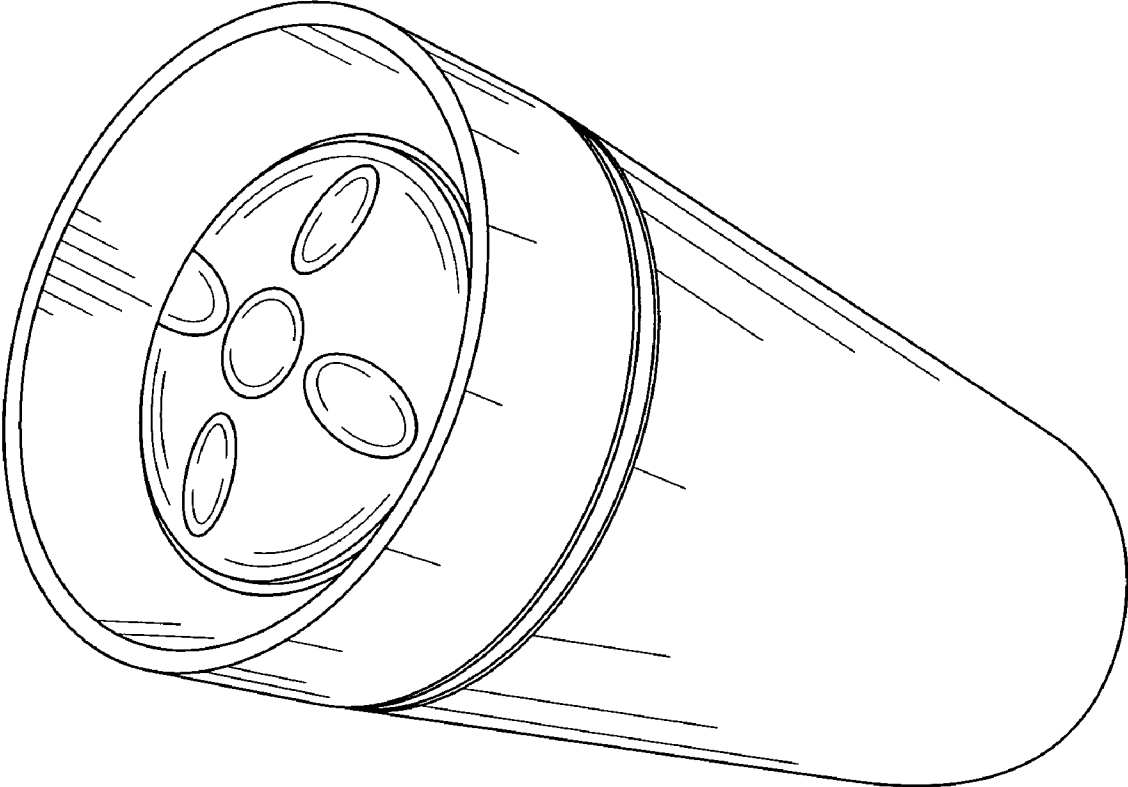


FIG. 1

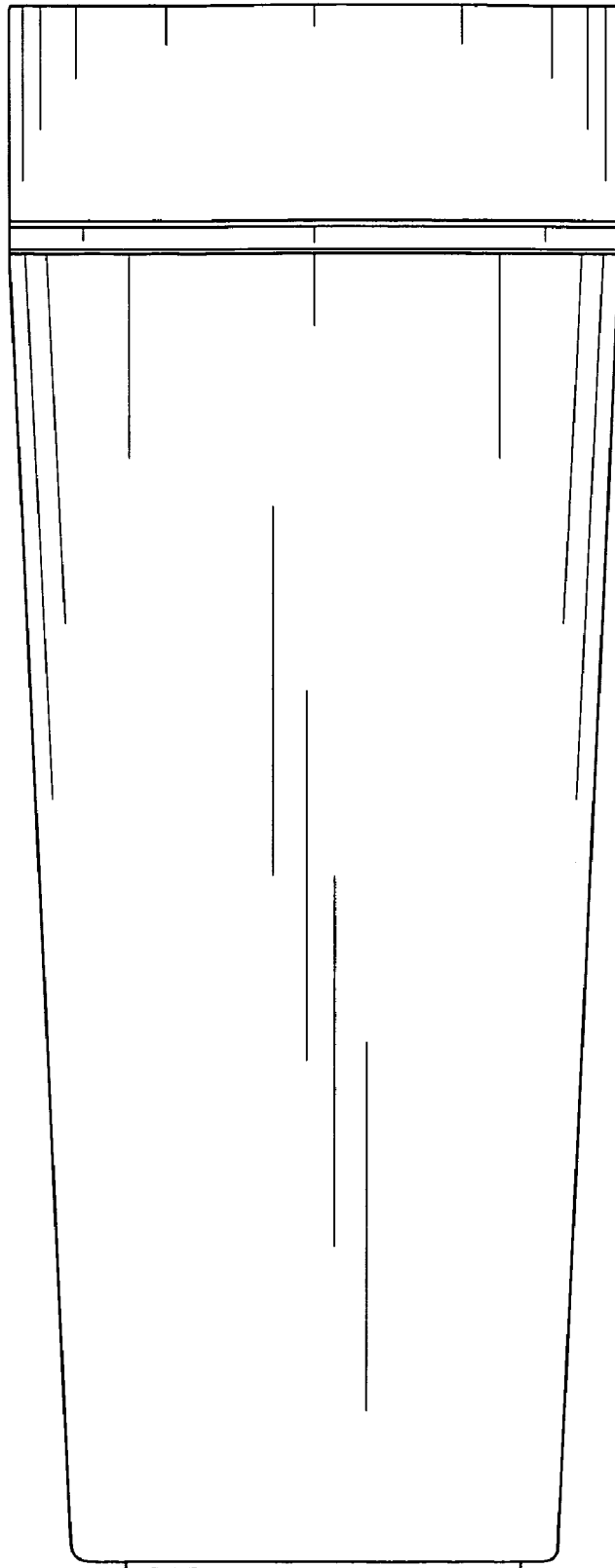


FIG. 2

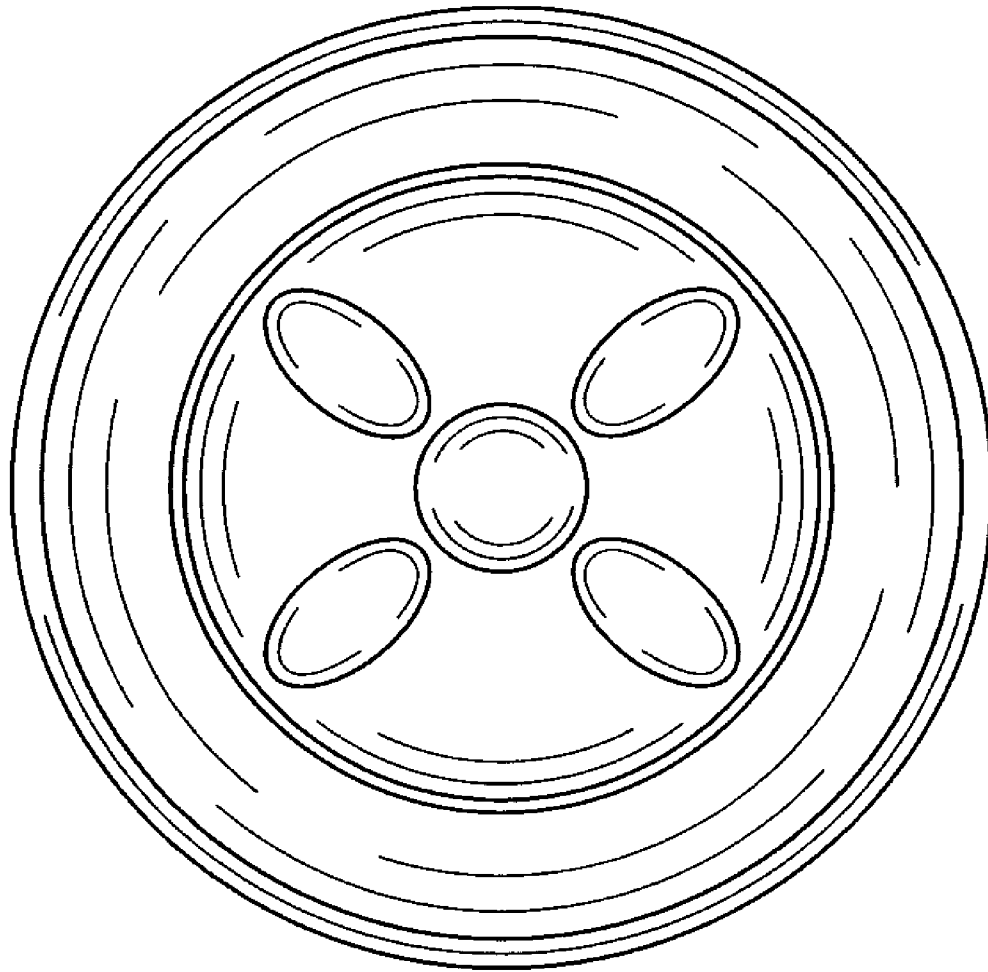


FIG. 3

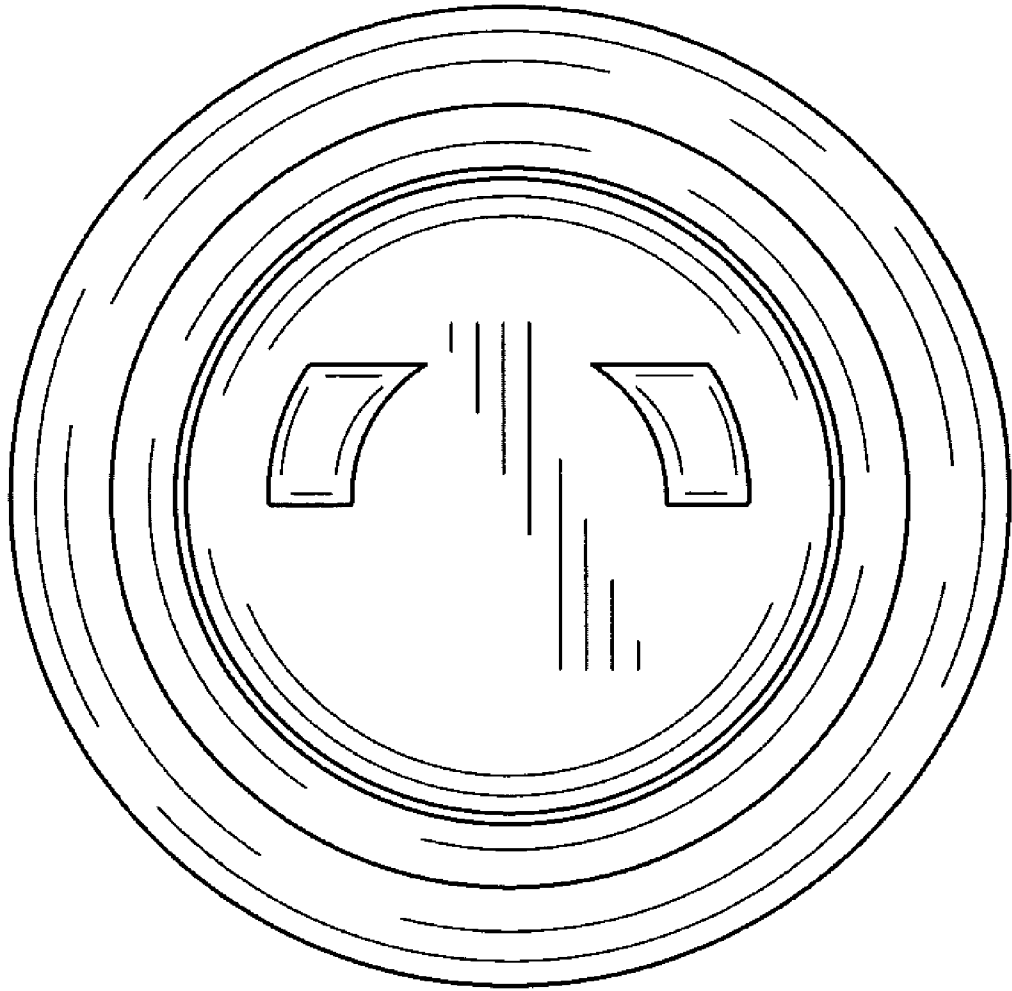


FIG. 4

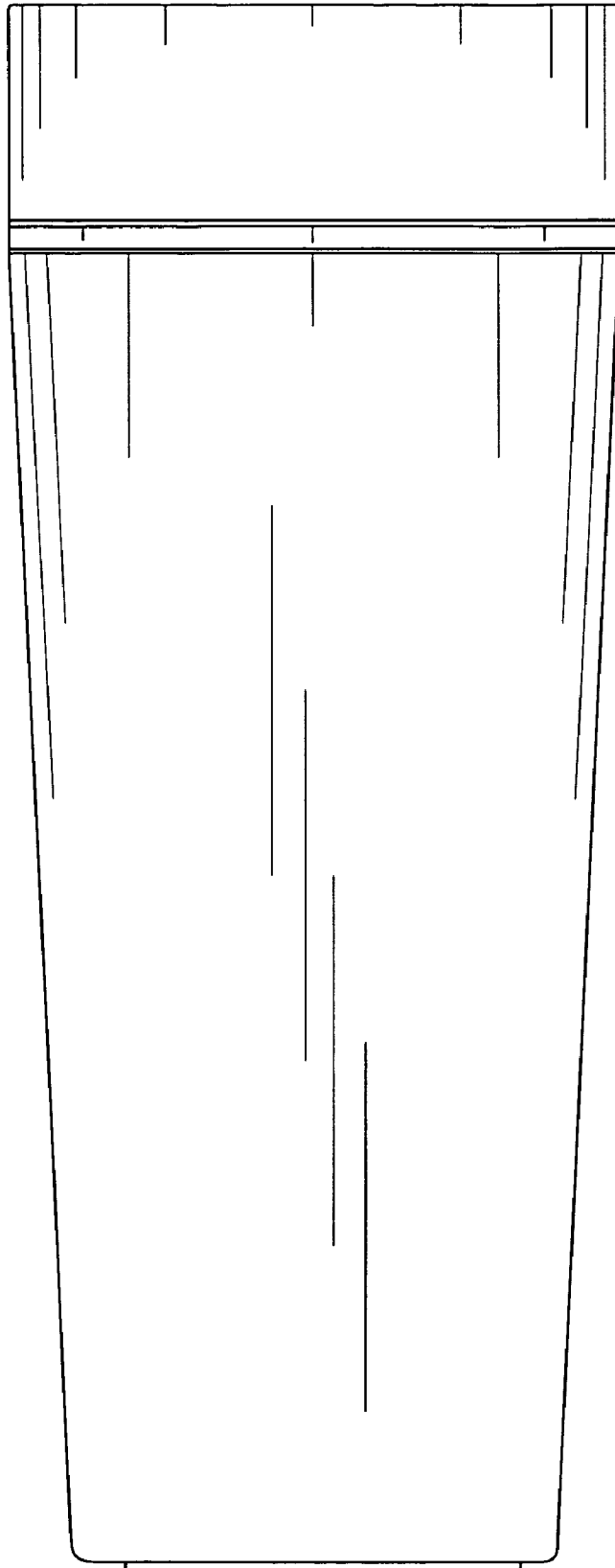


FIG. 5

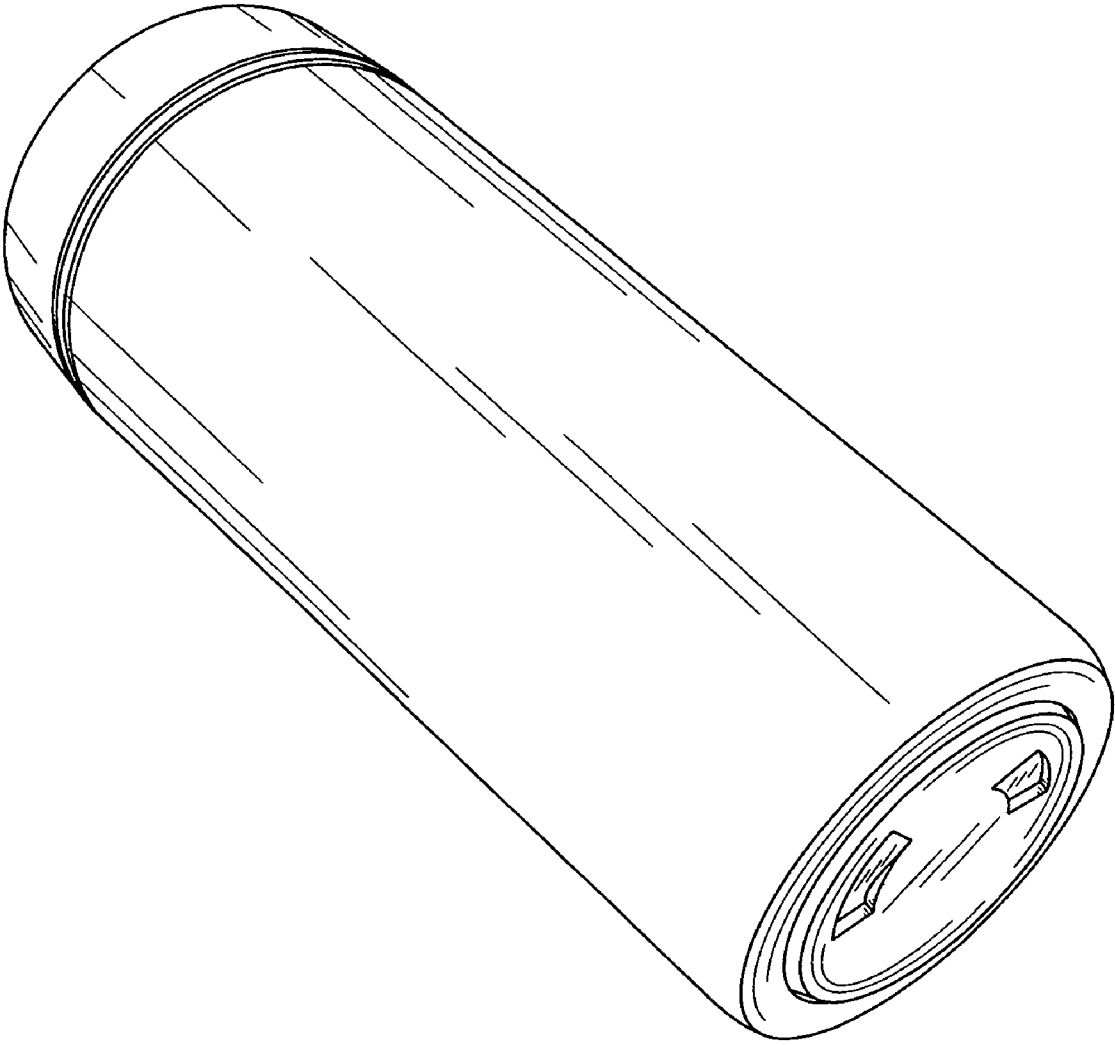


FIG. 6