



US00D387529S

**United States Patent** [19]  
**Spitaler**

[11] **Patent Number:** **Des. 387,529**  
[45] **Date of Patent:** **\*\*Dec. 9, 1997**

[54] **GARBAGE CAN**

[75] **Inventor:** Peter Spitaler, Vienna, Australia

[73] **Assignee:** Witzmann Plastik Vertriebs GmbH,  
GreuBenheim, Germany

[\*\*] **Term:** 14 Years

[21] **Appl. No.:** 49,481

[22] **Filed:** Jan. 26, 1996

[51] **LOC (6) Cl.** ..... 09-09

[52] **U.S. Cl.** ..... D34/1; D34/5

[58] **Field of Search** ..... D34/1, 5-7; D32/37;  
220/908, 909, 403, 404, 409, 23.4

[56] **References Cited**

**U.S. PATENT DOCUMENTS**

D. 327,756	7/1992	Klein et al.	.....	D34/1
4,139,114	2/1979	Long et al.	.....	220/23.4
5,005,727	4/1991	Roth	.....	220/404
5,101,997	4/1992	Bagwell et al.	.....	220/23.4
5,139,299	8/1992	Smith	.....	294/159
5,392,916	2/1995	Paulison	.....	220/909

**FOREIGN PATENT DOCUMENTS**

8900980	1/1989	Germany .
9102154	2/1991	Germany .
9102304	4/1991	Germany .

*Primary Examiner*—Alan P. Douglas  
*Assistant Examiner*—Robin V. Taylor  
*Attorney, Agent, or Firm*—Oppenheimer Poms Smith

[57] **CLAIM**

The ornamental design for a garbage can, as shown and described.

**DESCRIPTION**

FIG. 1 is a perspective view of the garbage can in accordance with the teachings of the invention;

FIG. 2 is a side elevational view of the garbage can of FIG. 1;

FIG. 3 is a front elevational view of the garbage can of FIG. 1;

FIG. 4 is a rear elevational view of the garbage can FIG. 1;

FIG. 5 is an elevational view of the other side of the garbage can of FIG. 1;

FIG. 6 is a bottom plan view of the garbage can of FIG. 1;

FIG. 7 is a top plan view of the garbage can of FIG. 1;

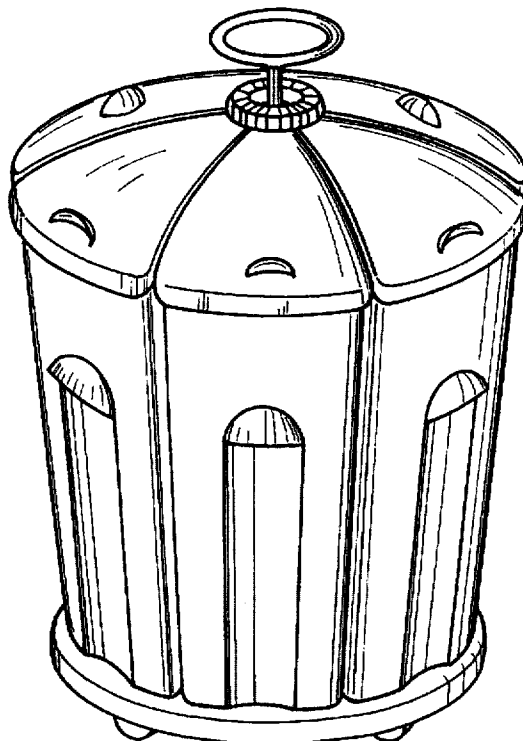
FIG. 8 is a perspective view of the garbage can of FIG. 1 with three of the separable containers removed therefrom;

FIG. 9 is a front, side perspective view of one of the separable containers with the handle and lid in open position thereof; shown separately for clarity of illustration;

FIG. 10 is a front perspective view of a second separable container with the lid in open position thereof, shown separately for clarity of illustration; and,

FIG. 11 is a side, front perspective view of a third separable container thereof with the lid closed.

**1 Claim, 8 Drawing Sheets**



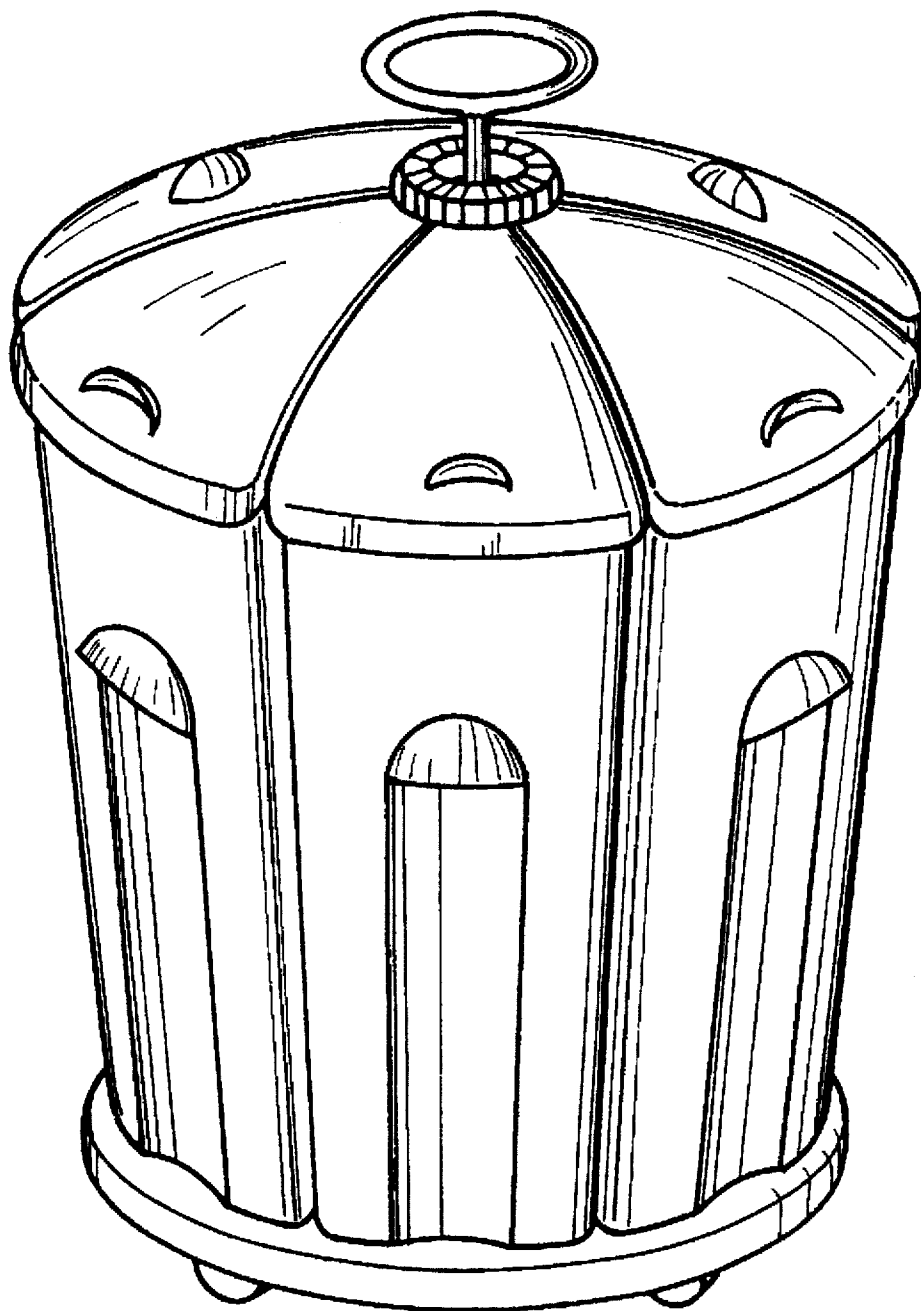


Fig. 1

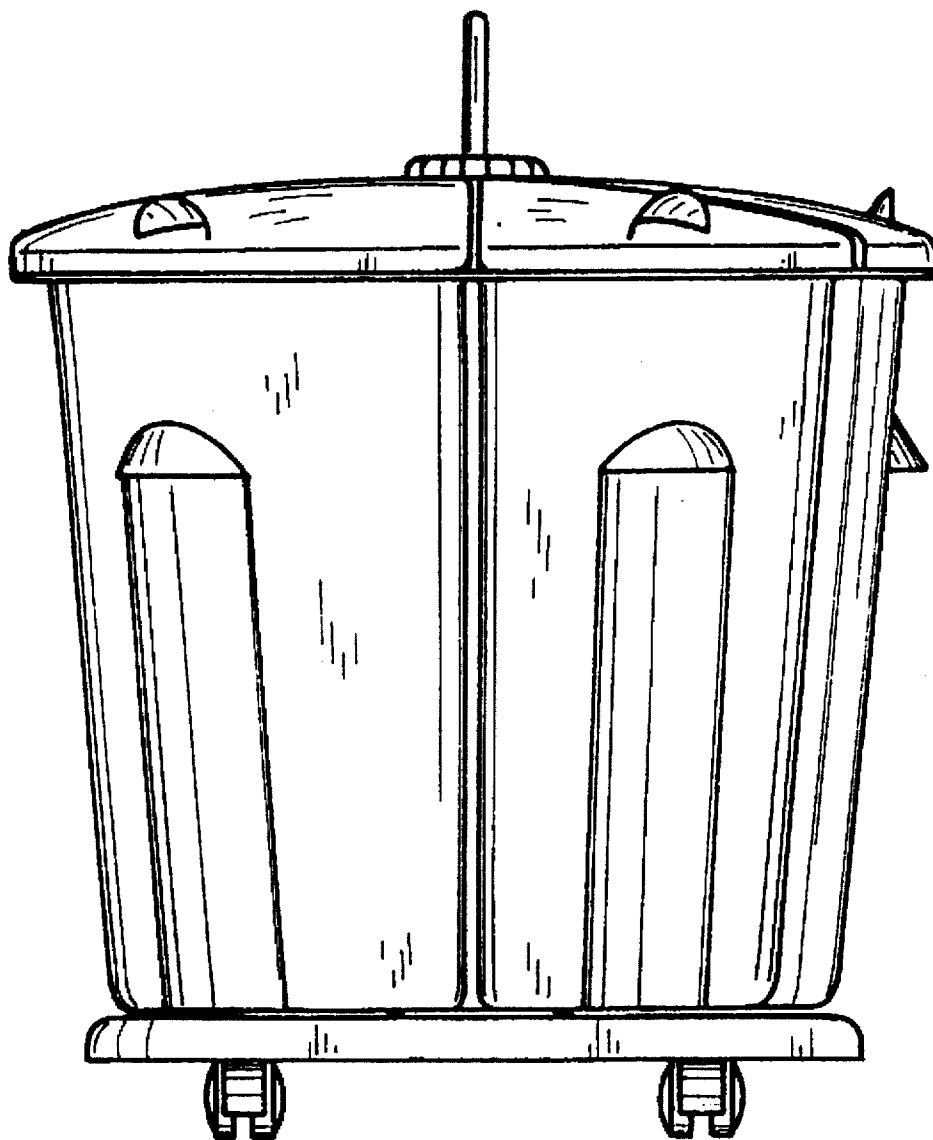


Fig. 2

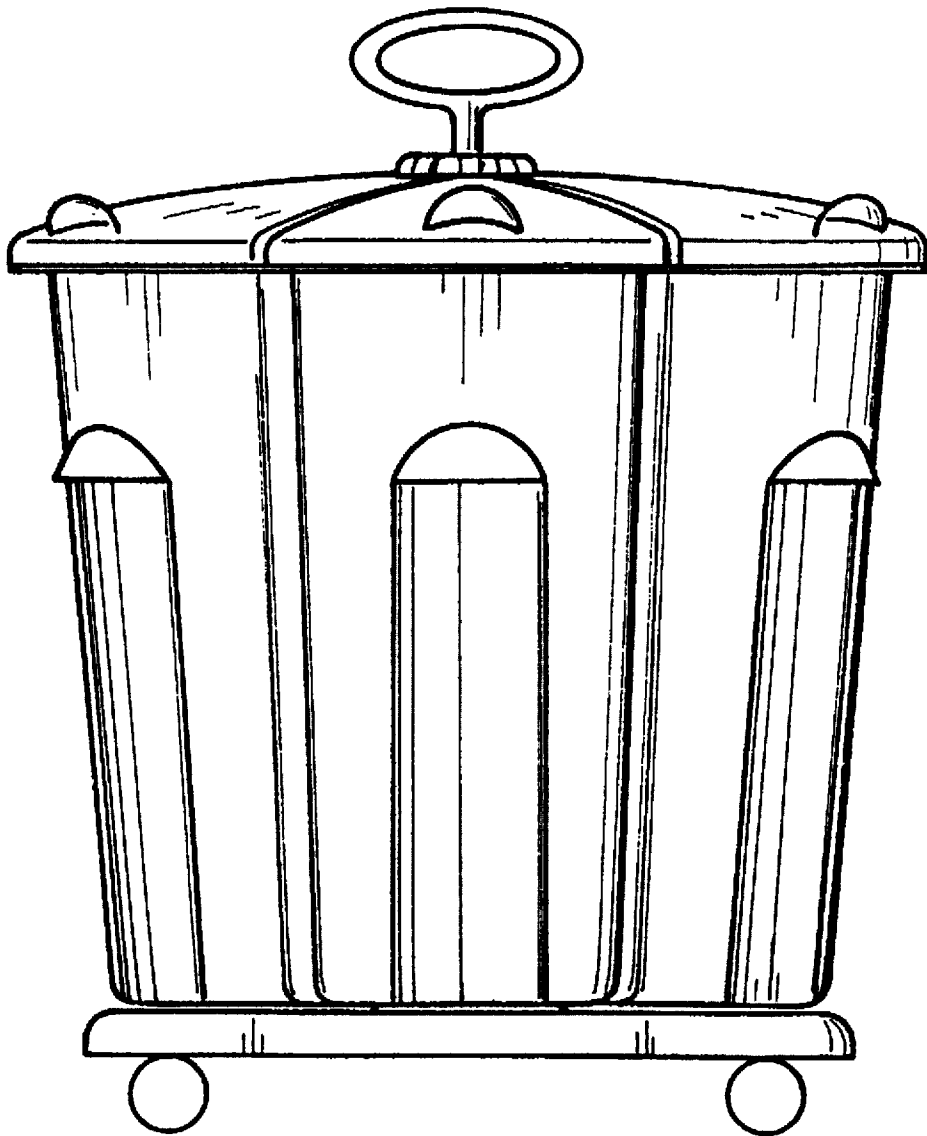


Fig. 3

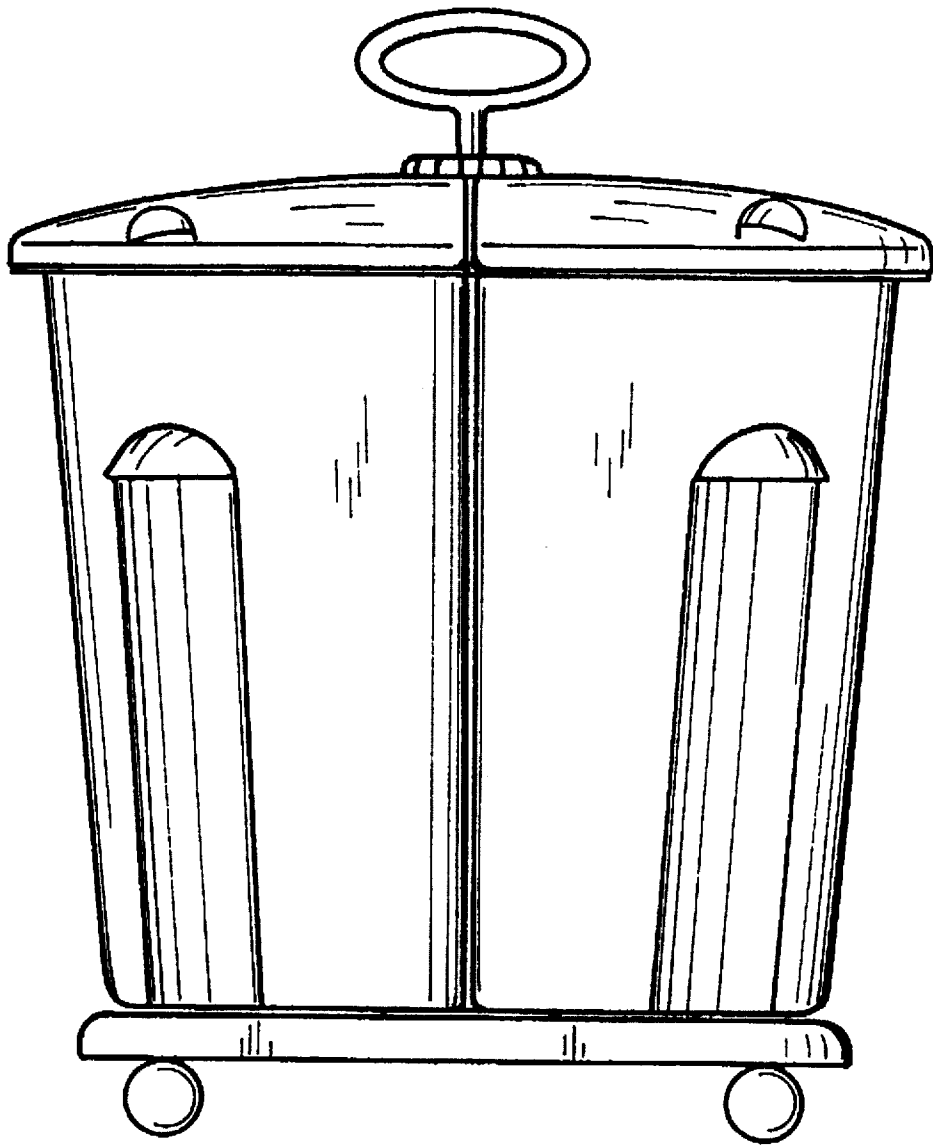


Fig. 4

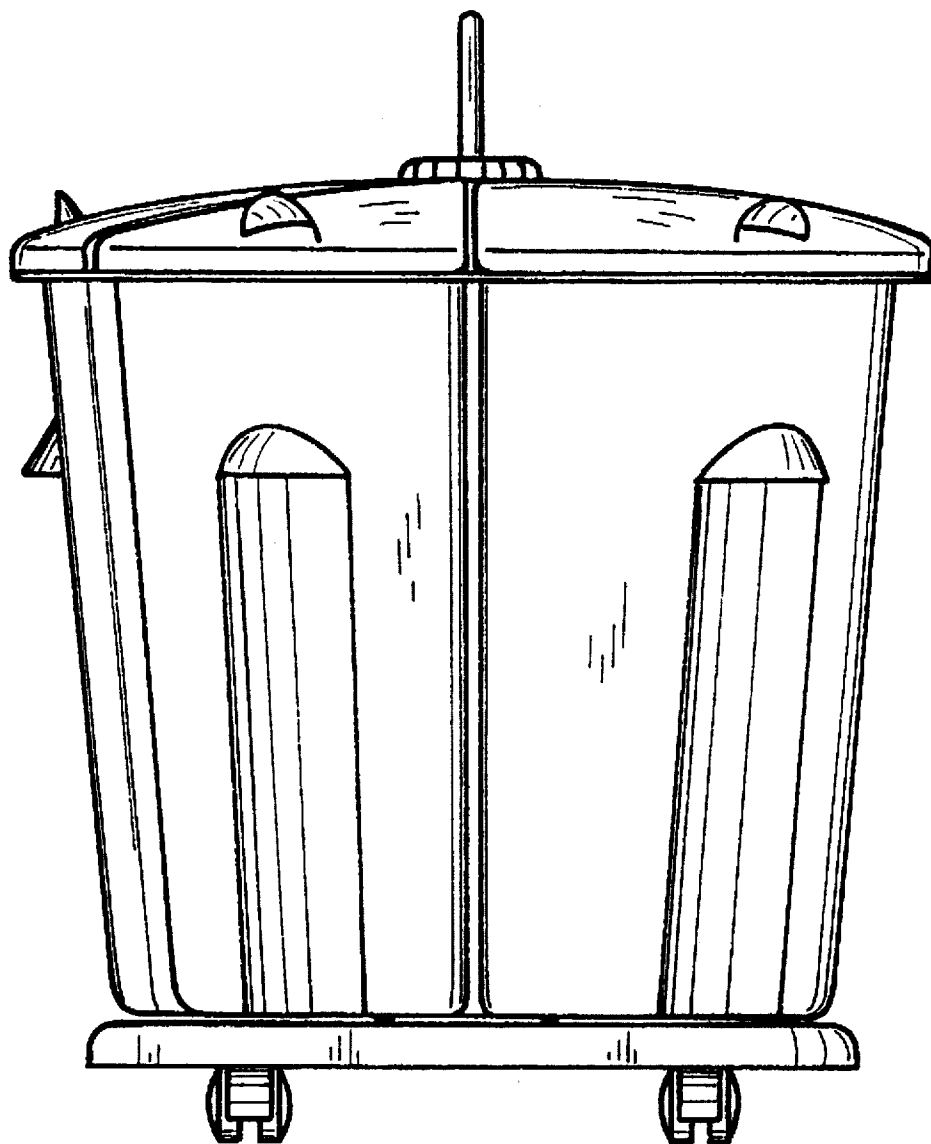


Fig. 5

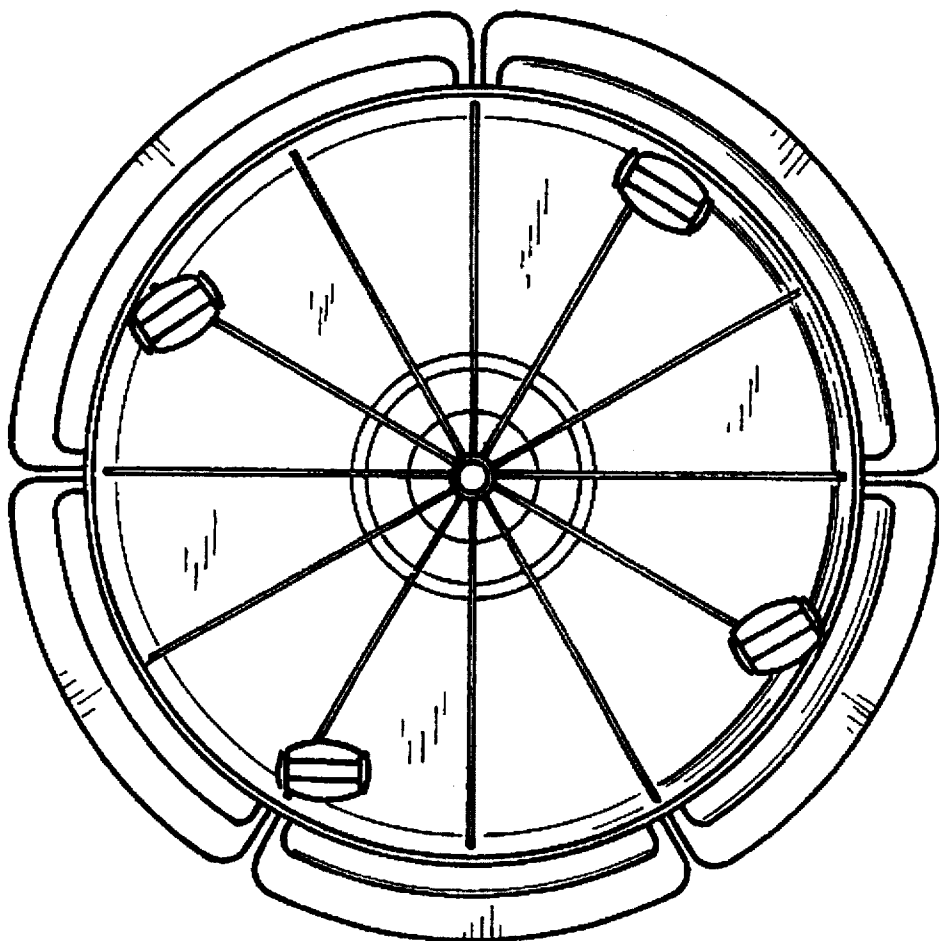


Fig. 6

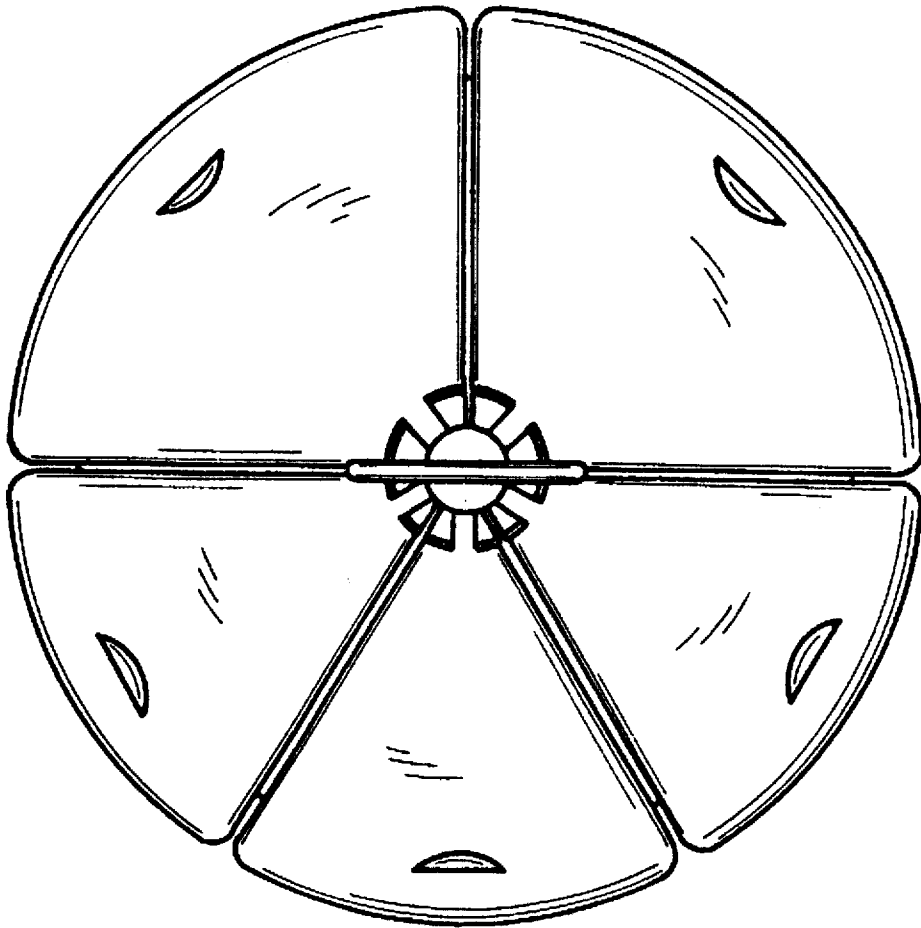


Fig. 7



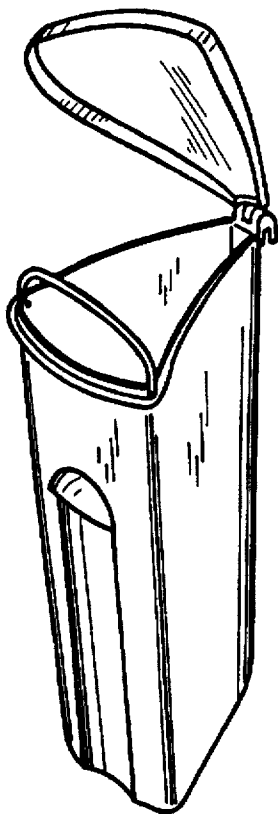


Fig. 9

Fig. 10

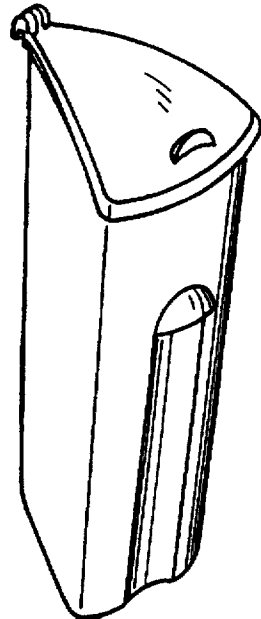
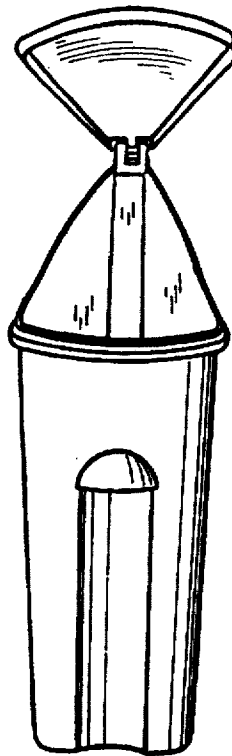


Fig. 11

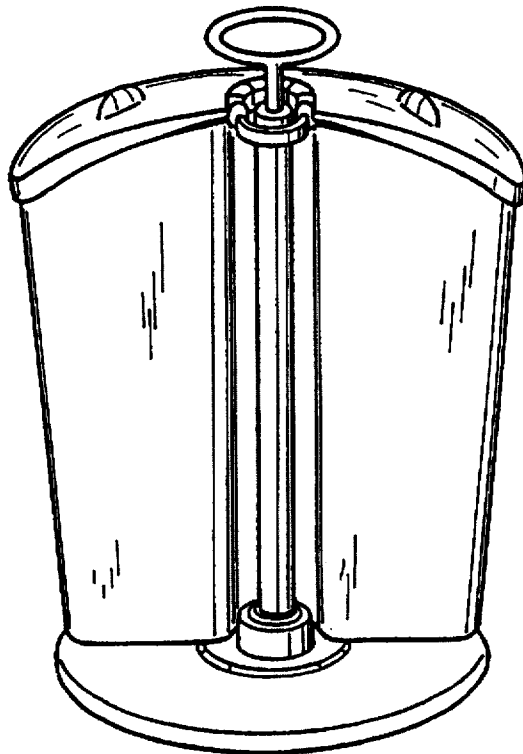


Fig. 8

UNITED STATES PATENT AND TRADEMARK OFFICE  
**CERTIFICATE OF CORRECTION**

PATENT NO. : D387,529  
DATED : December 9, 1997  
INVENTOR(S) : Peter Spitaler

It is certified that error appears in the above-identified patent and that said Letters Patent is hereby corrected as shown below:

On the title page, item [75]  
"Inventor," "Australia" should be --Austria--.

Signed and Sealed this  
Tenth Day of March, 1998

Attest:



BRUCE LEHMAN

Attesting Officer

Commissioner of Patents and Trademarks

UNITED STATES PATENT AND TRADEMARK OFFICE  
**CERTIFICATE OF CORRECTION**

PATENT NO. : Des. 387,529  
DATED : December 9, 1997  
INVENTOR(S) : Peter Spitaler

It is certified that error appears in the above-identified patent and that said Letters Patent is hereby corrected as shown below:

On the title page, item [30], add:

Jul. 27, 1995 [DE] Fed. Rep. of Germany . . . M 95 06 144.4

Signed and Sealed this  
Sixth Day of April, 1999

Attest:



Q. TODD DICKINSON

Attesting Officer

Acting Commissioner of Patents and Trademarks