



US00D924303S

(12) **United States Design Patent** (10) **Patent No.:** **US D924,303 S**
Pfiffi (45) **Date of Patent:** **** Jul. 6, 2021**

(54) **SURVEILLANCE CAMERA**

(56) **References Cited**

(71) Applicant: **Mobotix AG**, Winnweiler (DE)

U.S. PATENT DOCUMENTS

(72) Inventor: **Horst Pfiffi**, Queidersbach (DE)

D217,153	S	*	4/1970	Adkins et al.	D16/203
D282,068	S	*	1/1986	Claggett	D14/239
D450,075	S	*	11/2001	Uehara	D16/202
D455,166	S	*	4/2002	Raad	D10/104.1
D732,596	S	*	6/2015	Wang	D16/203
D743,472	S	*	11/2015	Tanifuji	D16/219
D771,174	S	*	11/2016	Hinkel	D16/203
D867,428	S	*	11/2019	Jiang	D16/218
D878,264	S	*	3/2020	Ahn	D12/190

(73) Assignee: **Mobotix AG**, Winnweiler (DE)

(**) Term: **15 Years**

* cited by examiner

(21) Appl. No.: **35/508,074**

(22) Filed: **Oct. 1, 2019**

Primary Examiner — Holly E Thurman

(80) **Hague Agreement Data**

(74) *Attorney, Agent, or Firm* — Holland & Hart LLP

Int. Filing Date: **Oct. 1, 2019**

Int. Reg. No.: **DM/204642**

Int. Reg. Date: **Oct. 1, 2019**

Int. Reg. Pub. Date: **Dec. 13, 2019**

(57) **CLAIM**

I claim the ornamental design for a surveillance camera, as shown and described.

(30) **Foreign Application Priority Data**

DESCRIPTION

Apr. 1, 2019 (EM) 006352985-0001

FIG. 1.1 a front view of a surveillance camera, showing my new design;

(51) **LOC (13) Cl.** **16-01**

FIG. 1.2 is a back view thereof;

(52) **U.S. Cl.**

FIG. 1.3 is a left view thereof;

USPC **D16/203**

FIG. 1.4 is a right view thereof;

(58) **Field of Classification Search**

FIG. 1.5 is a top view thereof;

USPC D16/200, 202–205, 208, 218, 219, 242

FIG. 1.6 is a bottom view thereof; and

CPC G03B 17/02; G03B 17/04; G03B 17/56;

FIG. 1.7 is a back perspective view thereof.

G03B 19/04; G03B 15/03; H04N 5/2251;

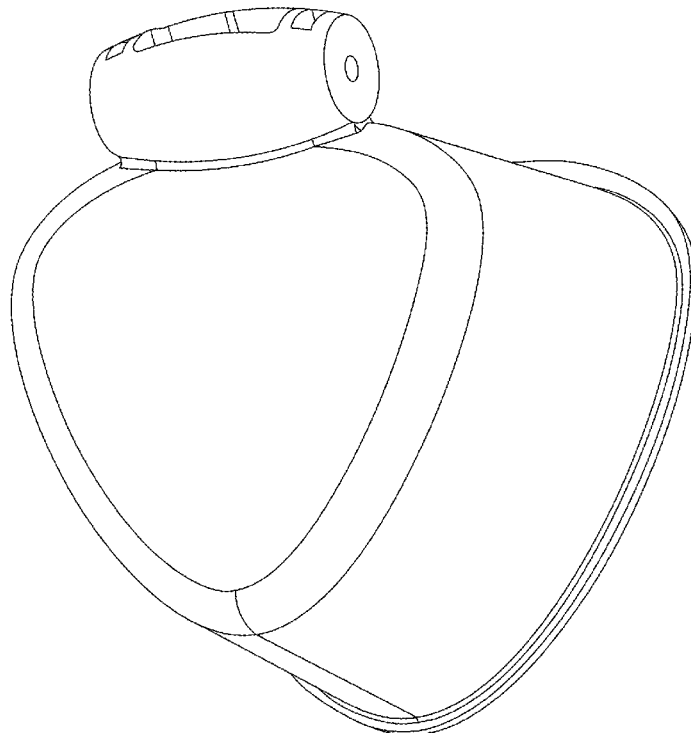
H04N 5/2252; H04N 5/2253; H04N

5/2254

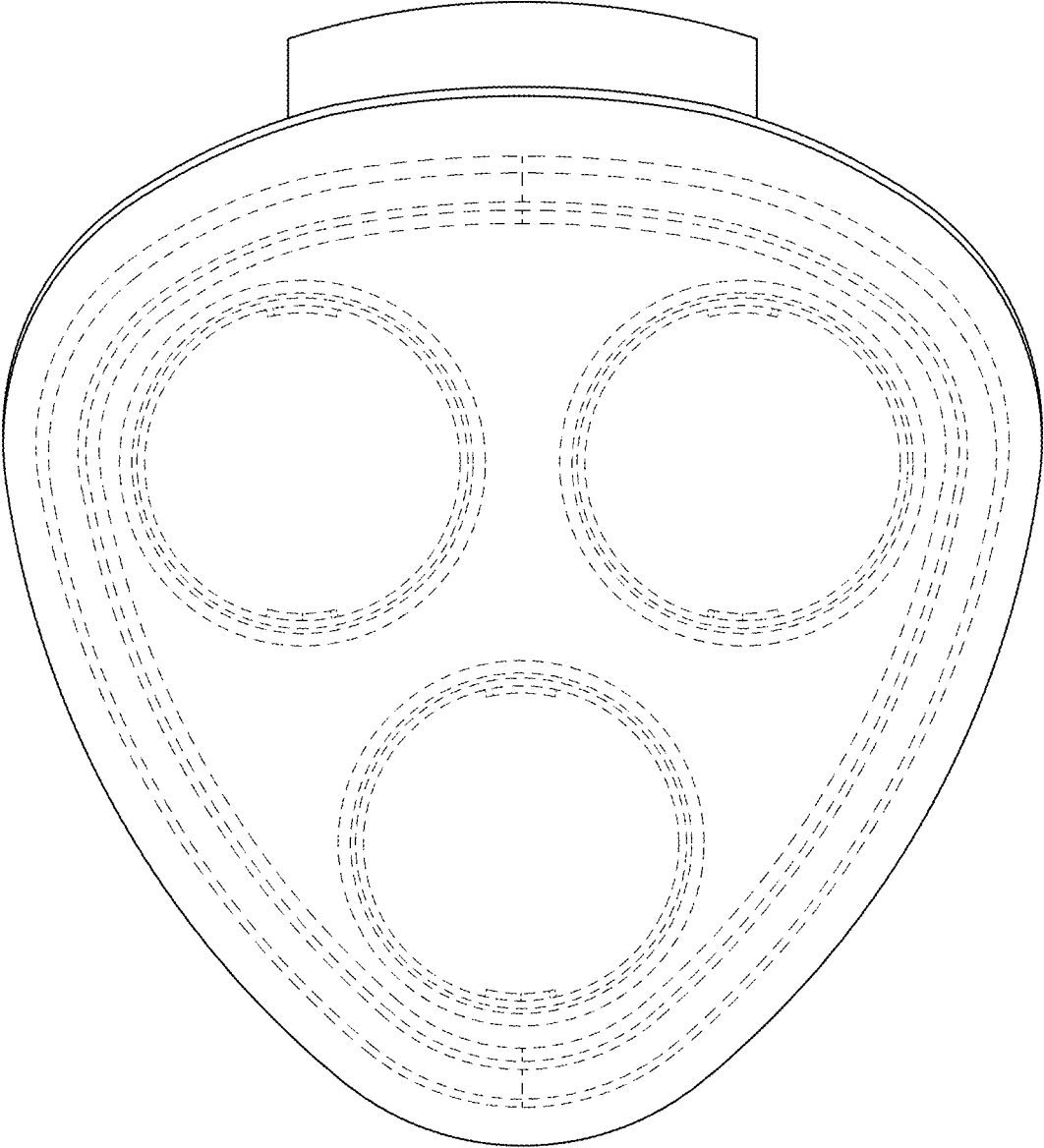
The dashed lines in the drawings depict portion of the surveillance camera that form no part of the claimed design.

See application file for complete search history.

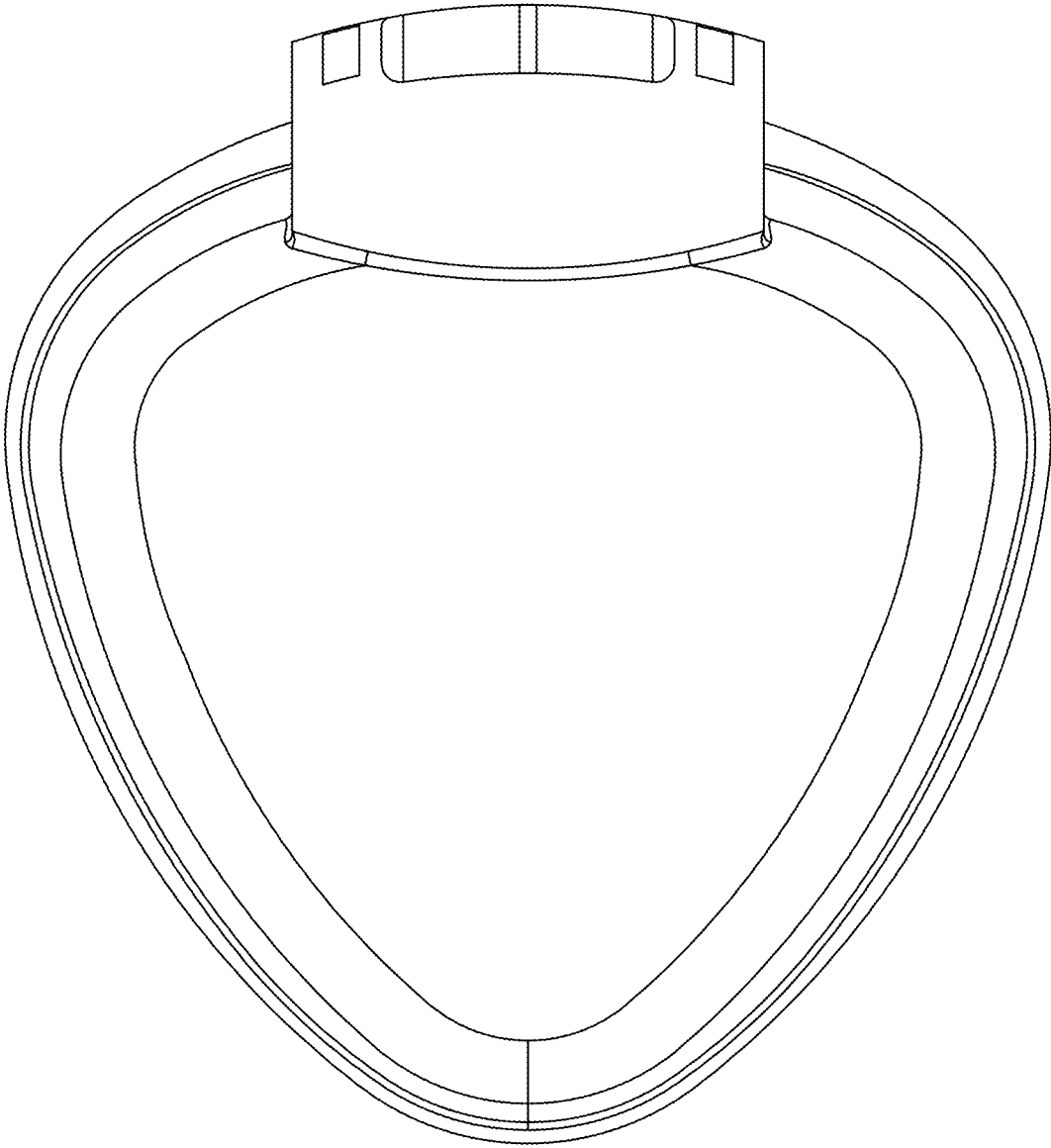
1 Claim, 7 Drawing Sheets



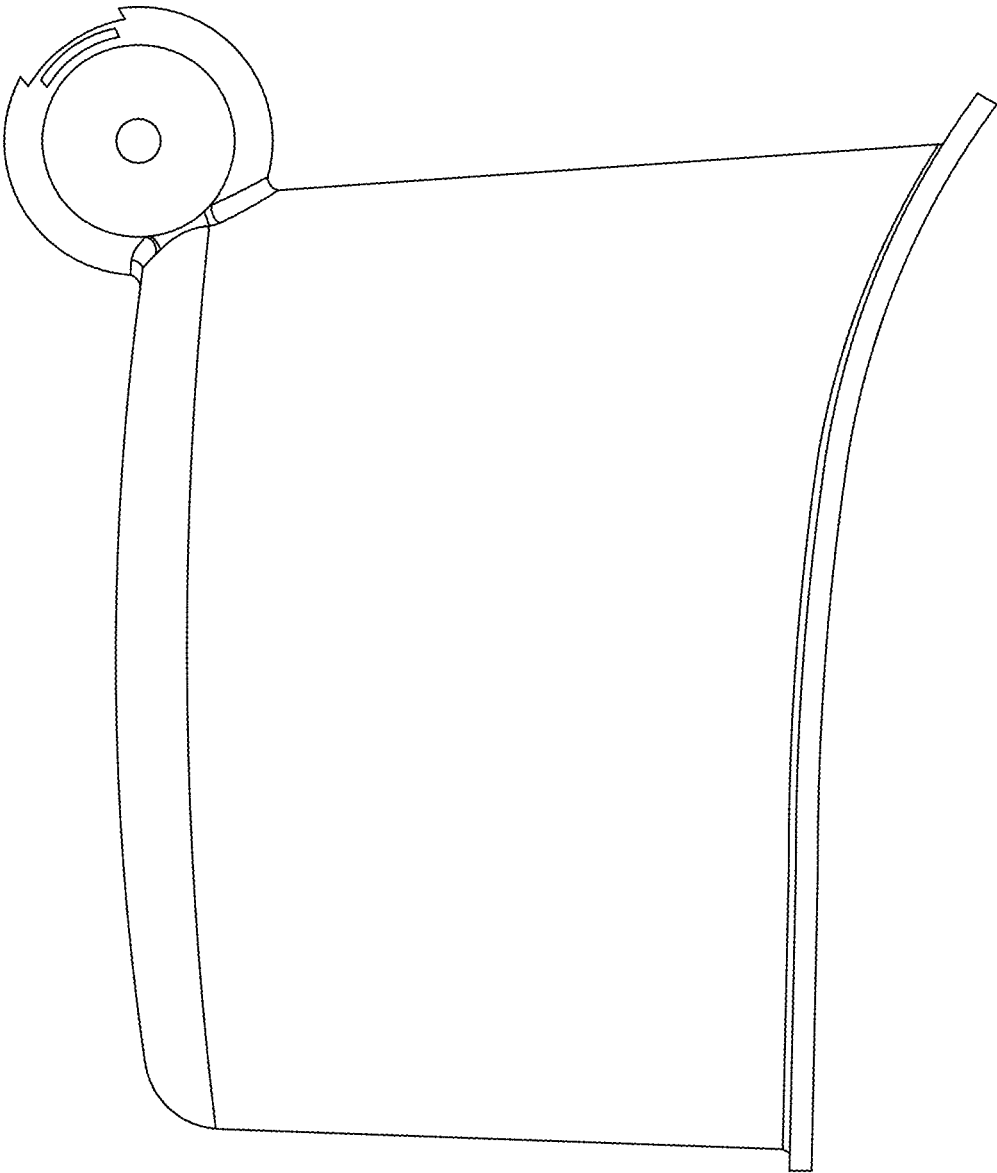
1.1



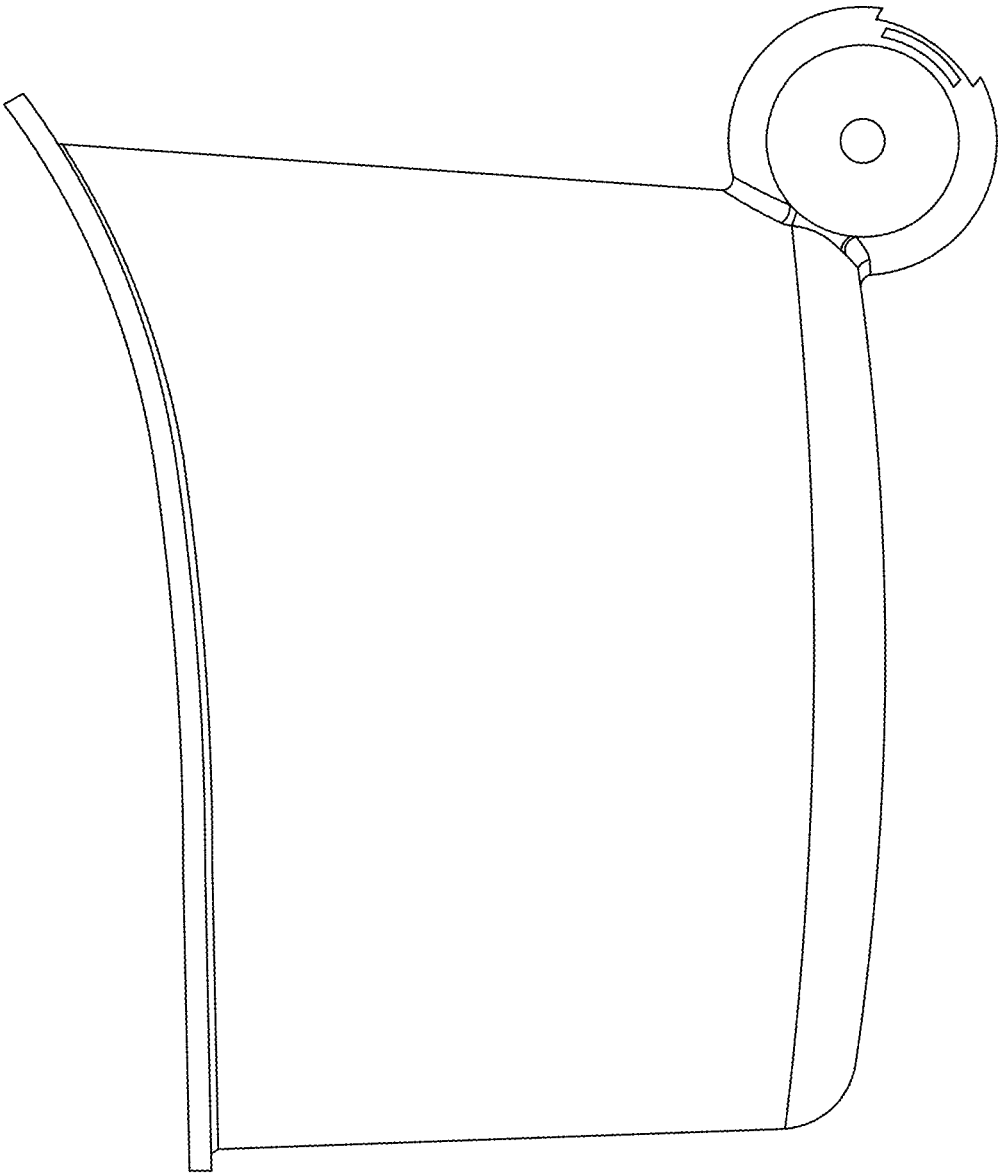
1.2



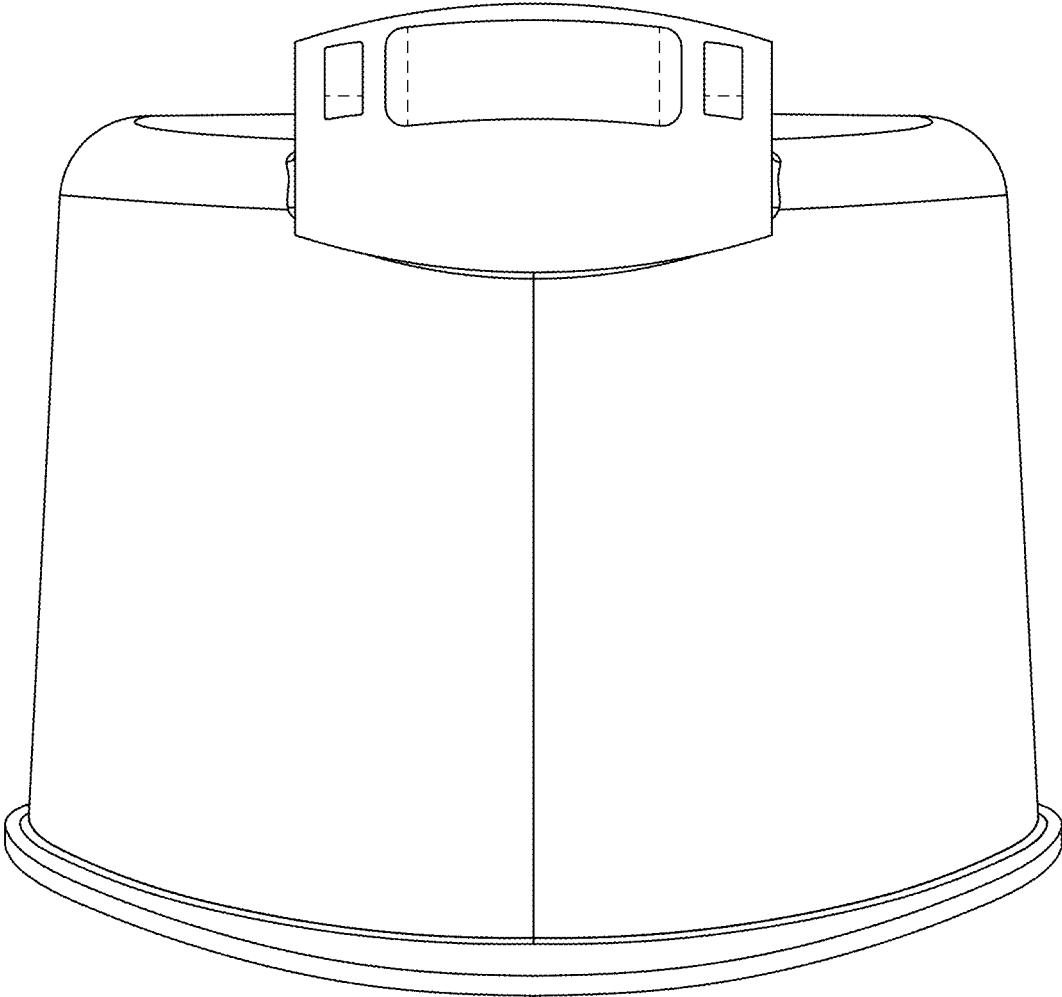
1.3



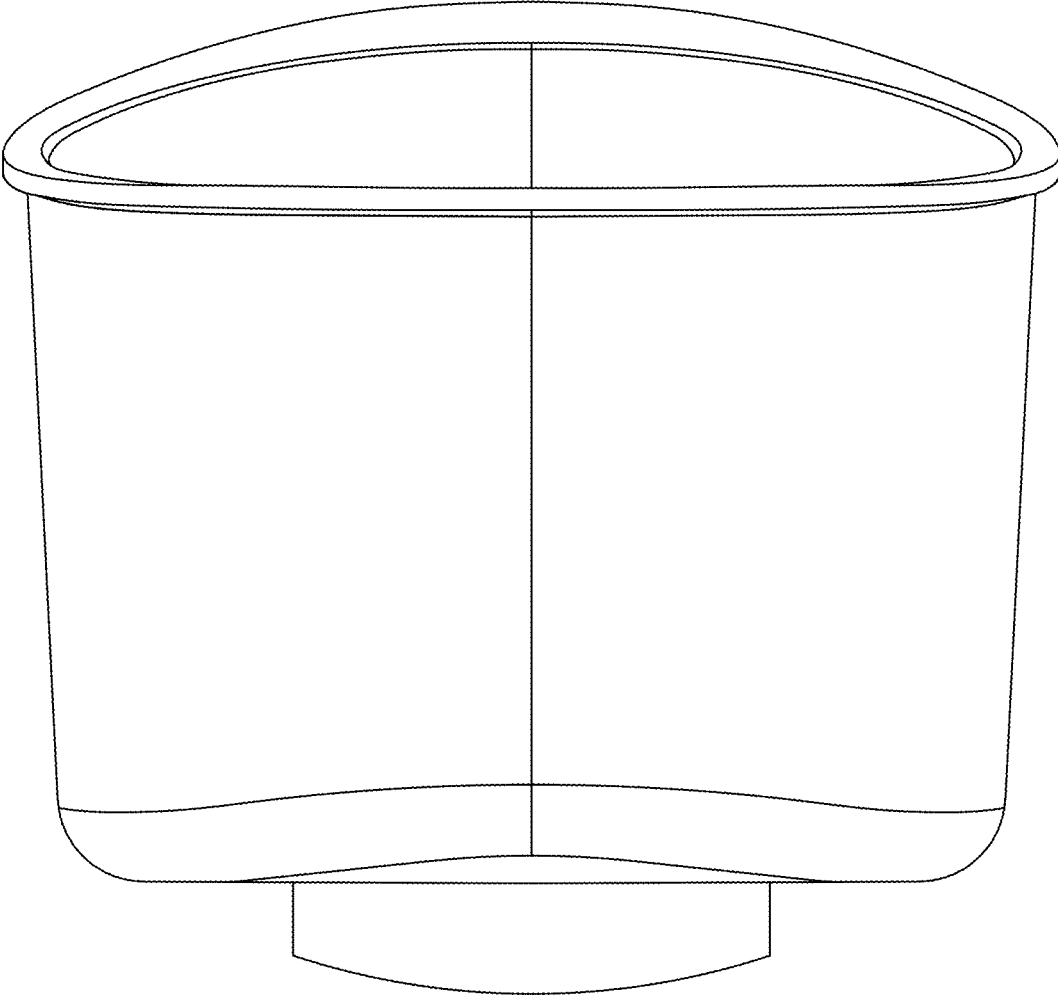
1.4



1.5



1.6



1.7

