



US00D724928S

(12) **United States Design Patent**
Kalous et al.

(10) **Patent No.:** **US D724,928 S**

(45) **Date of Patent:** **** Mar. 24, 2015**

(54) **LOCK**

(71) Applicant: **Master Lock Company LLC**, Oak Creek, WI (US)

(72) Inventors: **D. Scott Kalous**, Kenosha, WI (US);
Scott B. Stevens, St. Francis, WI (US)

(73) Assignee: **Master Lock Company LLC**, Oak Creek, WI (US)

(**) Term: **14 Years**

(21) Appl. No.: **29/483,010**

(22) Filed: **Feb. 25, 2014**

Related U.S. Application Data

(60) Division of application No. 29/454,037, filed on May 6, 2013, now Pat. No. Des. 703,023, and a continuation of application No. 13/627,567, filed on Sep. 26, 2012, now Pat. No. 8,607,600, and a continuation of application No. 12/546,140, filed on Aug. 24, 2009, now Pat. No. 8,302,435.

(51) **LOC (10) Cl.** **08-07**

(52) **U.S. Cl.**
USPC **D8/331; D8/330; D8/336**

(58) **Field of Classification Search**

CPC E05C 1/04; E05C 1/06; E05C 3/002;
E05C 3/02; E05C 5/02; E05C 9/00; E05C
19/00; E05B 17/00; E05B 67/36; E05B 67/00
USPC D8/330, 331, 336, 339, 341, 343;
70/181-189, 431, 14, 34, 33, 91, 18,
70/58, 23, 26, 124, 129, 258, 462, 53,
70/38 R; 292/86, 259 R, 288, 340, 32, 156,
292/41, 119

See application file for complete search history.

(56) **References Cited**

U.S. PATENT DOCUMENTS

1,495,115 A 5/1924 Setterburg
1,592,696 A 7/1926 Heyer

(Continued)

FOREIGN PATENT DOCUMENTS

CN 1502003 6/2004
CN ZL200720128940.4 7/2008

OTHER PUBLICATIONS

International Search Report and the Written Opinion from International Application No. PCT/US09154857, mailed Nov. 9, 2009.

(Continued)

Primary Examiner — Prabhakar Deshmukh

(74) *Attorney, Agent, or Firm* — Calfee, Halter & Griswold LLP

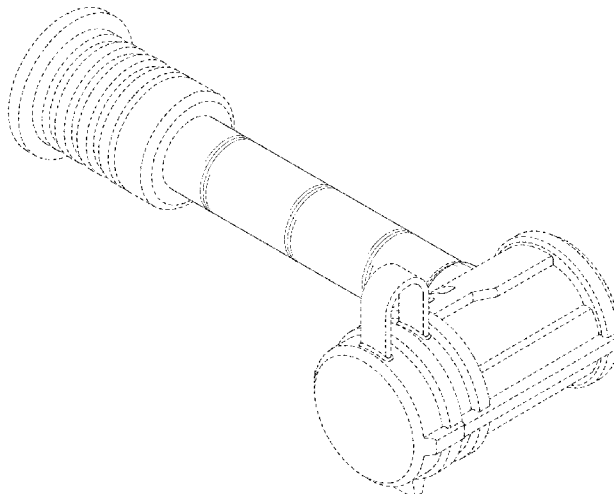
(57) **CLAIM**

We claim the ornamental design for a lock, as shown and described.

DESCRIPTION

FIG. 1 is a front left perspective view of a lock of the new design;
FIG. 2 is a front right perspective view of the lock of FIG. 1;
FIG. 3 is a top plan view of the lock of FIG. 1;
FIG. 4 is a bottom plan view of the lock of FIG. 1;
FIG. 5 is a front elevational view of the lock of FIG. 1;
FIG. 6 is a rear elevational view of the lock of FIG. 1;
FIG. 7 is a left side elevational view of the lock of FIG. 1; and,
FIG. 8 is a right side elevational view of the lock of FIG. 1.
The portions of the Figures shown in broken lines are for illustrative purpose only and form no part of the claimed design.

1 Claim, 5 Drawing Sheets



(56)

References Cited

U.S. PATENT DOCUMENTS

1,638,264 A 8/1927 Junkunc
 4,003,227 A 1/1977 Casey
 4,112,715 A 9/1978 Uyeda
 4,236,395 A 12/1980 Avaiusini
 4,576,021 A 3/1986 Holden
 4,711,106 A 12/1987 Johnson
 D295,606 S 5/1988 Ault
 4,989,892 A 2/1991 Kerins et al.
 5,000,067 A 3/1991 Kolbusz et al.
 5,119,649 A * 6/1992 Spence 70/14
 5,284,038 A 2/1994 Johnson
 5,345,794 A 9/1994 Jenks
 D356,763 S 3/1995 Herrick
 5,515,947 A 5/1996 Shiehk
 5,540,065 A 7/1996 Wyers
 5,584,495 A 12/1996 Mason
 5,638,710 A 6/1997 Howard et al.
 5,664,445 A 9/1997 Chang
 5,676,258 A 10/1997 Leyden et al.
 5,682,775 A 11/1997 Baber
 5,992,187 A 11/1999 Derman
 5,992,193 A 11/1999 Bronk, III
 6,055,832 A 5/2000 Wyers
 D428,795 S * 8/2000 Wyers D8/341
 D439,827 S 4/2001 Wyers
 D444,050 S 6/2001 Wyers
 D445,667 S 7/2001 Johnson
 D447,043 S * 8/2001 Wyers D8/339
 6,334,561 B1 1/2002 Cole
 6,364,339 B1 4/2002 Lee
 6,402,181 B1 6/2002 Lee
 6,419,258 B1 7/2002 Grote
 6,425,272 B1 * 7/2002 Chen 70/34
 D461,392 S 8/2002 Zapushek
 6,427,496 B1 8/2002 Hurst
 6,457,336 B1 10/2002 Bremicker
 6,543,260 B2 4/2003 Koy et al.
 6,575,000 B1 6/2003 Li
 6,619,078 B1 9/2003 Reese
 6,644,071 B2 11/2003 Gilbertson et al.
 D484,773 S 1/2004 Wyers
 6,672,115 B2 1/2004 Wyers
 6,773,200 B2 8/2004 Cole
 6,789,405 B1 9/2004 Mathers
 6,796,154 B2 9/2004 Gebow et al.
 6,802,523 B1 10/2004 Proffitt
 6,813,918 B2 11/2004 Reese
 6,862,905 B2 3/2005 Zapushek

6,913,413 B2 7/2005 Yang
 6,932,376 B1 8/2005 Proffitt
 D511,292 S 11/2005 Hohmann et al.
 6,962,066 B2 11/2005 Larsen et al.
 7,051,558 B2 5/2006 Mathers
 D524,142 S 7/2006 Recknagel et al.
 7,165,426 B2 1/2007 Wyers
 7,225,649 B2 6/2007 Wyers
 D548,564 S 8/2007 Frantz
 7,316,534 B2 1/2008 Hohmann et al.
 7,338,065 B1 3/2008 Clausen
 7,347,441 B2 3/2008 Rosario
 D565,387 S 4/2008 Remark et al.
 7,353,671 B2 4/2008 Recknagel et al.
 7,431,319 B2 10/2008 Staggs
 7,448,236 B2 11/2008 Recknagel et al.
 D587,095 S 2/2009 Johnson
 D589,779 S 4/2009 Wrase et al.
 7,530,590 B2 5/2009 Staggs
 7,568,718 B1 8/2009 Thomas
 D605,927 S 12/2009 Wyers
 7,698,916 B2 4/2010 Davis
 7,946,142 B2 5/2011 Matyko et al.
 D646,951 S * 10/2011 Tsai D8/330
 8,061,730 B2 11/2011 Bernart
 8,302,435 B2 11/2012 Burmesch et al.
 8,607,600 B2 12/2013 Burmesch et al.
 D703,023 S * 4/2014 Kalous et al. D8/331
 2002/0073746 A1 6/2002 Wyers
 2002/0104338 A1 8/2002 Koy et al.
 2002/0108407 A1 8/2002 Zapushek
 2004/0080141 A1 4/2004 Hart
 2004/0139771 A1 7/2004 Wyers
 2007/0044523 A1 3/2007 Davis
 2007/0137266 A1 6/2007 Hsai
 2007/0180871 A1 8/2007 Irgens et al.
 2008/0178640 A1 7/2008 Davis
 2008/0196454 A1 8/2008 Frantz

OTHER PUBLICATIONS

First Office Action from Chinese Patent Application No. 200980132956.4, dated Sep. 5, 2012.
 Second Office Action from Chinese Patent Application No. 200980132956.4, dated Apr. 19, 2013.
 Third Office Action from Chinese Patent Application No. 200980132956.4, dated Dec. 4, 2013.
 Office Action from Canadian Patent Application No. 2732460, dated Mar. 2, 2012.

* cited by examiner

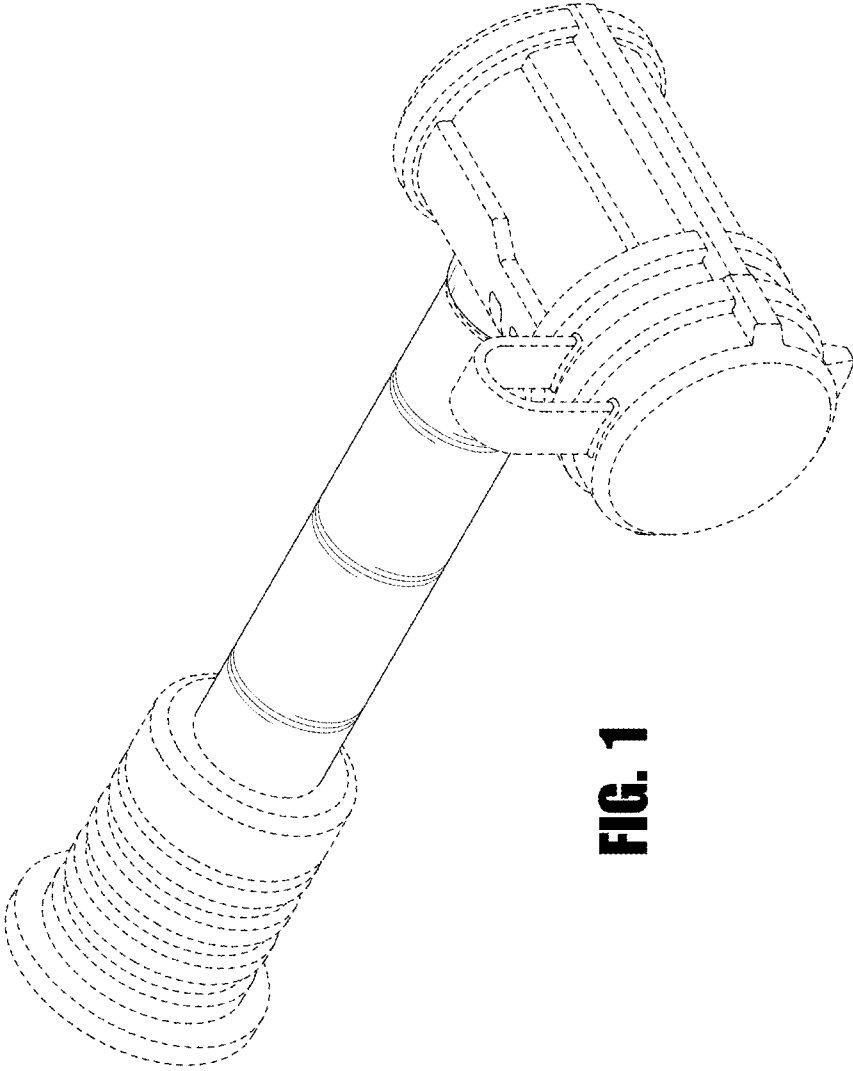


FIG. 1

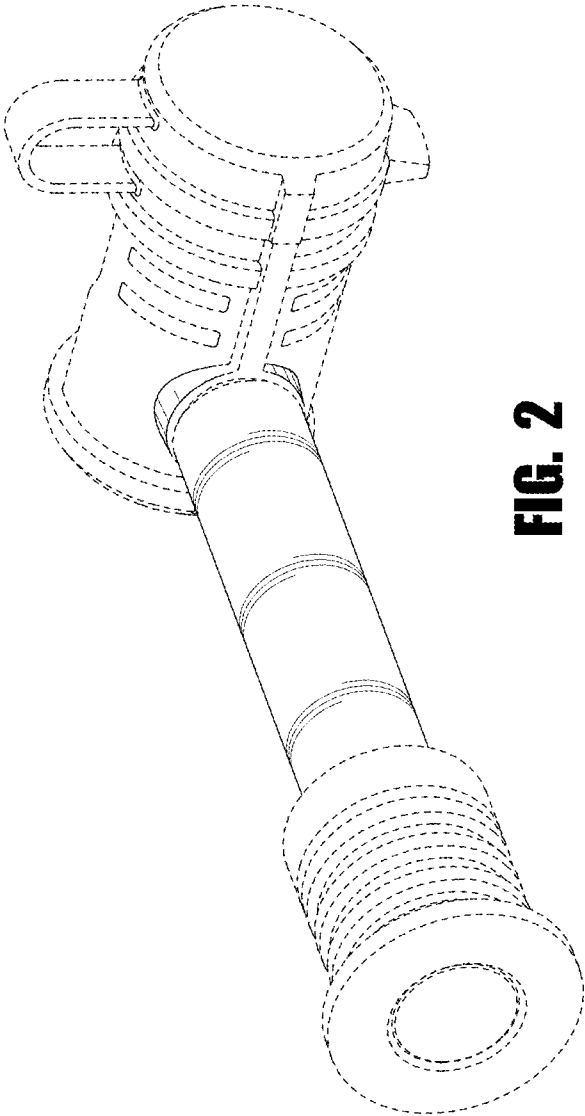


FIG. 2

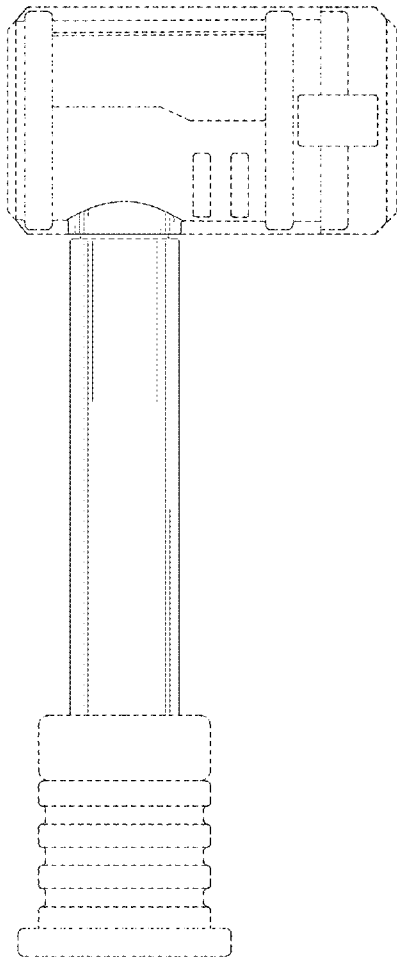


FIG. 3

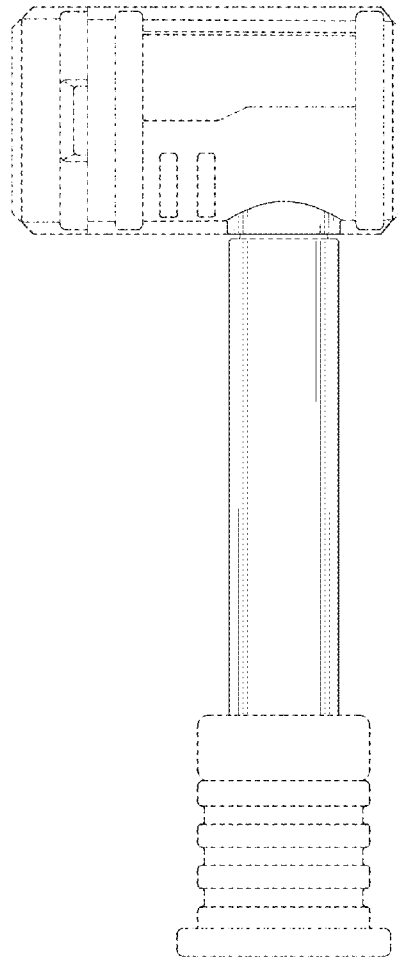


FIG. 4

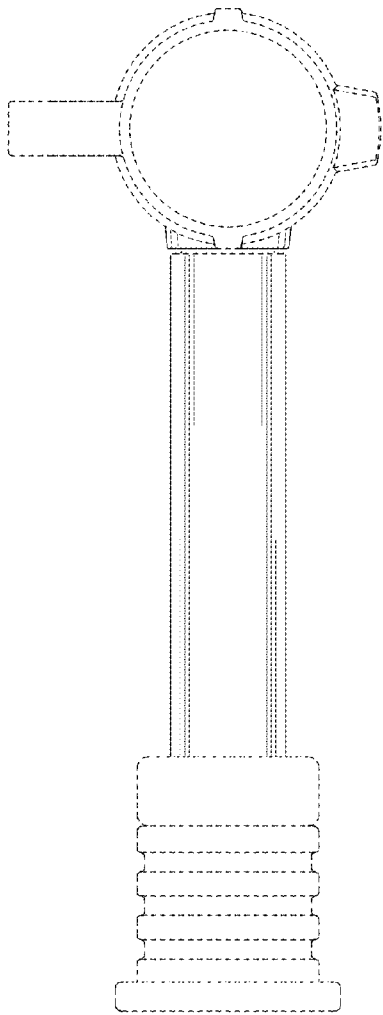


FIG. 5

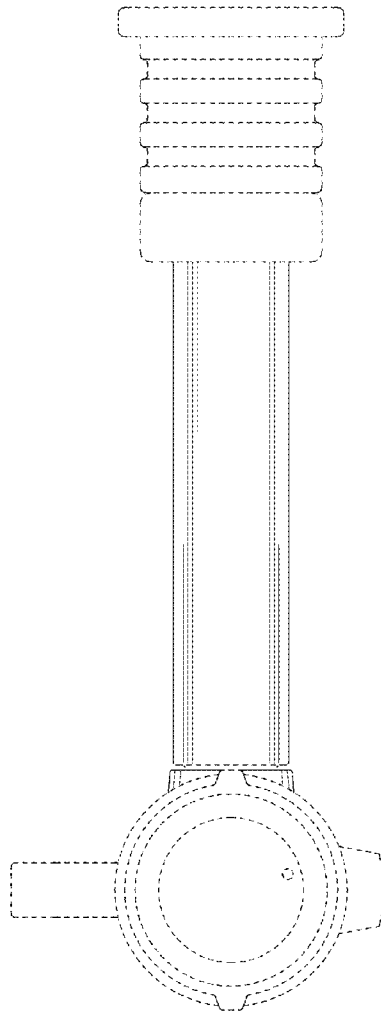


FIG. 6

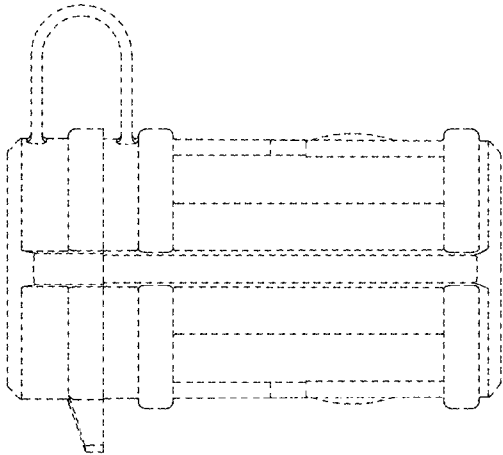


FIG. 7

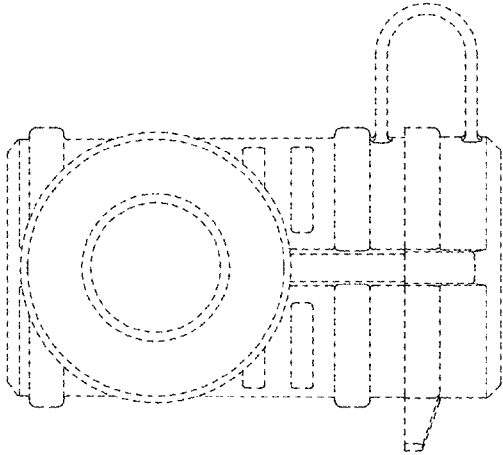


FIG. 8