



US00D525638S

(12) **United States Design Patent**  
**Nakamura**

(10) **Patent No.:** **US D525,638 S**

(45) **Date of Patent:** **\*\* Jul. 25, 2006**

(54) **DIGITAL STILL CAMERA**

(75) Inventor: **Makoto Nakamura**, Kyoto (JP)

(73) Assignee: **Matsushita Electric Industrial Co., Ltd.**, Osaka (JP)

(\*\*) Term: **14 Years**

(21) Appl. No.: **29/224,249**

(22) Filed: **Feb. 25, 2005**

(30) **Foreign Application Priority Data**

Aug. 27, 2004 (JP) ..... 2004-025738

(51) **LOC (8) Cl.** ..... **16-01**

(52) **U.S. Cl.** ..... **D16/202; D16/218**

(58) **Field of Classification Search** ..... D16/200–206,  
D16/208, 218; 348/373–376; 358/909.1;  
396/535–541

See application file for complete search history.

(56) **References Cited**

**U.S. PATENT DOCUMENTS**

D385,569 S	10/1997	Takimura
D392,659 S	3/1998	Takano
D407,098 S	3/1999	Goto et al.
D418,851 S	1/2000	Goto et al.
D423,031 S	4/2000	Shinohara et al.
D424,084 S	5/2000	Senda
D424,085 S	5/2000	Naito
D425,091 S	5/2000	Konno et al.
D431,583 S	10/2000	Matsuda
D432,150 S	10/2000	Senda
D441,001 S	4/2001	Naito
D445,440 S	7/2001	Chen

D457,903 S	5/2002	Nasu	
6,434,337 B1	8/2002	Misawa	
D462,978 S	9/2002	Nicklos et al.	
6,463,222 B1 *	10/2002	Ito et al. ....	396/541
D469,456 S	1/2003	Nakamura et al.	
D470,162 S	2/2003	Nakamura et al.	
D473,576 S	4/2003	Watanabe	
D473,577 S	4/2003	Nakamura	
D473,886 S	4/2003	Katayama	
D484,157 S	12/2003	Watanabe et al.	
D486,168 S	2/2004	Nakamura	
D495,727 S *	9/2004	Dow et al. ....	D16/202
D497,926 S *	11/2004	Yanagisawa et al. ....	D16/202
D503,417 S *	3/2005	Kawase	D16/202
D505,967 S *	6/2005	Ko et al. ....	D16/218
D507,586 S *	7/2005	Nakamura	D16/202

\* cited by examiner

*Primary Examiner*—Adir Aronovich  
(74) *Attorney, Agent, or Firm*—Brinks Hofer Gilson & Lione

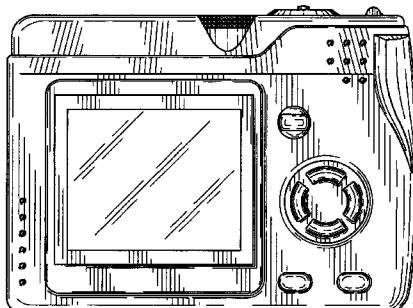
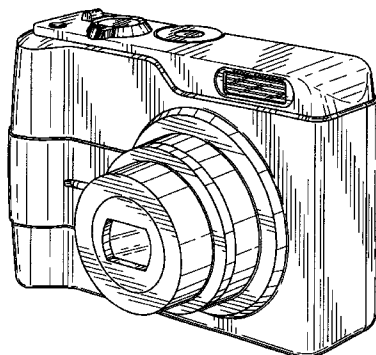
(57) **CLAIM**

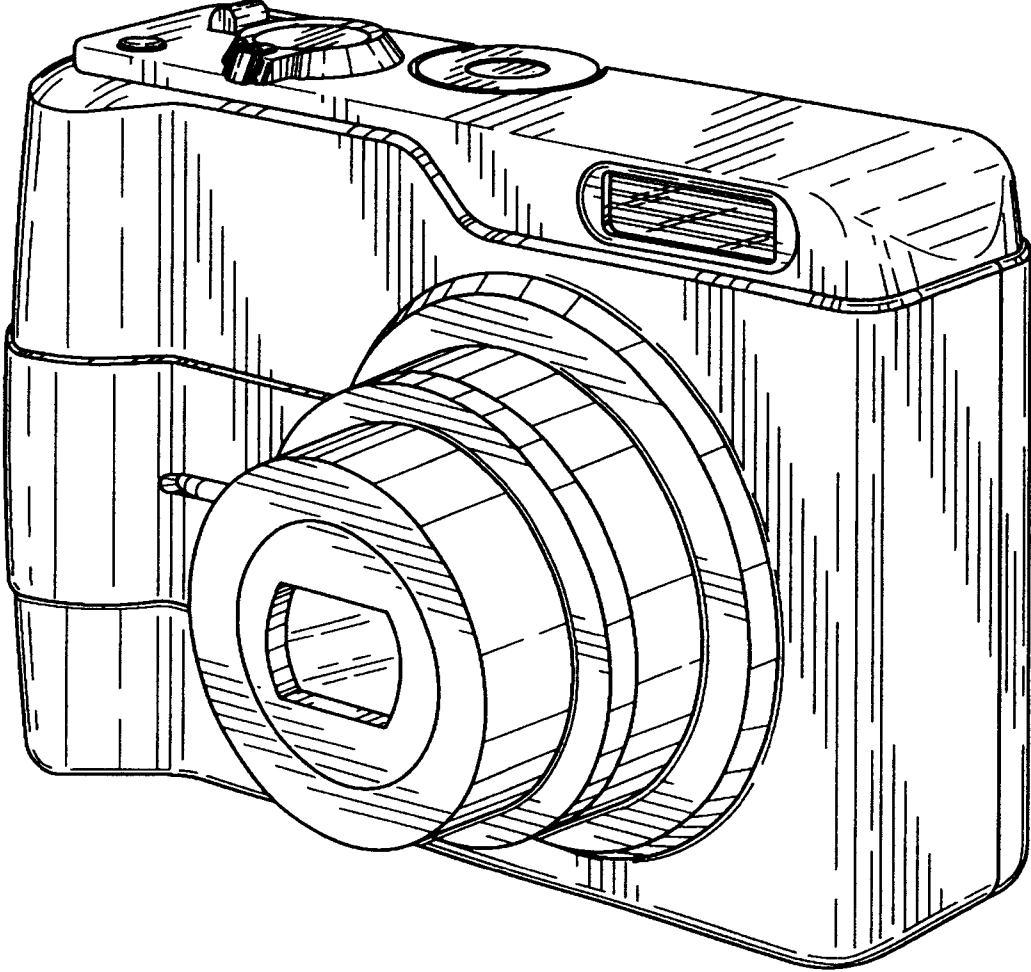
I claim the ornamental design for a digital still camera, as shown and described.

**DESCRIPTION**

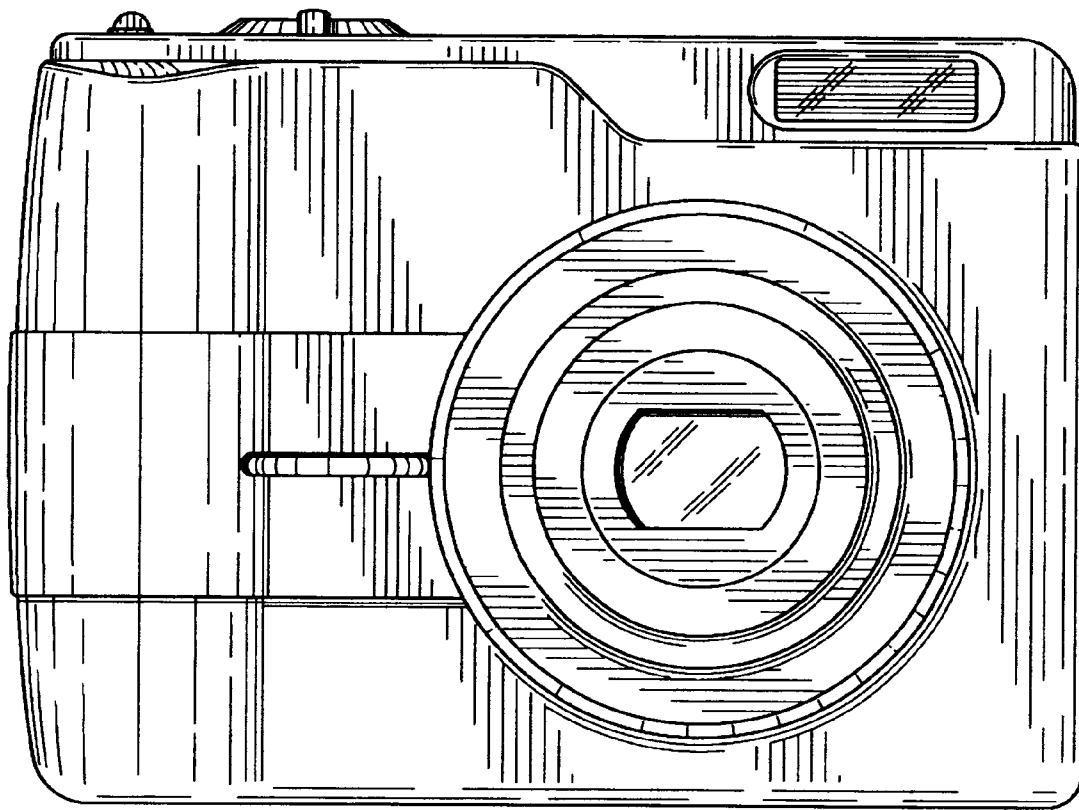
FIG. 1 is a top perspective view of a digital still camera of the present invention;  
FIG. 2 is a front view thereof;  
FIG. 3 is a rear view thereof;  
FIG. 4 is a first side view thereof;  
FIG. 5 is a second side view thereof;  
FIG. 6 is a top view thereof; and,  
FIG. 7 is a bottom view thereof.

**1 Claim, 7 Drawing Sheets**





**FIG. 1**



**FIG. 2**

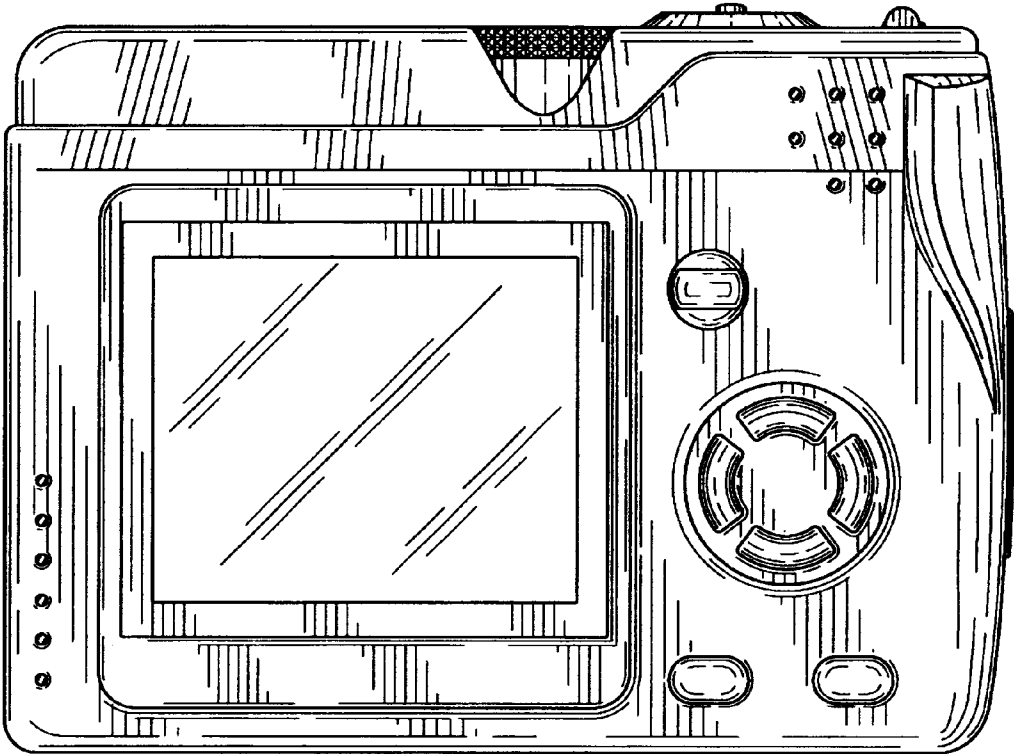
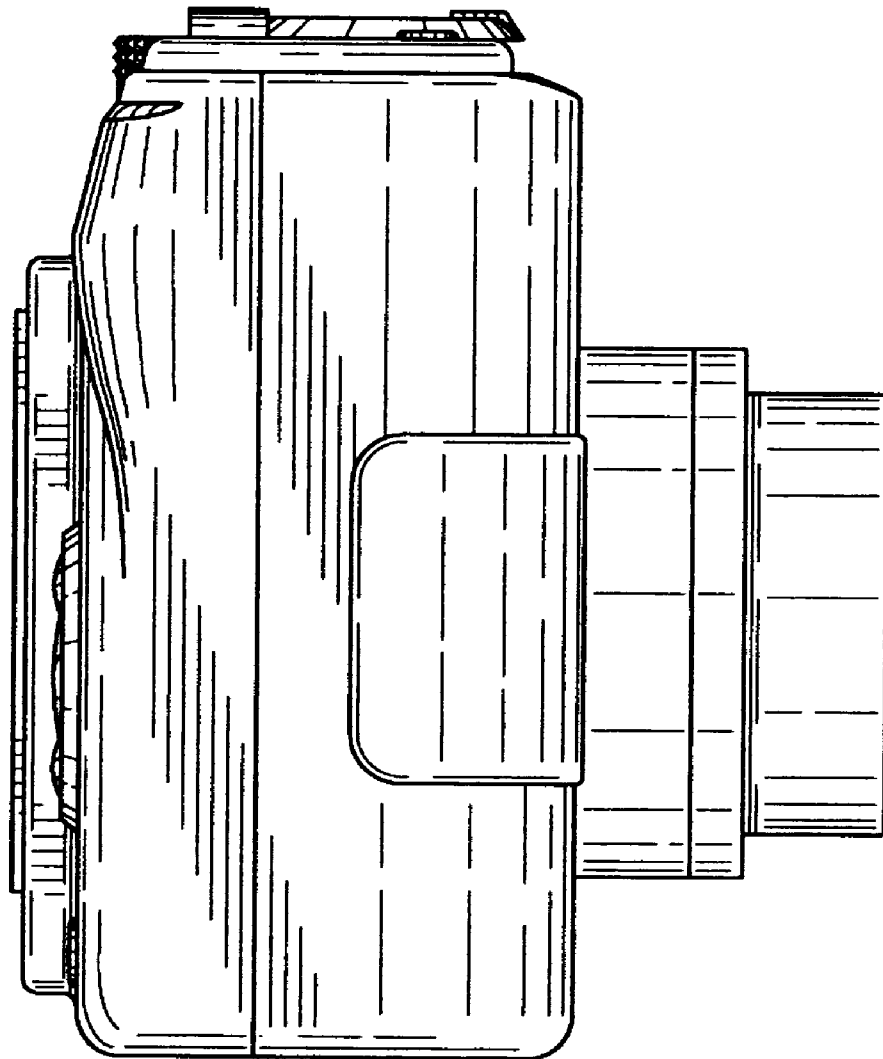
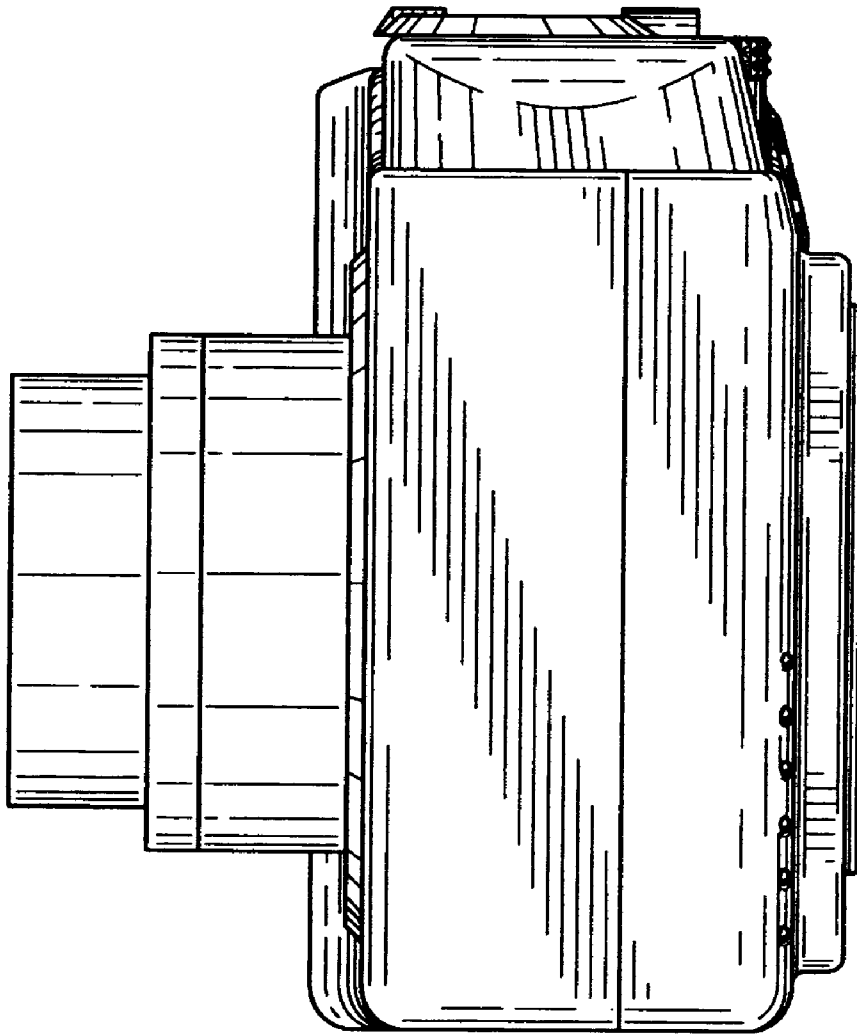


FIG. 3



**FIG. 4**



**FIG. 5**

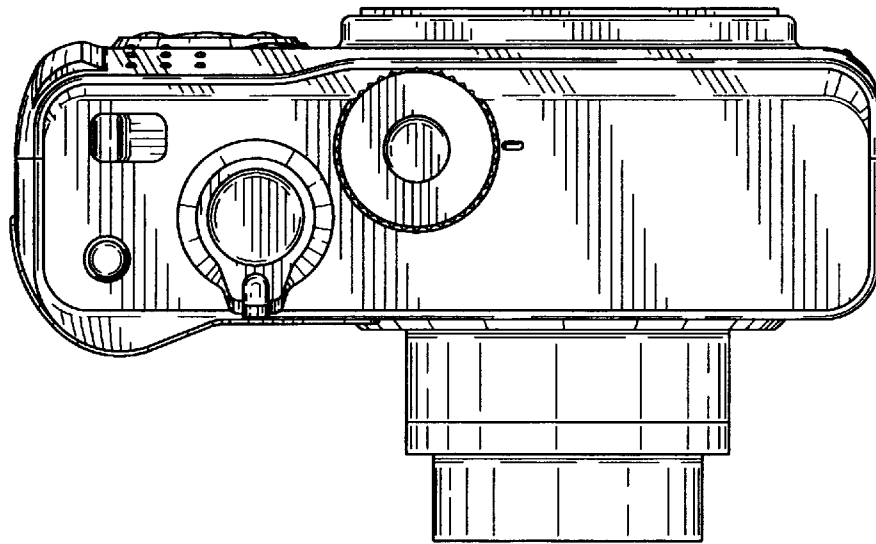
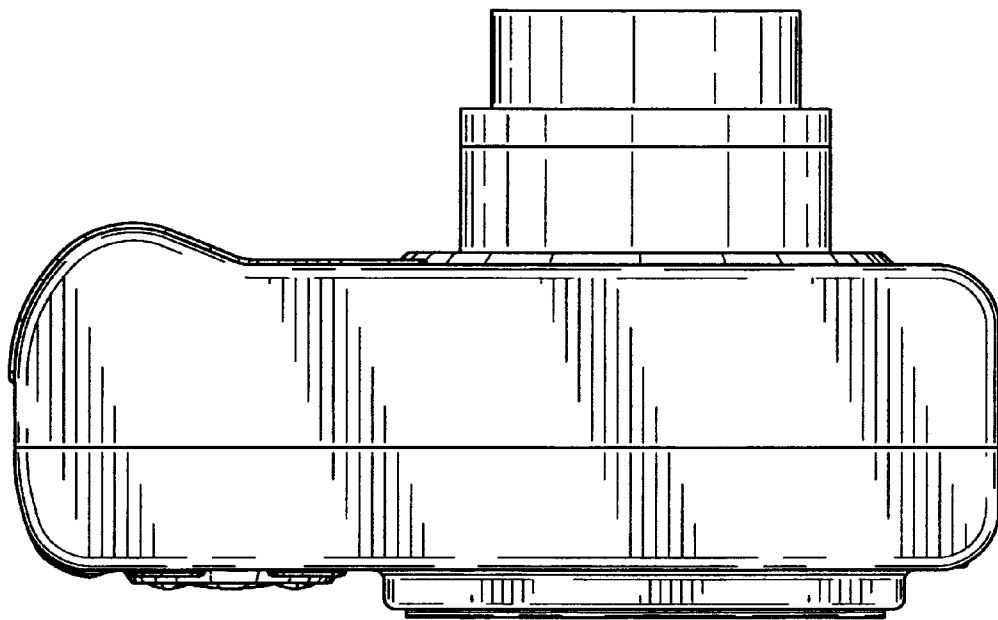


FIG. 6



**FIG. 7**