



US00D502844S

(12) **United States Design Patent**  
**Rohe**

(10) **Patent No.:** **US D502,844 S**

(45) **Date of Patent:** **\*\* Mar. 15, 2005**

(54) **TRAVEL MUG**

(76) Inventor: **Jeff Rohe**, 1159 Ty Dr., Medina, OH  
(US) 44256

(\*\*) Term: **14 Years**

(21) Appl. No.: **29/190,300**

(22) Filed: **Sep. 17, 2003**

(51) **LOC (7) Cl.** ..... **07-01**

(52) **U.S. Cl.** ..... **D7/510; D7/511; D7/523**

(58) **Field of Search** ..... **D7/510, 511, 523,**  
**D7/532, 509, 533; 215/388; 220/703, 705,**  
**710, 603, 714, 715, 23.83, 769; 206/217,**  
**541; 222/568, 129; D9/549, 503, 506, 453,**  
**434, 447**

(56) **References Cited**

**U.S. PATENT DOCUMENTS**

5,588,561 A	*	12/1996	Ness	.....	222/129
D377,293 S	*	1/1997	Husted	.....	D7/510
D399,392 S	*	10/1998	Husted	.....	D7/511
D433,599 S	*	11/2000	Kristiansen et al.	.....	D7/523
D442,029 S	*	5/2001	Otake	.....	D7/510
D453,446 S	*	2/2002	Bodum	.....	D7/510
D457,035 S	*	5/2002	Hurlbut	.....	D7/510
D457,395 S	*	5/2002	Gluck	.....	D7/510
D458,081 S	*	6/2002	Bodum	.....	D7/510
D458,844 S	*	6/2002	Shea	.....	D9/447
D459,992 S	*	7/2002	Olsen	.....	D9/447
D460,894 S	*	7/2002	Ziegenfus et al.	.....	D7/523
D462,236 S	*	9/2002	Hurlbut	.....	D7/510
D476,193 S	*	6/2003	Janky	.....	D7/510
D478,779 S	*	8/2003	Stamper, III et al.	.....	D7/510
D480,267 S	*	10/2003	Freed et al.	.....	D7/510
D482,933 S	*	12/2003	Norris et al.	.....	D7/533

D483,615 S	*	12/2003	Norris et al.	.....	D7/533
D486,996 S	*	2/2004	Karp	.....	D7/510
D488,376 S	*	4/2004	Chung	.....	D9/434
D490,272 S	*	5/2004	Rohe	.....	D7/510
D492,157 S	*	6/2004	Bodum	.....	D7/510

\* cited by examiner

*Primary Examiner*—M. N. Pandozzi

(74) *Attorney, Agent, or Firm*—Hahn Loeser Parks, LLP;  
W. Edward Crooks, Esq.

(57) **CLAIM**

The ornamental design for a travel mug, as shown and described.

**DESCRIPTION**

FIG. 1 is a perspective view of a travel mug in accordance with a first preferred embodiment of the present invention; FIG. 2 is a front view of the travel mug illustrated in FIG. 1;

FIG. 3 is a rear view of the travel mug illustrated in FIG. 1;

FIG. 4 is a right side view of the travel mug illustrated in FIG. 1;

FIG. 5 is a left side view of the travel mug illustrated in FIG. 1;

FIG. 6 is a top view of the travel mug illustrated in FIG. 1;

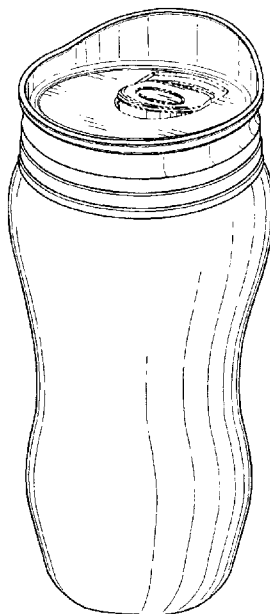
FIG. 7 is a bottom view of the travel mug illustrated in FIG. 1;

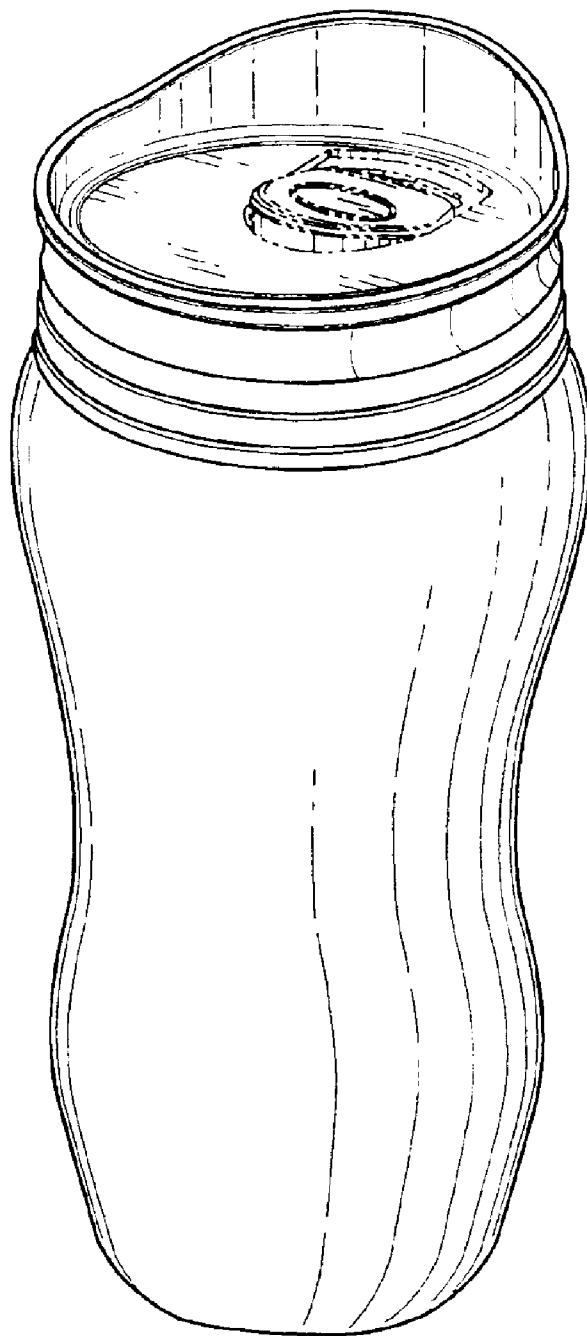
FIG. 8 is a perspective view of a second embodiment of a travel mug; and,

FIG. 9 is a top view of the travel mug illustrated in FIG. 8, all views of the second embodiment other than FIGS. 8 and 9 being identical to the first embodiment.

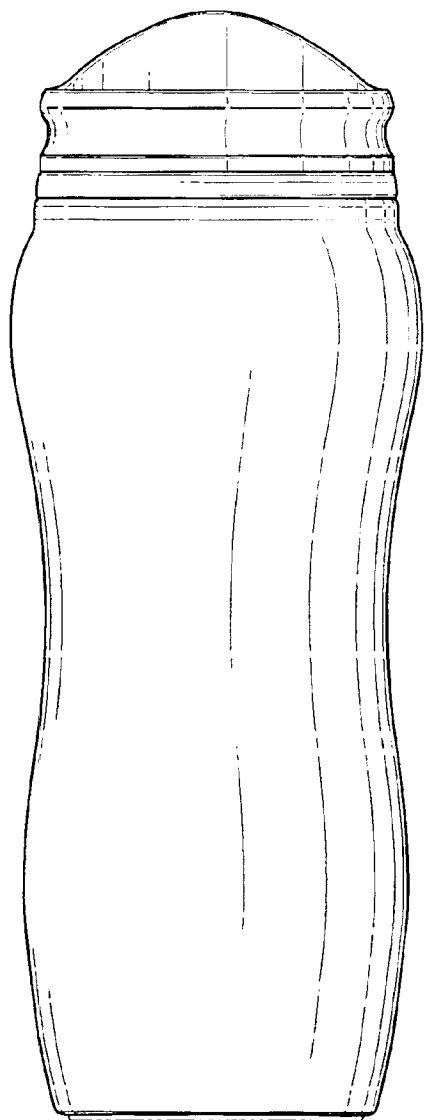
The broken lines shown in FIGS. 1-7 are for illustrative purposes only and form no part of the claimed invention.

**1 Claim, 5 Drawing Sheets**

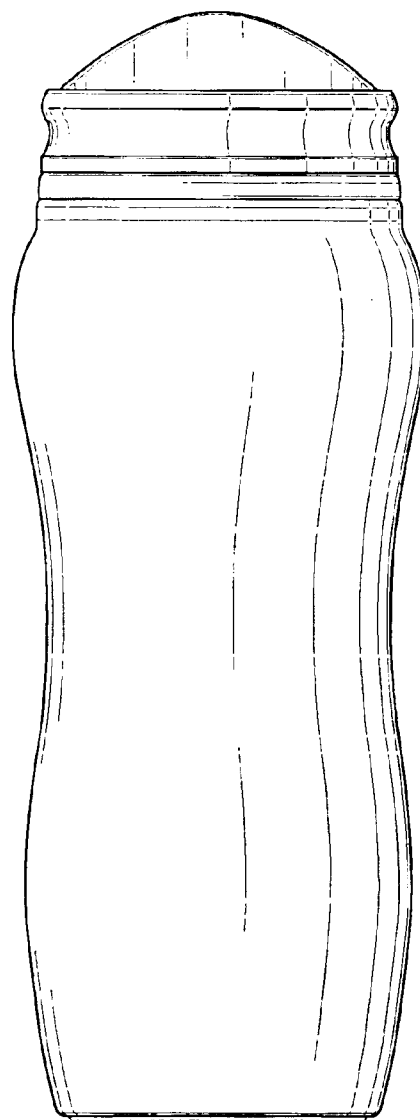




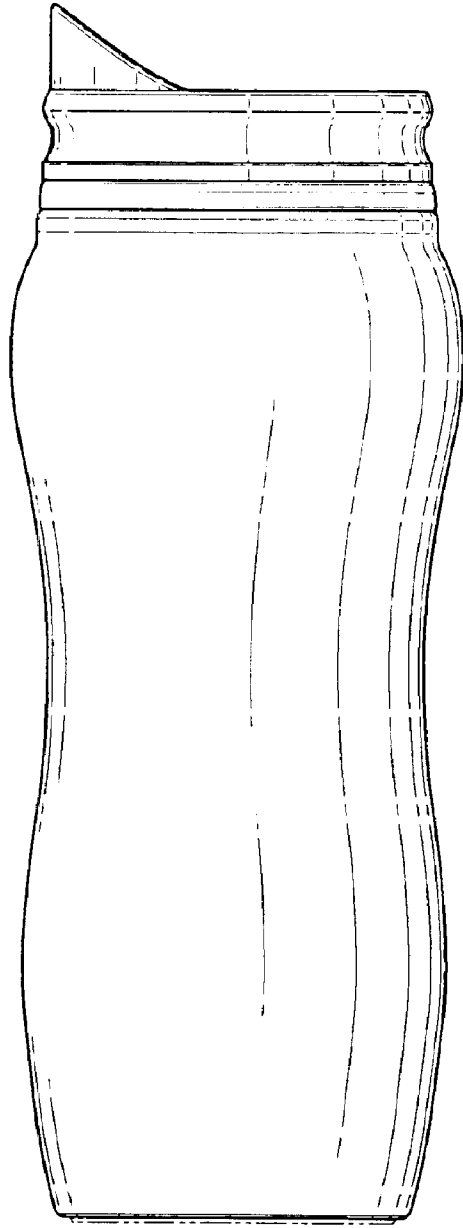
*Fig. 1*



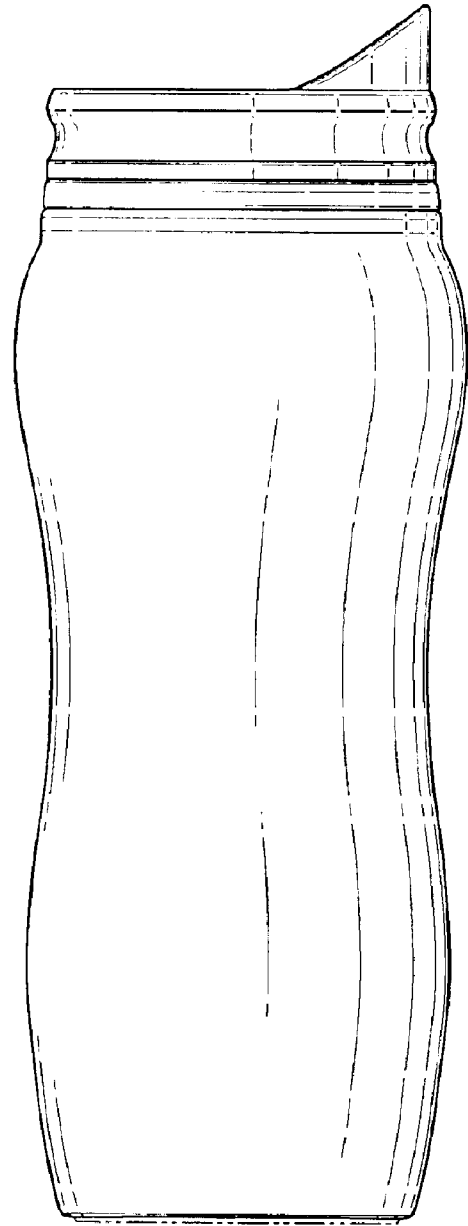
*Fig. 2*



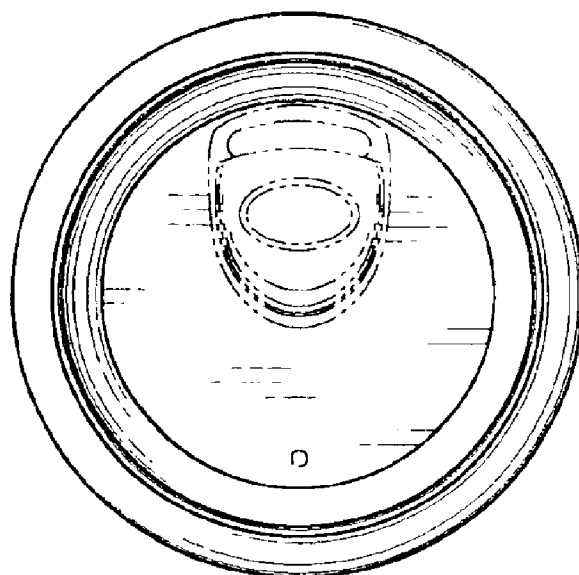
*Fig. 3*



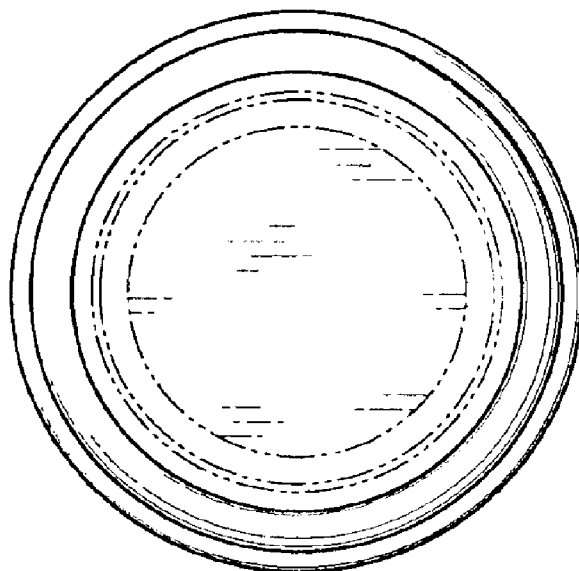
*Fig. 4*



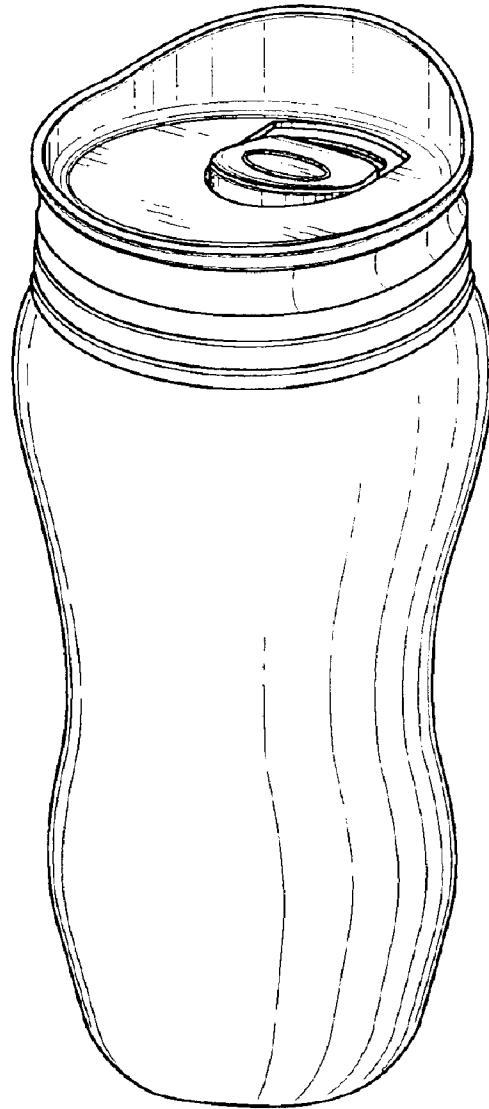
*Fig. 5*



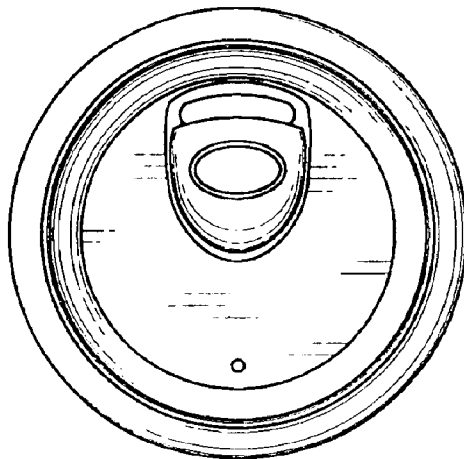
*Fig. 6*



*Fig. 7*



*Fig. 8*



*Fig. 9*