



US0D1053308S

(12) **United States Design Patent**
Kuppert et al.

(10) **Patent No.:** **US D1,053,308 S**

(45) **Date of Patent:** **** Dec. 3, 2024**

(54) **HANDSPRAY**

(71) Applicant: **Grohe AG**, Hemer (DE)

(72) Inventors: **Christoph Kuppert**, Cologne (DE);
Patrick Speck, London (GB)

(73) Assignee: **Grohe AG**, Hemer (DE)

(**) Term: **15 Years**

(21) Appl. No.: **29/834,484**

(22) Filed: **Apr. 12, 2022**

(30) **Foreign Application Priority Data**

Oct. 20, 2021 (EM) 008730691-0001

(51) **LOC (14) Cl.** **23-01**

(52) **U.S. Cl.** **D23/226**
USPC

(58) **Field of Classification Search**

USPC D23/213, 223, 225, 226, 228, 238, 241,
D23/242, 249, 255, 257

CPC B05B 11/06; B05B 7/32; B05B 7/2424;
B05B 7/2491; B05B 7/2413; B05B
7/1209

See application file for complete search history.

(56) **References Cited**

U.S. PATENT DOCUMENTS

| | | | |
|----------------|---------|---------------------|-----------------------|
| D267,188 S * | 12/1982 | Thompson | D23/255 |
| 4,366,368 A * | 12/1982 | Stephens, III | F24H 3/062 392/385 |
| D311,438 S * | 10/1990 | Strignano | D23/242 |
| 4,979,680 A * | 12/1990 | Bauch | B05B 5/047 239/708 |
| 5,622,313 A * | 4/1997 | Lader | B05B 5/047 239/3 |
| 6,751,886 B2 * | 6/2004 | Chang | A45D 20/50 34/96 |
| D517,650 S * | 3/2006 | Shieh | D23/238 |
| D524,414 S * | 7/2006 | Marcichow | D23/238 |
| D761,936 S * | 7/2016 | Flowers | D23/223 |
| D811,533 S * | 2/2018 | Schoenherr | D23/238 |

| | | | |
|--------------|--------|------------------|---------|
| D811,534 S * | 2/2018 | Schoenherr | D23/238 |
| D813,989 S * | 3/2018 | Schoenherr | D23/238 |
| D873,964 S * | 1/2020 | Soulier | D23/238 |
| D885,526 S * | 5/2020 | Hsu | D23/255 |

(Continued)

FOREIGN PATENT DOCUMENTS

EM 008730691-0002 A1 * 10/2021

OTHER PUBLICATIONS

Grohe 31616000 Essence Pull-Out Kitchen Faucet Chrome, date first available, May 5, 2020 [online], [retrieved Jan. 22, 2024]. Retrieved from internet, https://www.amazon.com/GROHE-31616000-Smartcontrol-Pull-Out-Starlight/dp/B0883FCYW7/ref=sr_1_1_ssapa?crid=1A2AU7852JXA1&keywords=grohe%2Bsmart%2Bcontrol%2B%2Ctools%2C115&sr=1-1-spons&sp_csd=d2lkZ2V0TmFtZT1zcF9hdGY&th=1 (Year: 2020).*

(Continued)

Primary Examiner — Jack Reickel

Assistant Examiner — Bobby W Jones, II

(74) *Attorney, Agent, or Firm* — WENDEROTH, LIND & PONACK, L.L.P.

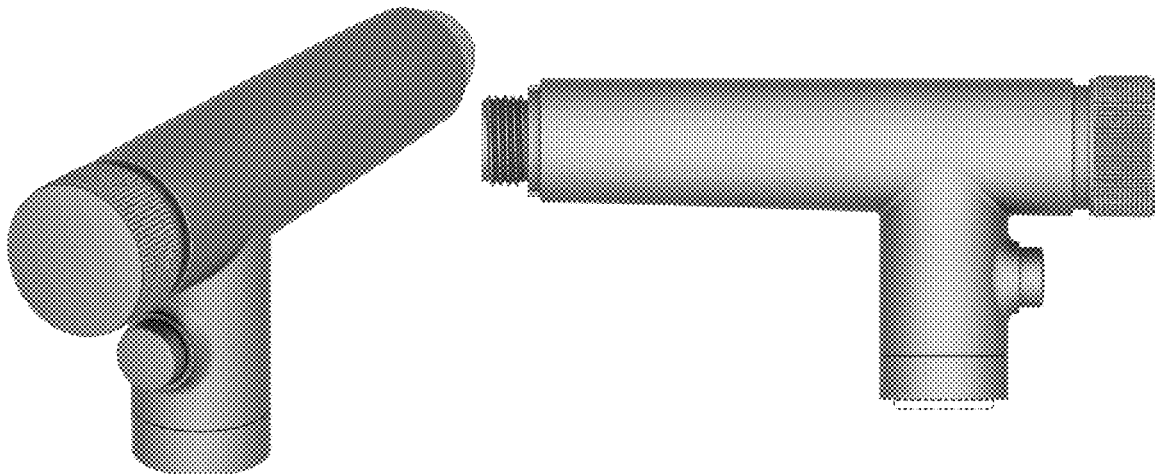
(57) **CLAIM**

The ornamental design for a handspray, as shown and described.

DESCRIPTION

FIG. 1 is a perspective view of a handspray showing our new design;
FIG. 2 is a left side view thereof;
FIG. 3 is a right side view thereof;
FIG. 4 is a front view thereof;
FIG. 5 is a back view thereof;
FIG. 6 is a top view thereof; and,
FIG. 7 is a bottom view thereof.
The broken lines illustrate portions of the handspray that form no part of the claimed design.

1 Claim, 7 Drawing Sheets



(56)

References Cited

U.S. PATENT DOCUMENTS

| | | | | | |
|--------------|------|---------|-----------|-------|-------------|
| D905,821 | S * | 12/2020 | Ciura | | D23/223 |
| D913,435 | S * | 3/2021 | Seum | | D23/238 |
| D914,164 | S * | 3/2021 | Seum | | D23/257 |
| D915,563 | S * | 4/2021 | Seum | | D23/257 |
| D923,153 | S * | 6/2021 | Eads | | D23/255 |
| D980,955 | S * | 3/2023 | Martinez | | D23/268 |
| 2007/0209707 | A1 * | 9/2007 | Weltman | | E03C 1/296 |
| | | | | | 137/247.25 |
| 2018/0002905 | A1 * | 1/2018 | Liu | | A47K 10/48 |
| 2019/0336988 | A1 * | 11/2019 | Daudish | | F24H 15/128 |
| 2020/0345925 | A1 * | 11/2020 | Thiessies | | B05B 9/01 |

OTHER PUBLICATIONS

Holmberg, Christina. Simplify your everyday life with the smart kitchen tap. mynewsdesk.com [online], Aug. 9, 2023, [retrieved on Jan. 22, 2024]. Retrieved from the internet, <https://www.mynewsdesk.com/se/grohe/pressreleases/foerenkla-din-vardag-med-den-smarta-koekskranen-3266669> (Year: 2023).*

* cited by examiner



FIG. 1

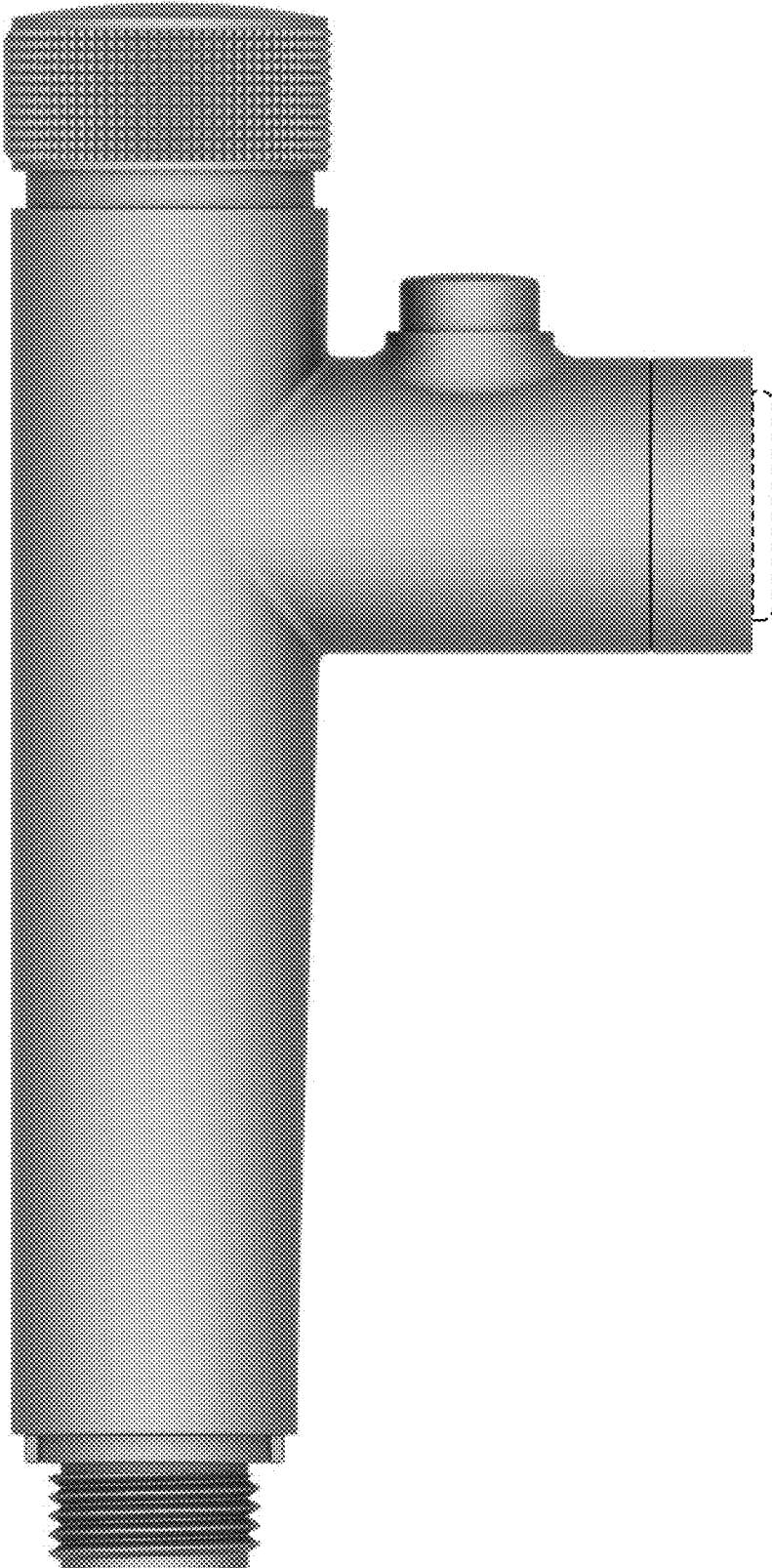


FIG. 2

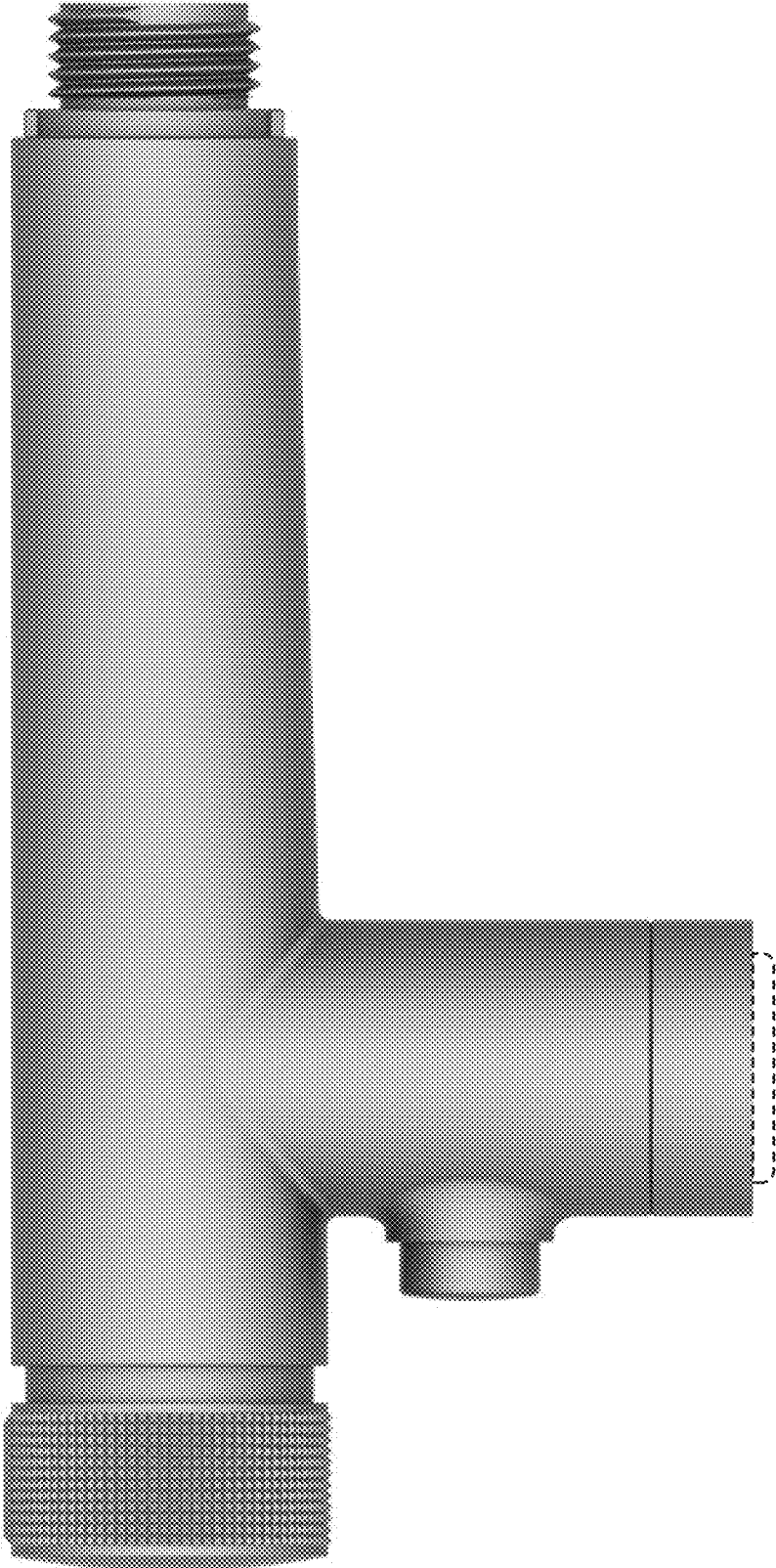


FIG. 3

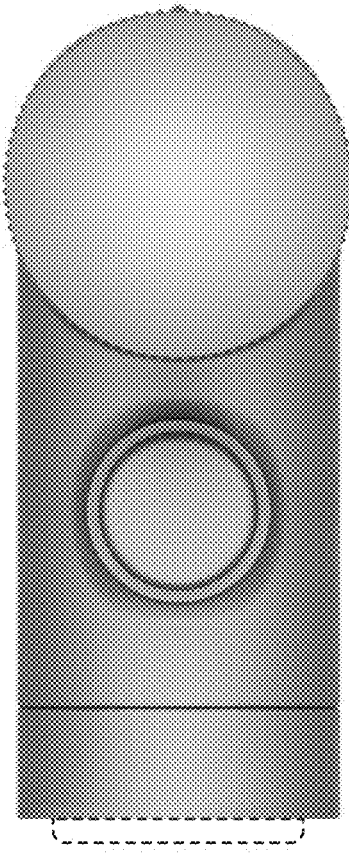


FIG. 4



FIG. 5

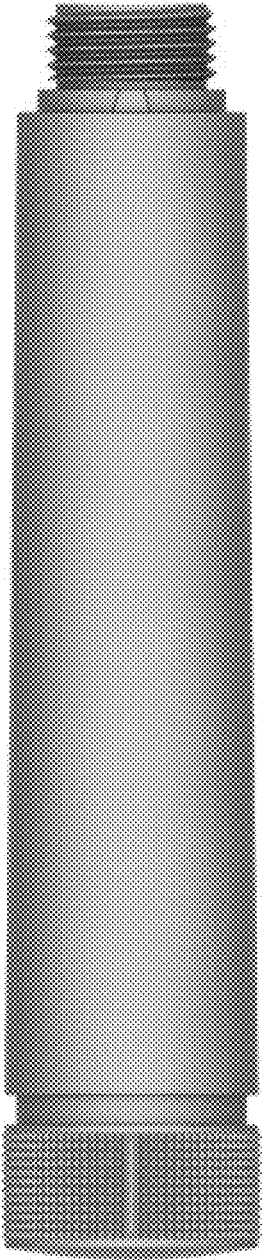


FIG. 6

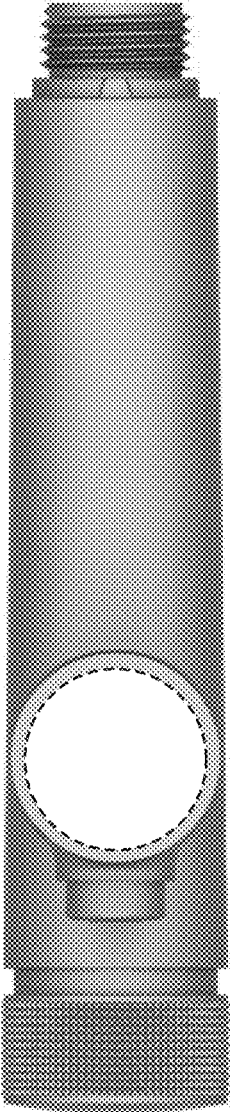


FIG. 7