



US00D427432S

# United States Patent [19]

[11] Patent Number: **Des. 427,432**

**Au et al.**

[45] Date of Patent: **\*\* Jul. 4, 2000**

[54] **CONTAINER FOR EYEGLASSES AND WATCH**

D. 155,480	10/1949	Castelli	.....	D3/265
D. 246,140	10/1977	Johnson	.....	D3/282
D. 379,263	5/1997	Sussman	.....	D3/264
D. 397,551	9/1998	Shefler	.....	D3/265
2,301,182	11/1942	Kaser	.....	206/6
2,308,112	1/1943	Schutz	.....	206/6

[75] Inventors: **Kinsen Ka Fai Au; Juan Qiang Siao**, both of Hong Kong, The Hong Kong Special Administrative Region of the People's Republic of China

*Primary Examiner*—Celia Murphy  
*Attorney, Agent, or Firm*—Raymond Y. Chan; David and Raymond

[73] Assignee: **Nationalpak Limited**, Hong Kong, The Hong Kong Special Administrative Region of the People's Republic of China

### [57] CLAIM

[\*\*] Term: **14 Years**

The ornamental design for a container for eyeglasses and watch, as shown.

[21] Appl. No.: **29/112,812**

### DESCRIPTION

[22] Filed: **Oct. 25, 1999**

FIG. 1 is a perspective view showing our new design; FIG. 2 is a front view thereof; FIG. 3 is a right end view thereof; FIG. 4 is a left end view thereof; FIG. 5 is a top view thereof; FIG. 6 is a bottom view thereof; FIG. 7 is a rear view thereof; and, FIG. 8 is another perspective view thereof in opened condition.

[51] **LOC (7) Cl.** ..... **03-01**

[52] **U.S. Cl.** ..... **D3/265; D3/263**

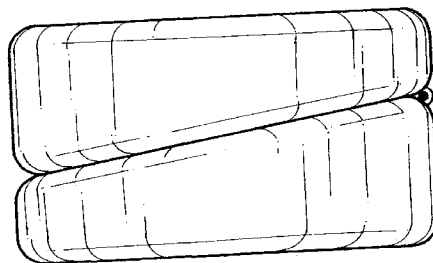
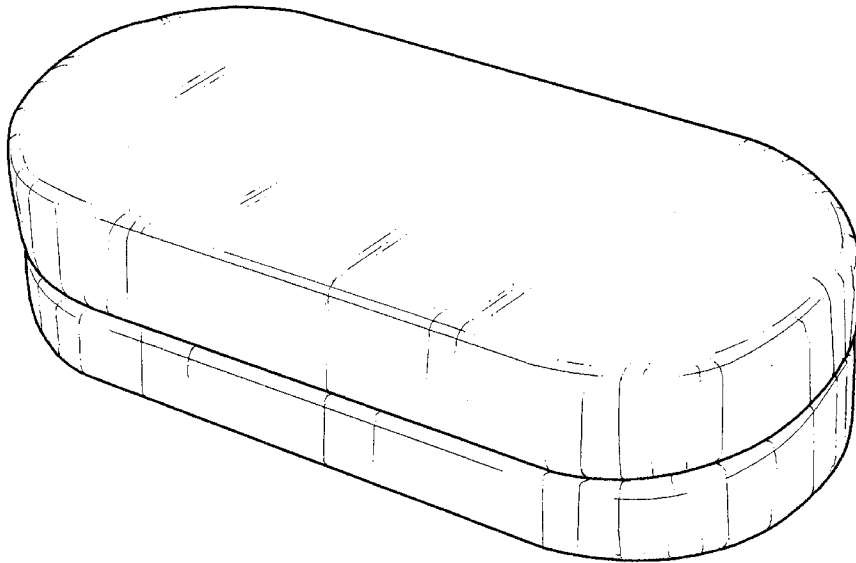
[58] **Field of Search** ..... D3/201, 243, 247, D3/263, 264, 265, 266, 268; 24/3.8; 150/36; 205/701; 206/5, 5.1, 6, 37, 440; 422/292

### [56] References Cited

#### U.S. PATENT DOCUMENTS

D. 049,217 6/1916 King ..... D3/265

**1 Claim, 8 Drawing Sheets**



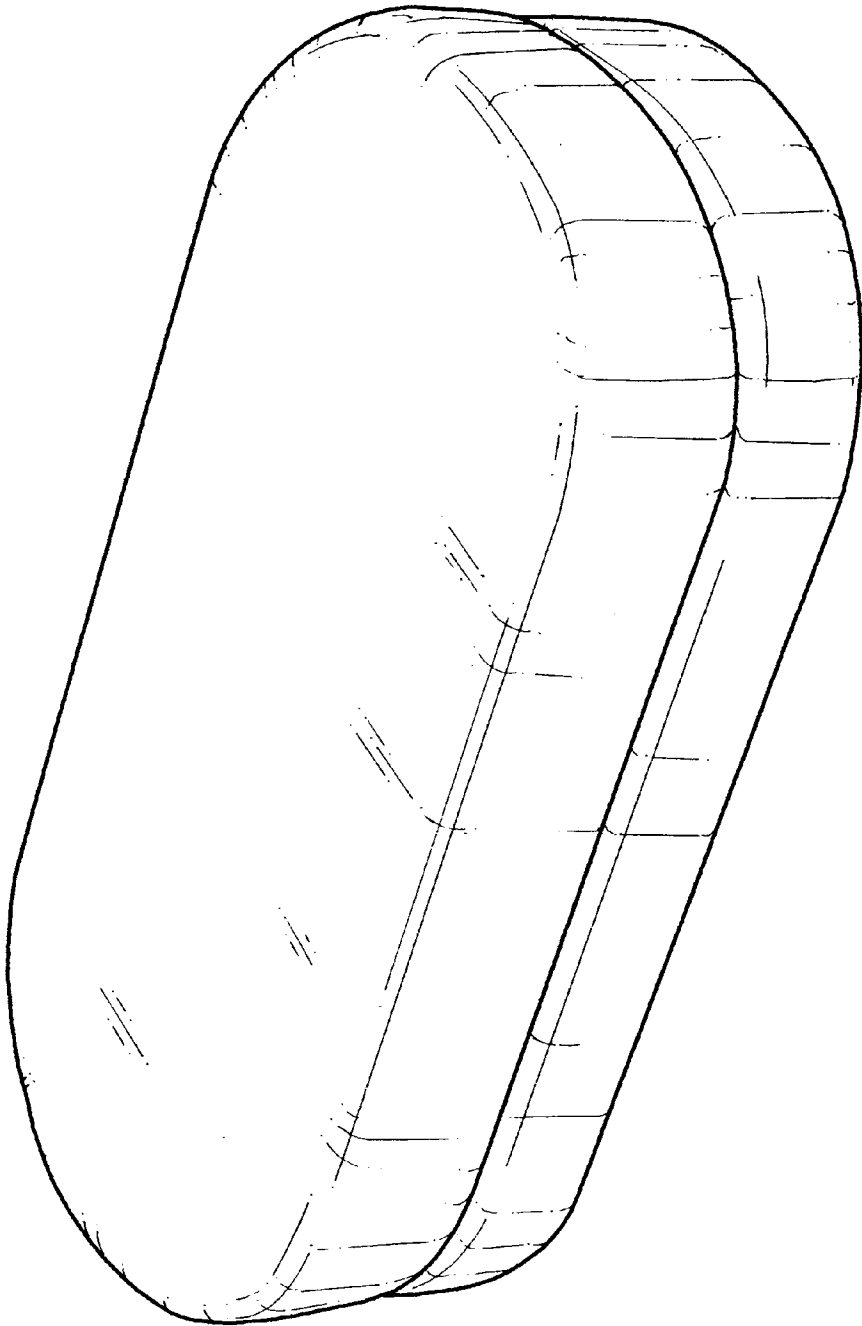


FIG. 1

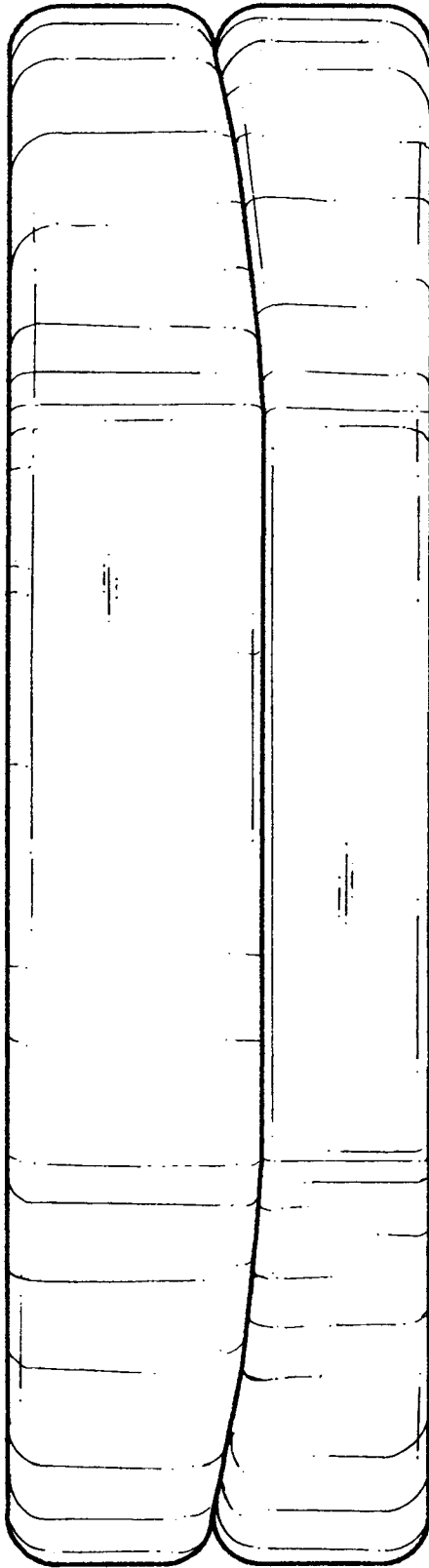


FIG 2

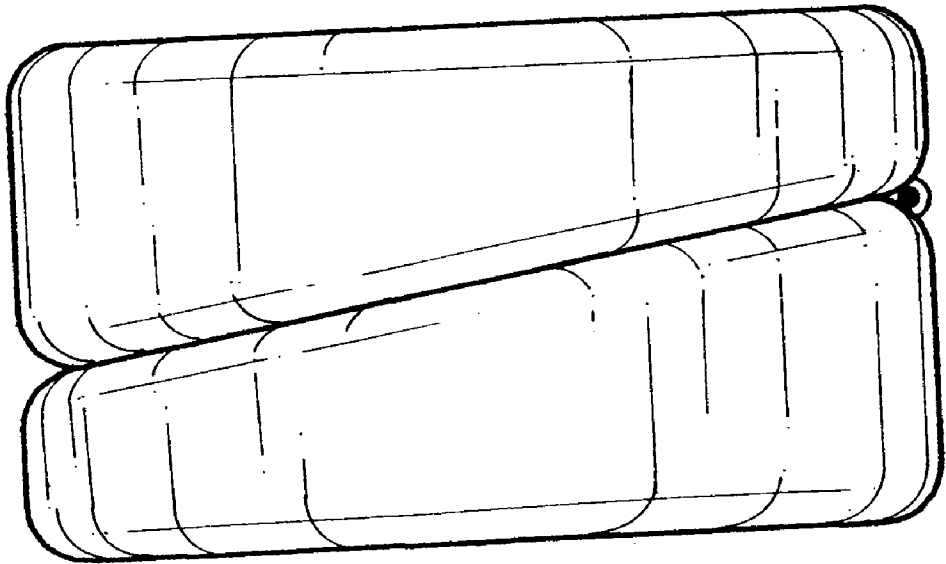


FIG 3

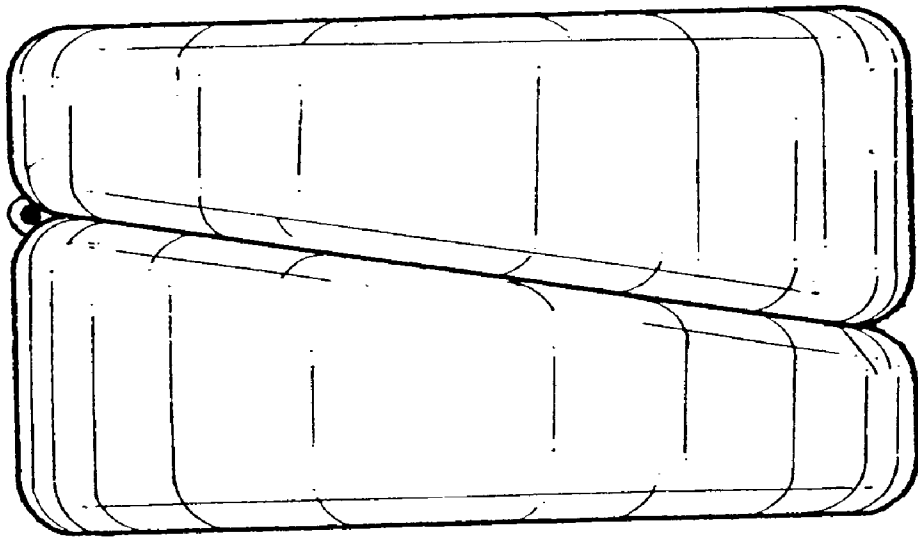


FIG 4

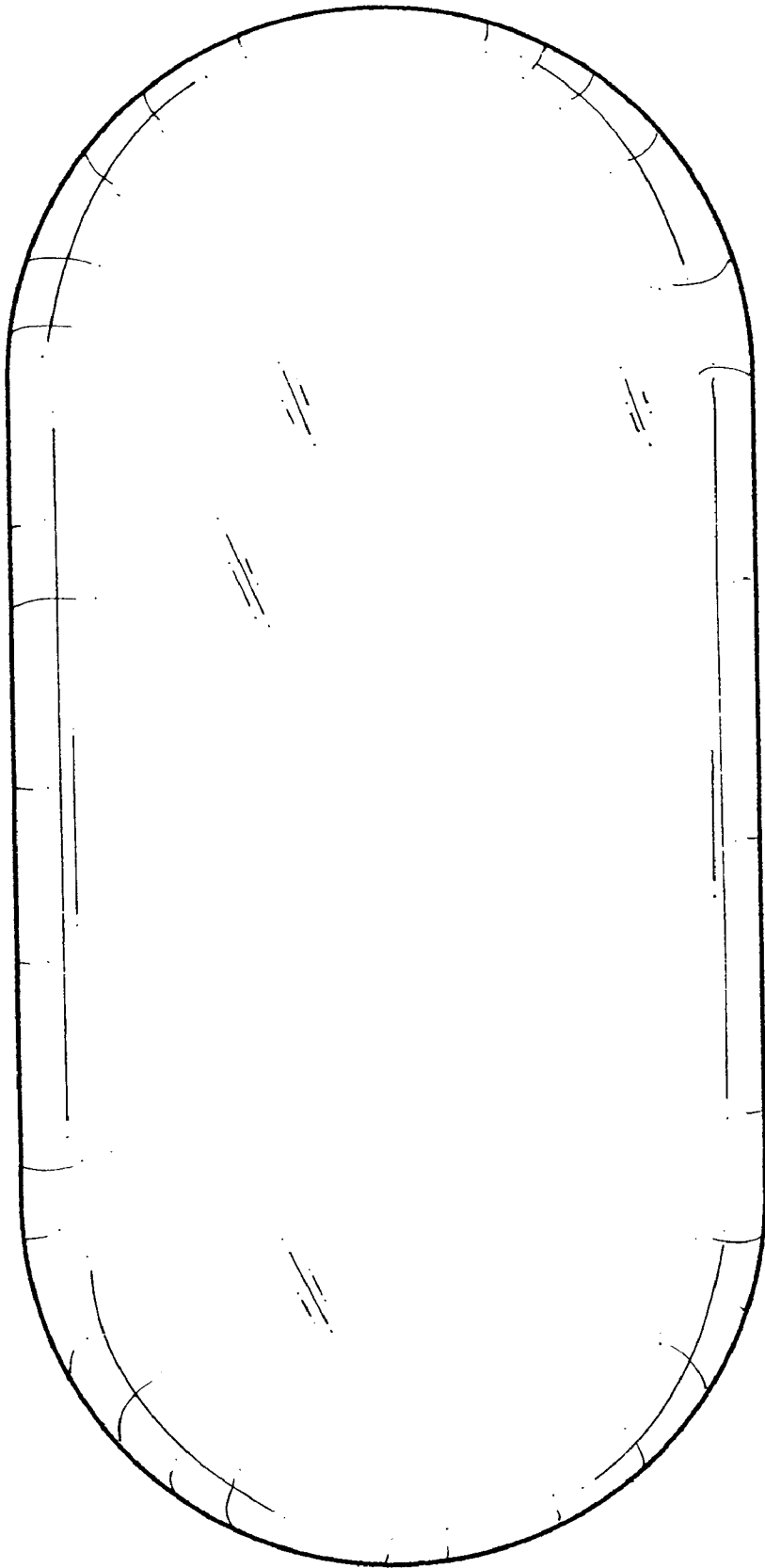


FIG 5

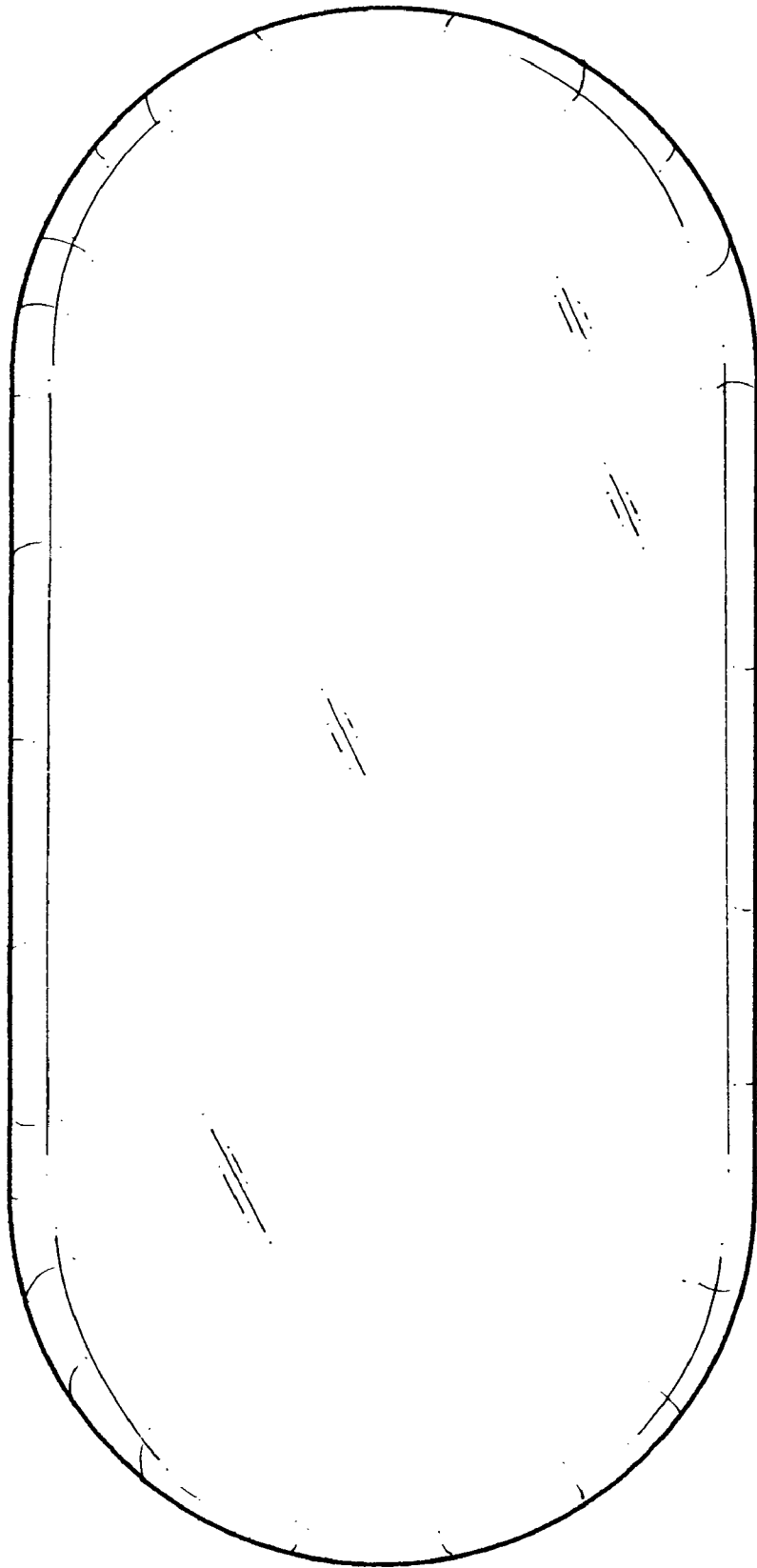


FIG 6

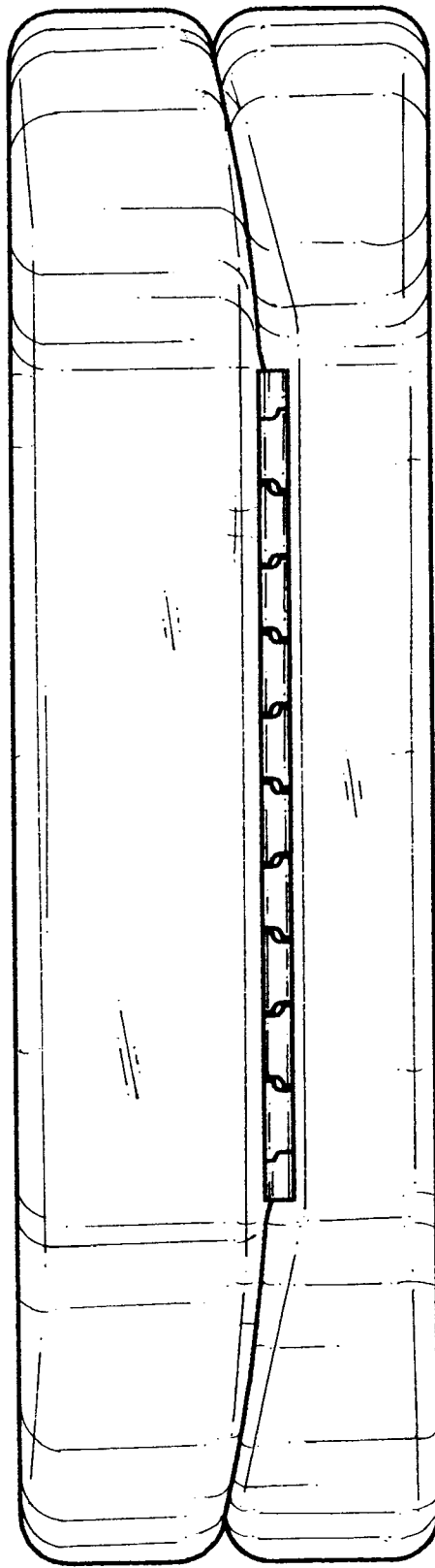


FIG 7



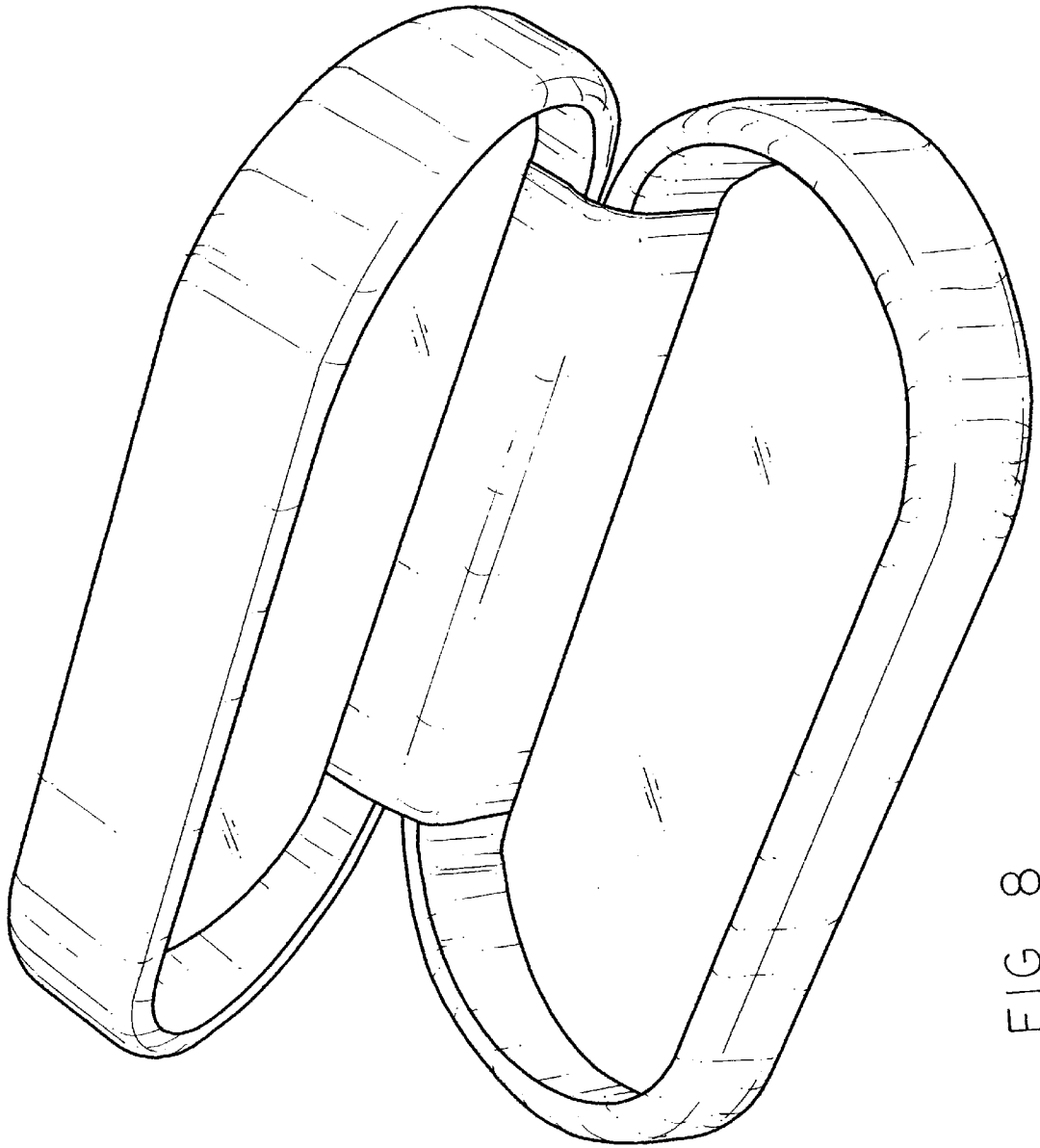


FIG 8