



US00D662108S

(12) **United States Design Patent**
Okumura et al.

(10) **Patent No.:** **US D662,108 S**

(45) **Date of Patent:** **** Jun. 19, 2012**

(54) **DISPLAY PANEL OR SCREEN WITH
COMPUTER GENERATED IMAGE**

(75) Inventors: **Mitsuo Okumura**, Tokyo (JP); **Keishi Tsuchiya**, Tokyo (JP); **Nobuki Furue**, Tokyo (JP); **Shigeya Yasui**, Tokyo (JP)

(73) Assignee: **Sony Corporation**, Tokyo (JP)

(**) Term: **14 Years**

(21) Appl. No.: **29/347,560**

(22) Filed: **Mar. 4, 2010**

(30) **Foreign Application Priority Data**

Feb. 22, 2010 (JP) D2010-004084

(51) **LOC (9) Cl.** **32-00**

(52) **U.S. Cl.** **D14/487**

(58) **Field of Classification Search** D14/485-495;
715/700-867

See application file for complete search history.

(56) **References Cited**

U.S. PATENT DOCUMENTS

D451,520 S	12/2001	Fukuda	
D453,167 S	1/2002	Hasegawa et al.	
D474,197 S *	5/2003	Nguyen	D14/486
D544,495 S *	6/2007	Evans et al.	D14/488
D549,724 S	8/2007	Niijima	
D549,725 S	8/2007	Niijima	
D550,242 S	9/2007	Niijima	
D550,243 S	9/2007	Niijima	
D550,244 S	9/2007	Niijima	
D550,245 S	9/2007	Niijima	

(Continued)

FOREIGN PATENT DOCUMENTS

JP 2000-010548 A 1/2000

(Continued)

OTHER PUBLICATIONS

Office Action in Japanese Patent Application No. 2010-004084 dated Mar. 18, 2011.

(Continued)

Primary Examiner — Deanna L Fluegeman

(74) *Attorney, Agent, or Firm* — Rader, Fishman & Grauer PLLC

(57) **CLAIM**

The ornamental design for a display panel or screen with computer generated image, as shown and described.

DESCRIPTION

FIG. 1 is a front elevational view of a first image of a display panel or screen with computer generated image showing our new design, wherein the pointer is at a first position;

FIG. 2 is a front elevational view of a second image of a display panel or screen with computer generated image, wherein the pointer is at a second position;

FIG. 3 is a front elevational view of a third image of a display panel or screen with computer generated image showing our new design, wherein the pointer is at a third position; and,

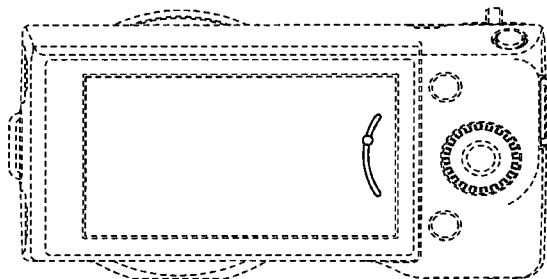
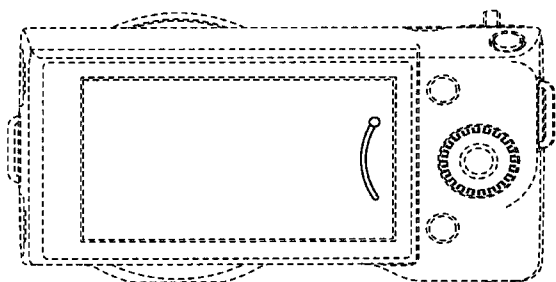
FIG. 4 is a front elevational view of a fourth image of a display panel or screen with computer generated image, wherein the pointer is at a fourth position.

The claimed design is an integral and active component in the operation of a computer-programmed device displaying the design.

The appearance of the transitional image sequentially transitions between or among the images shown in FIGS. 1-4. The process or period in which one image transitions to another image forms no part of the claimed design.

The broken line showing of a display panel or screen and the elements thereof illustrate the unclaimed environment of the claimed design and form no part thereof.

1 Claim, 4 Drawing Sheets



U.S. PATENT DOCUMENTS

D553,148	S	10/2007	Niijima	
D566,128	S *	4/2008	Kwon et al.	D14/487
D566,720	S *	4/2008	Kwon et al.	D14/486
D582,940	S *	12/2008	Carpenter et al.	D14/493
D587,723	S *	3/2009	Lee	D14/486
D588,148	S *	3/2009	Stone et al.	D14/485
D591,305	S *	4/2009	Shimoda	D14/485
D593,107	S *	5/2009	Shimoda et al.	D14/485
D593,573	S *	6/2009	Kim et al.	D14/486
D609,714	S *	2/2010	Oda et al.	D14/485
7,701,500	B2 *	4/2010	Aizawa et al.	348/333.01
D625,321	S *	10/2010	Choi et al.	D14/486
D626,135	S *	10/2010	Choi et al.	D14/486
D626,143	S *	10/2010	Karten et al.	D14/491
D629,410	S *	12/2010	Ray et al.	D14/485
2003/0048309	A1 *	3/2003	Tambata et al.	345/810
2003/0153992	A1 *	8/2003	Maruyama et al.	700/83
2003/0197740	A1 *	10/2003	Reponen	345/810
2005/0081164	A1 *	4/2005	Hama et al.	715/830
2006/0053389	A1 *	3/2006	Michelman	715/775
2008/0022228	A1 *	1/2008	Kwon et al.	715/838
2008/0215240	A1 *	9/2008	Howard et al.	701/213
2008/0287169	A1 *	11/2008	Kim et al.	455/575.4

FOREIGN PATENT DOCUMENTS

JP	2005-302019	A	10/2005
JP	2006-191300	A	7/2006
JP	2006-311067	A	11/2006
JP	2007-041540	A	2/2007
JP	2008-147853	A	6/2008
KR	30-0552709	S	2/2010

OTHER PUBLICATIONS

Patent Office Prior Art No. HJ19011522, User's manual of a digital camera down loaded, Office Action (Document CA above), p. 4 of 9, Ricoh Japan, http://www.ricoh.co.jp/dc/support/manual_pdf/400g/Caplio400G_Jp.pdf, Japan Patent Office (May 2007).

Patent Office Prior Art No. HJ19011450, User's manual of a digital camera down loaded, Office Action (Document CA above), p. 5 of 9, Ricoh Japan, http://www.ricoh.co.jp/dc/support/manual_pdf/g4/CaplioG4Manual_Jp.pdf (May 2007).

Patent Office Prior Art No. HJ18034465, Sylphy Audio & Navigation, Office Action (Document CA above), p. 6 of 9, Nissan Co., Ltd., <http://www2.nissan.co.jp/SYLPHY/G11/EQUIP/main4/html> (Apr. 2007).

Patent Office Prior Art No. HJ20051450, web catalog, "Cube," Office Action (Document CA above), p. 7 of 9, Nissan Co., Ltd., <http://www2.nissan.co.jp/CUBE/Z12/0811/index.html> (Jan. 2009).

* cited by examiner

Fig. 1

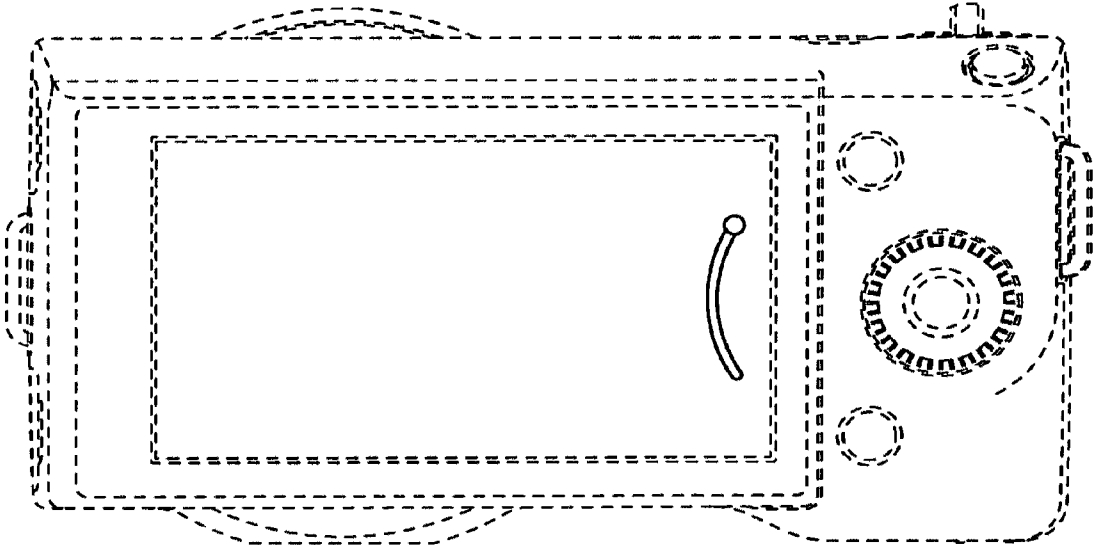


Fig. 2

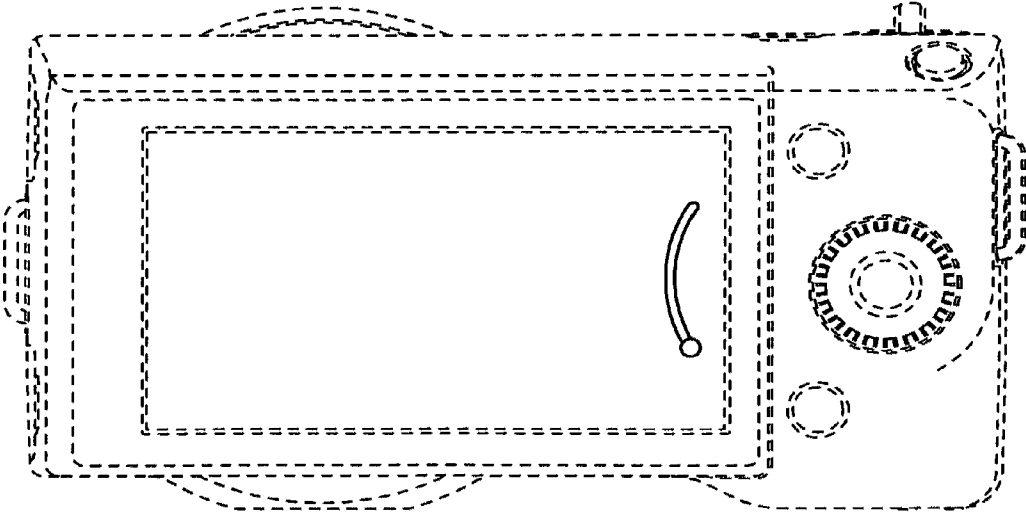


Fig. 3

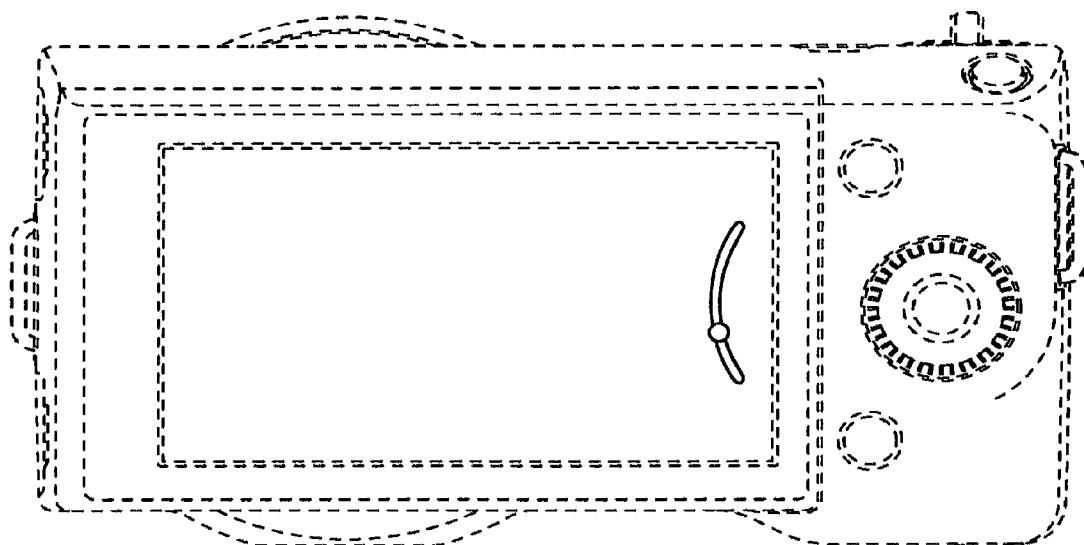


Fig. 4

