

(19) World Intellectual Property Organization  
International Bureau



(43) International Publication Date  
22 May 2009 (22.05.2009)

PCT

(10) International Publication Number  
WO 2009/063340 A3

- (51) International Patent Classification:  
A61B 10/00 (2006.01) A61B 5/15 (2006.01)
- (21) International Application Number:  
PCT/IB2008/053706
- (22) International Filing Date:  
12 September 2008 (12.09.2008)
- (25) Filing Language: English
- (26) Publication Language: English
- (30) Priority Data:  
11/939,082 13 November 2007 (13.11.2007) US
- (71) Applicant (for all designated States except US): **KIMBERLY-CLARK WORLDWIDE, INC.** [US/US]; 401 North Lake Street, Neenah, Wisconsin 54956 (US).
- (72) Inventors; and
- (75) Inventors/Applicants (for US only): **MACDONALD, John, Gavin** [US/US]; 1472 Knollwood Terrace, Decatur, Georgia 30033 (US). **YANG, Kaiyuan** [US/US]; 6155 Ivey Hill Drive, Cumming, Georgia 30040 (US). **KIM, Jaeho** [US/US]; 480 Elgaen Court, Roswell, Georgia 30075 (US). **KIM, JungMo** [KR/KR]; Humansia Apt. 504-303, HanBora Maeul, Bora-dong, GiHeung-gu, Yon-gin-si, Gyeonggi-do (KR).
- (74) Agent: **JOHNSTON, Jason, W.**; Dority & Manning, P.a. P O Box 1449, Greenville, South Carolina 29602-1449, (US).
- (81) Designated States (unless otherwise indicated, for every kind of national protection available): AE, AG, AL, AM, AO, AT, AU, AZ, BA, BB, BG, BH, BR, BW, BY, BZ, CA, CH, CN, CO, CR, CU, CZ, DE, DK, DM, DO, DZ, EC, EE, EG, ES, FI, GB, GD, GE, GH, GM, GT, HN, HR, HU, ID, IL, IN, IS, JP, KE, KG, KM, KN, KP, KR, KZ, LA, LC, LK, LR, LS, LT, LU, LY, MA, MD, ME, MG, MK, MN, MW, MX, MY, MZ, NA, NG, NI, NO, NZ, OM, PG, PH, PL, PT, RO, RS, RU, SC, SD, SE, SG, SK, SL, SM, ST, SV, SY, TJ, TM, TN, TR, TT, TZ, UA, UG, US, UZ, VC, VN, ZA, ZM, ZW.
- (84) Designated States (unless otherwise indicated, for every kind of regional protection available): ARIPO (BW, GH, GM, KE, LS, MW, MZ, NA, SD, SL, SZ, TZ, UG, ZM, ZW), Eurasian (AM, AZ, BY, KG, KZ, MD, RU, TJ, TM), European (AT, BE, BG, CH, CY, CZ, DE, DK, EE, ES, FI, FR, GB, GR, HR, HU, IE, IS, IT, LT, LU, LV, MC, MT, NL, NO, PL, PT, RO, SE, SI, SK, TR), OAPI (BF, BJ, CF, CG, CI, CM, GA, GN, GQ, GW, ML, MR, NE, SN, TD, TG).

[Continued on next page]

(54) Title: VEIN IDENTIFICATION TECHNIQUE

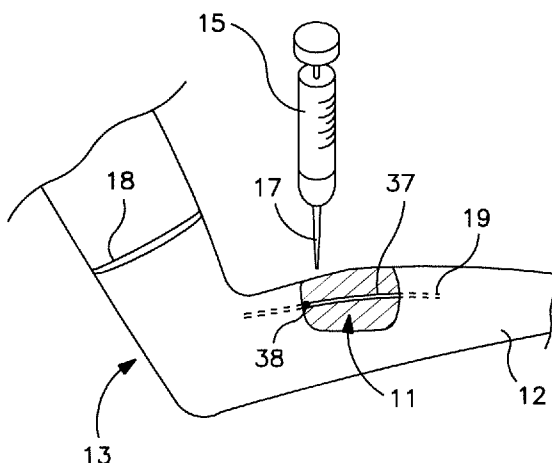


FIG. 1

(57) Abstract: A technique for identifying a vein in a patient is disclosed. The technique involves the application of a thermochromic ink to a venous area on the skin of a patient (e.g., human or animal). The thermochromic ink comprises thermosensitive color-changing microcapsules that contain a proton-accepting chromogen and a desensitizer. The desensitizer possesses a melting point above which the chromogen is capable of becoming protonated, thereby resulting in a color change. Thereafter, the venous area is observed for the color change.

WO 2009/063340 A3



**Published:**

- *with international search report*
- *before the expiration of the time limit for amending the claims and to be republished in the event of receipt of amendments*

**(88) Date of publication of the international search report:**  
9 July 2009

## INTERNATIONAL SEARCH REPORT

International application No.  
**PCT/IB2008/053706****A. CLASSIFICATION OF SUBJECT MATTER***A61B 10/00(2006.01)i, A61B 5/15(2006.01)i*

According to International Patent Classification (IPC) or to both national classification and IPC

**B. FIELDS SEARCHED**

Minimum documentation searched (classification system followed by classification symbols)

IPC : A61B 10/00, A61B 5/00, A61B 5/15

Documentation searched other than minimum documentation to the extent that such documents are included in the fields searched

- Korean Utility models and applications for Utility models since 1975
- Japanese Utility models and applications for Utility models since 1975

Electronic data base consulted during the international search (name of data base and, where practicable, search terms used)

eKIPASS(KIPO internal) &amp; keywords : 'vein', 'thermo', and 'color change'

**C. DOCUMENTS CONSIDERED TO BE RELEVANT**

Category*	Citation of document, with indication, where appropriate, of the relevant passages	Relevant to claim No.
A	US 4971068 A (SAHI, CARL R.) 20 Nov. 1990 The whole documents.	1 - 16, 18 - 24
A	US 2007-260229 A1 (NAVARRO LUIS et al.) 08 Nov. 2007 The whole documents.	1 - 16, 18 - 24
A	US 5281570 A (HASEGAWA, KIYOHARU et al.) 25 Jan. 1994 The whole documents.	1 - 16, 18 - 24

 Further documents are listed in the continuation of Box C. See patent family annex.

\* Special categories of cited documents:

"A" document defining the general state of the art which is not considered to be of particular relevance

"E" earlier application or patent but published on or after the international filing date

"L" document which may throw doubts on priority claim(s) or which is cited to establish the publication date of citation or other special reason (as specified)

"O" document referring to an oral disclosure, use, exhibition or other means

"P" document published prior to the international filing date but later than the priority date claimed

"T" later document published after the international filing date or priority date and not in conflict with the application but cited to understand the principle or theory underlying the invention

"X" document of particular relevance; the claimed invention cannot be considered novel or cannot be considered to involve an inventive step when the document is taken alone

"Y" document of particular relevance; the claimed invention cannot be considered to involve an inventive step when the document is combined with one or more other such documents, such combination being obvious to a person skilled in the art

"&amp;" document member of the same patent family

Date of the actual completion of the international search

25 MAY 2009 (25.05.2009)

Date of mailing of the international search report

**25 MAY 2009 (25.05.2009)**

Name and mailing address of the ISA/KR

Korean Intellectual Property Office  
Government Complex-Daejeon, 139 Seonsa-ro, Seo-  
gu, Daejeon 302-701, Republic of Korea

Facsimile No. 82-42-472-7140

Authorized officer

YANG, Seong Ji

Telephone No. 82-42-481-5624



INTERNATIONAL SEARCH REPORT

International application No.

PCT/IB2008/053706

Box No. II Observations where certain claims were found unsearchable (Continuation of item 2 of first sheet)

This international search report has not been established in respect of certain claims under Article 17(2)(a) for the following reasons:

- 1.  Claims Nos.:  
because they relate to subject matter not required to be searched by this Authority, namely:
  
- 2.  Claims Nos.: 17  
because they relate to parts of the international application that do not comply with the prescribed requirements to such an extent that no meaningful international search can be carried out, specifically:  
Claim 17 does not exist.
  
- 3.  Claims Nos.:  
because they are dependent claims and are not drafted in accordance with the second and third sentences of Rule 6.4(a).

Box No. III Observations where unity of invention is lacking (Continuation of item 3 of first sheet)

This International Searching Authority found multiple inventions in this international application, as follows:

- 1.  As all required additional search fees were timely paid by the applicant, this international search report covers all searchable claims.
- 2.  As all searchable claims could be searched without effort justifying an additional fee, this Authority did not invite payment of any additional fee.
- 3.  As only some of the required additional search fees were timely paid by the applicant, this international search report covers only those claims for which fees were paid, specifically claims Nos.:
  
- 4.  No required additional search fees were timely paid by the applicant. Consequently, this international search report is restricted to the invention first mentioned in the claims; it is covered by claims Nos.:

Remark on Protest

- The additional search fees were accompanied by the applicant's protest and, where applicable, the payment of a protest fee.
- The additional search fees were accompanied by the applicant's protest but the applicable protest fee was not paid within the time limit specified in the invitation.
- No protest accompanied the payment of additional search fees.

**INTERNATIONAL SEARCH REPORT**

Information on patent family members

International application No.

**PCT/IB2008/053706**

Patent document cited in search report	Publication date	Patent family member(s)	Publication date
US 4971068 A	20.11.1990	None	
US 2007-260229 A1	08.11.2007	WO 2007131199 A2	15.11.2007
US 5281570 A	25.01.1994	DE 4223976 A1	28.01.1993
		DE 4223976 C2	30.04.1997
		GB 2257969 A	27.01.1993
		GB 2257969 B	08.03.1995
		GB 9215370 D0	02.09.1992
		JP 05-187930 A	27.07.1993
		KR 10-1993-0002478 A	23.02.1993
		KR 9605594 B1	26.04.1996