



US00D809477S

(12) **United States Design Patent**  
**Brunner et al.**

(10) **Patent No.:** **US D809,477 S**  
(45) **Date of Patent:** **\*\* Feb. 6, 2018**

(54) **HEADSET**

(71) Applicant: **Apple Inc.**, Cupertino, CA (US)

(72) Inventors: **Robert Brunner**, San Francisco, CA (US); **Christopher Kuh**, San Francisco, CA (US)

(73) Assignee: **Apple Inc.**, Cupertino, CA (US)

(\*\*) Term: **15 Years**

(21) Appl. No.: **29/568,227**

(22) Filed: **Jun. 16, 2016**

**Related U.S. Application Data**

(60) Continuation of application No. 29/527,761, filed on May 21, 2015, now Pat. No. Des. 760,688, which is a continuation of application No. 29/490,833, filed on May 14, 2014, now Pat. No. Des. 732,503, which is a continuation of application No. 29/471,109, filed on Oct. 28, 2013, now Pat. No. Des. 709,860, which is a division of application No. 29/410,584, filed on Jan. 9, 2012, now Pat. No. Des. 692,410.

(51) **LOC (11) Cl.** ..... **14-01**

(52) **U.S. Cl.**  
USPC ..... **D14/205**

(58) **Field of Classification Search**  
USPC ..... D14/205, 223, 188, 192, 372; D29/112; 2/209; 181/129, 130, 135; 379/430, 431; 381/380, 381; 455/90.3, 575.1, 569.1  
CPC .... H04R 1/1066; H04R 1/1016; H04R 5/033; H04R 5/0335; H04R 1/10  
See application file for complete search history.

(56) **References Cited**

**U.S. PATENT DOCUMENTS**

1,066,511 A 7/1913 Markoff  
1,367,746 A \* 2/1921 Kent ..... H04R 1/1008  
181/129

2,149,341 A 3/1939 Harrison  
3,104,398 A 9/1963 Tore  
D203,677 S 2/1966 Spillman  
D229,833 S \* 1/1974 Becker ..... D14/205  
D244,300 S 5/1977 Besasie  
4,173,715 A 11/1979 Gosman  
D254,183 S 2/1980 Doodson  
D254,876 S 5/1980 Reitenga et al.  
D255,352 S \* 6/1980 Besasie ..... D14/205

(Continued)

**FOREIGN PATENT DOCUMENTS**

JP D1318386 5/1986  
JP D1406347 10/1987

(Continued)

**OTHER PUBLICATIONS**

U.S. Appl. No. 29/504,827, filed Oct. 9, 2014; Brunner et al.  
(Continued)

*Primary Examiner* — Paula Allen Greene  
(74) *Attorney, Agent, or Firm* — Sterne, Kessler, Goldstein & Fox P.L.L.C.

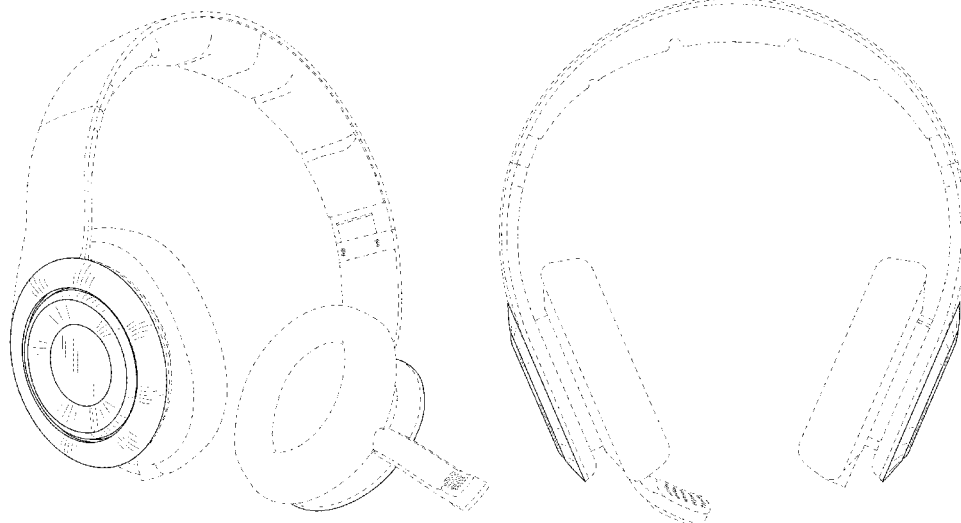
(57) **CLAIM**

The ornamental design for a headset, as shown and described.

**DESCRIPTION**

FIG. 1 is a front perspective view of a headset showing the claimed design;  
FIG. 2 is a rear view thereof;  
FIG. 3 is a bottom view thereof;  
FIG. 4 is a front view thereof;  
FIG. 5 is a right side view thereof; and,  
FIG. 6 is a left side view thereof.  
The broken lines in the figures show portions of the headset that form no part of the claimed design.

**1 Claim, 6 Drawing Sheets**



(56)

## References Cited

## U.S. PATENT DOCUMENTS

- 4,385,209 A \* 5/1983 Greason ..... H04M 1/03  
307/400
- 4,404,445 A \* 9/1983 Baran ..... H01H 3/022  
200/314
- 4,609,786 A 9/1986 Omoto et al.
- D286,874 S \* 11/1986 Bertagna ..... D14/205
- 4,634,816 A 1/1987 O'Malley et al.
- 4,875,233 A 10/1989 Derhaag et al.
- D313,092 S 12/1990 Nilsson
- 5,018,599 A 5/1991 Dohi et al.
- 5,035,005 A 7/1991 Hung
- D328,074 S 7/1992 Yamazaki et al.
- D328,461 S 8/1992 Daido et al.
- D338,010 S 8/1993 Yamatogi
- D351,172 S 10/1994 Nakamura et al.
- D358,389 S 5/1995 Isono
- D374,658 S \* 10/1996 Bever ..... D13/171
- D375,825 S 11/1996 Whidden
- D392,629 S 3/1998 Amafuji et al.
- D394,649 S 5/1998 Pombo
- 5,812,680 A \* 9/1998 Glendon ..... H04R 25/60  
381/322
- D403,128 S 12/1998 Scanlon et al.
- D420,356 S 2/2000 Suzuki
- D422,592 S 4/2000 Deguchi
- 6,081,604 A 6/2000 Hikichi et al.
- D430,140 S 8/2000 Roman
- D435,249 S 12/2000 Yasutomi
- 6,163,615 A 12/2000 Callahan
- 6,195,839 B1 3/2001 Patterson et al.
- D457,512 S 5/2002 Yoneda
- 6,449,806 B1 9/2002 Engelhard et al.
- D468,723 S 1/2003 Pham et al.
- D484,485 S 12/2003 Matsuoka
- 6,654,966 B2 12/2003 Rolla
- D484,868 S 1/2004 Suzuki
- 6,678,897 B2 1/2004 Lindgren
- D491,163 S 6/2004 Green
- D502,938 S 3/2005 Tokioka et al.
- D504,883 S 5/2005 Jacobson et al.
- D512,381 S 12/2005 Sirichai et al.
- D512,417 S \* 12/2005 Hiramawa ..... D14/223
- D512,708 S 12/2005 Harris, Jr. et al.
- D512,981 S 12/2005 Jacobson et al.
- D517,043 S 3/2006 Jacobson et al.
- 7,072,483 B2 7/2006 Lenhard-Backhaus
- D532,407 S 11/2006 Motoishi
- D534,155 S 12/2006 Obata
- D534,156 S 12/2006 Obata
- D539,788 S 4/2007 Thompson et al.
- D540,301 S 4/2007 Obata
- D540,303 S 4/2007 Rausch et al.
- D541,255 S 4/2007 Taylor et al.
- D541,256 S 4/2007 Rausch et al.
- D541,257 S 4/2007 Thursfield
- D552,077 S 10/2007 Brunner et al.
- D557,684 S 12/2007 Pundsack et al.
- D560,654 S 1/2008 Feng
- D563,382 S 3/2008 Wikel et al.
- D563,995 S 3/2008 Deguchi et al.
- 7,356,362 B2 \* 4/2008 Chang ..... H04R 1/1033  
379/430
- D582,890 S 12/2008 Koza et al.
- D584,715 S 1/2009 Brennwald
- D585,870 S 2/2009 Meng et al.
- D585,871 S 2/2009 Lee
- D585,872 S 2/2009 Lee
- D588,098 S 3/2009 Kurihara
- D588,100 S 3/2009 Densho et al.
- D591,263 S 4/2009 Shimizu
- D592,182 S 5/2009 Sanguinetti
- D592,640 S 5/2009 Tkachuk
- D593,995 S 6/2009 Shimizu
- D600,674 S 9/2009 Brennwald
- D603,370 S 11/2009 Suzuki
- D603,371 S 11/2009 Boateng et al.
- D616,865 S 6/2010 Marchand et al.
- D617,769 S 6/2010 Birger
- 7,735,154 B2 6/2010 Gellis et al.
- D625,705 S 10/2010 Ohori et al.
- D632,668 S 2/2011 Brunner et al.
- D633,896 S 3/2011 Kondo et al.
- D635,959 S 4/2011 Hutchieson
- D637,176 S 5/2011 Brunner et al.
- D637,998 S 5/2011 Brunner et al.
- D637,999 S 5/2011 Brunner et al.
- D638,000 S 5/2011 Hoggarth
- D639,776 S 6/2011 Arimoto
- D641,725 S 7/2011 Chong et al.
- D648,330 S 11/2011 Fischer
- D652,017 S 1/2012 Groves et al.
- D652,405 S 1/2012 Lee et al.
- D652,406 S 1/2012 Lee et al.
- D654,471 S 2/2012 Fischer
- D654,472 S 2/2012 Fischer
- D657,344 S 4/2012 Brunner et al.
- D657,345 S 4/2012 Brunner et al.
- D657,776 S 4/2012 Lee et al.
- D660,823 S 5/2012 Hardi et al.
- D660,824 S 5/2012 Hardi et al.
- D660,826 S 5/2012 Brunner et al.
- D662,490 S 6/2012 McSweyn
- D663,716 S 7/2012 Hardi et al.
- D673,136 S 12/2012 Kelly et al.
- D673,518 S 1/2013 Tan
- D673,520 S 1/2013 Tan
- D674,767 S 1/2013 Brunner et al.
- D675,595 S 2/2013 Cho et al.
- D677,647 S \* 3/2013 Lee ..... D14/205
- D683,329 S 5/2013 Hagelin
- D691,112 S 10/2013 Brunner et al.
- D691,579 S \* 10/2013 Lee ..... D14/205
- D691,984 S 10/2013 Wang
- D692,410 S \* 10/2013 Brunner ..... H04S 1/005  
D14/206
- D693,791 S 11/2013 Troy
- D698,749 S 2/2014 Brunner et al.
- D709,860 S \* 7/2014 Brunner ..... H04S 1/005  
D14/205
- D711,348 S 8/2014 Yang
- D716,760 S \* 11/2014 Brunner ..... D14/206
- D732,503 S \* 6/2015 Brunner ..... H04S 1/005  
D14/205
- D760,688 S \* 7/2016 Brunner ..... H04S 1/005  
D14/206
- D764,435 S \* 8/2016 Brunner ..... D14/205
- 2003/0182713 A1 10/2003 Rolla
- 2004/0216946 A1 11/2004 Lenhard-Backhaus
- 2005/0053255 A1 3/2005 Harris et al.
- 2005/0226452 A1 10/2005 Amae et al.
- 2006/0001307 A1 1/2006 Embach
- 2006/0062417 A1 3/2006 Tachikawa et al.
- 2006/0104471 A1 5/2006 Tsunoda et al.
- 2008/0056525 A1 3/2008 Fujiwara et al.
- 2009/0220118 A1 9/2009 Meier et al.
- 2010/0128884 A1 5/2010 Sapiejewski et al.
- 2010/0284558 A1 11/2010 Kimura et al.
- 2011/0206216 A1 8/2011 Brunner et al.
- 2011/0249856 A1 \* 10/2011 Takei ..... H04R 1/1016  
381/380
- 2014/0211976 A1 7/2014 Brunner et al.

## FOREIGN PATENT DOCUMENTS

- JP D1430542 3/1988
- KR 30-0476152 1/2008
- WO WO 2007103561 A2 9/2007
- WO WO 2012094176 A2 7/2012

## OTHER PUBLICATIONS

Search Report and Written Opinion for PCT Application No.  
PCT/US11/67045 dated Sep. 27, 2012.

(56)

**References Cited**

OTHER PUBLICATIONS

Office Action dated Mar. 31, 2011 for Taiwan patent Application No. 099303306.

Taiwan Office Action for Taiwan Application No. 101303990 dated Aug. 26, 2013.

Taiwan Office Action for Taiwan Application No. 101301117 dated Aug. 26, 2013.

Taiwan Office Action for Taiwan Application No. 102302000 dated Aug. 26, 2013.

Office Action dated Dec. 10, 2010 for Russian Report Application No. 2010501890.

Search Report dated Mar. 31, 2011 for Taiwan Patent Application No. 099303306.

\* cited by examiner

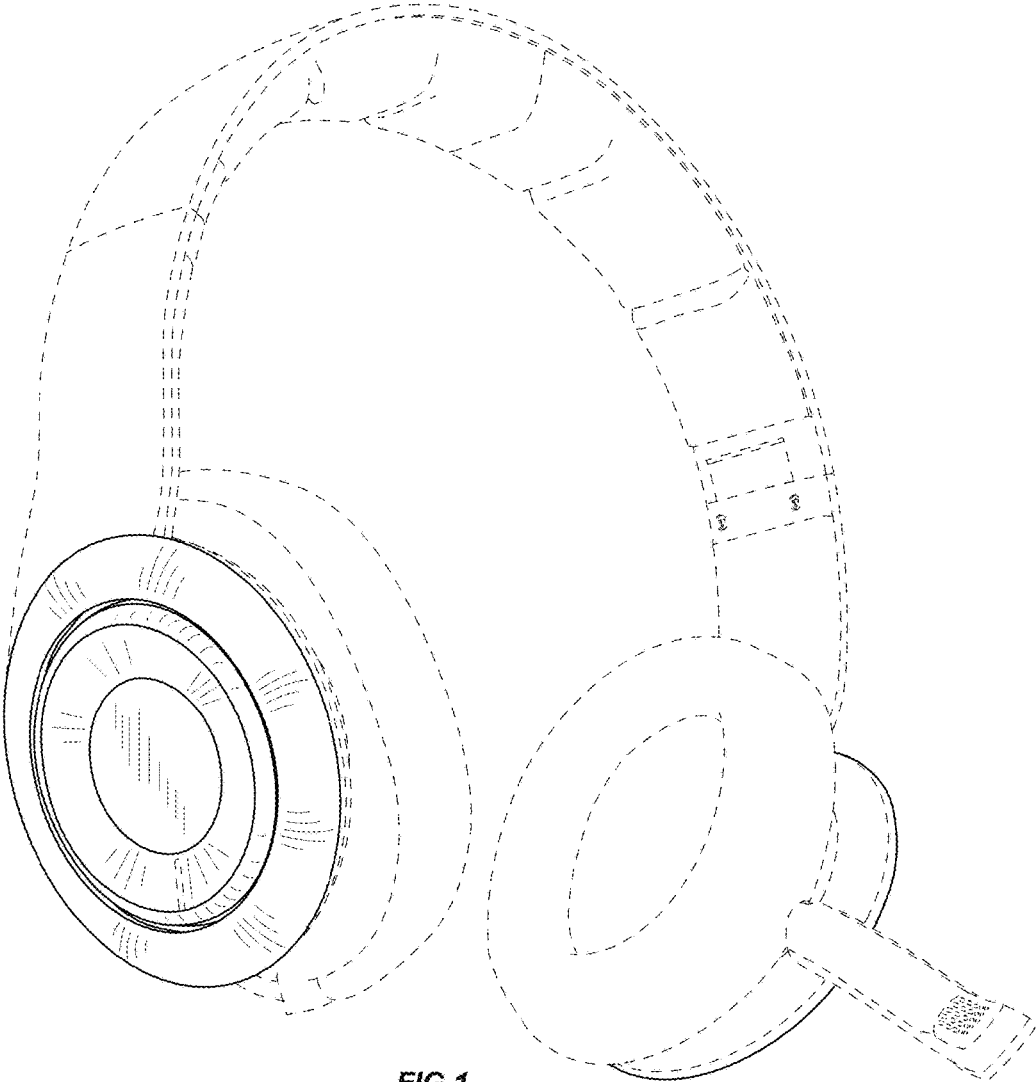


FIG. 1

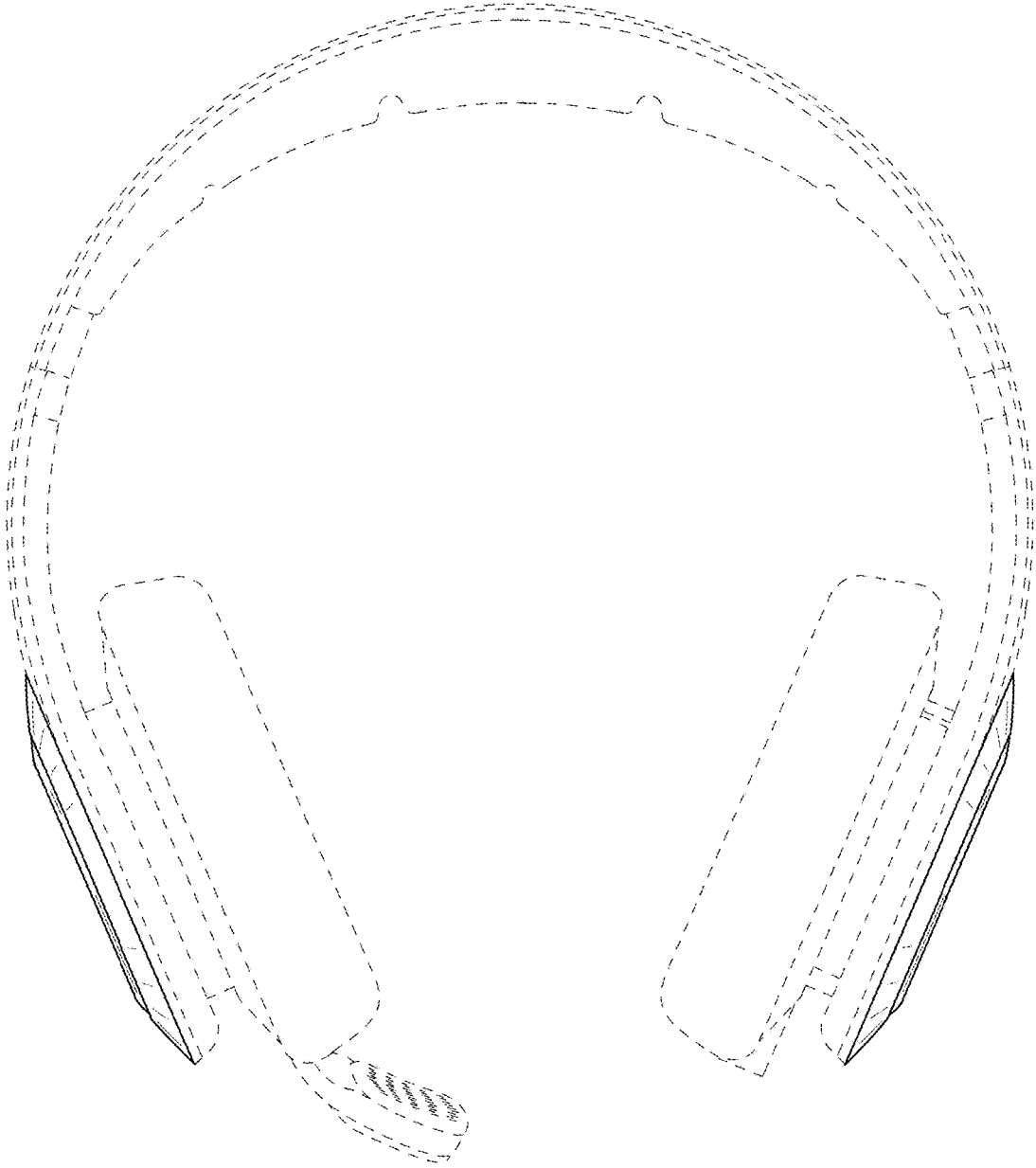


FIG.2

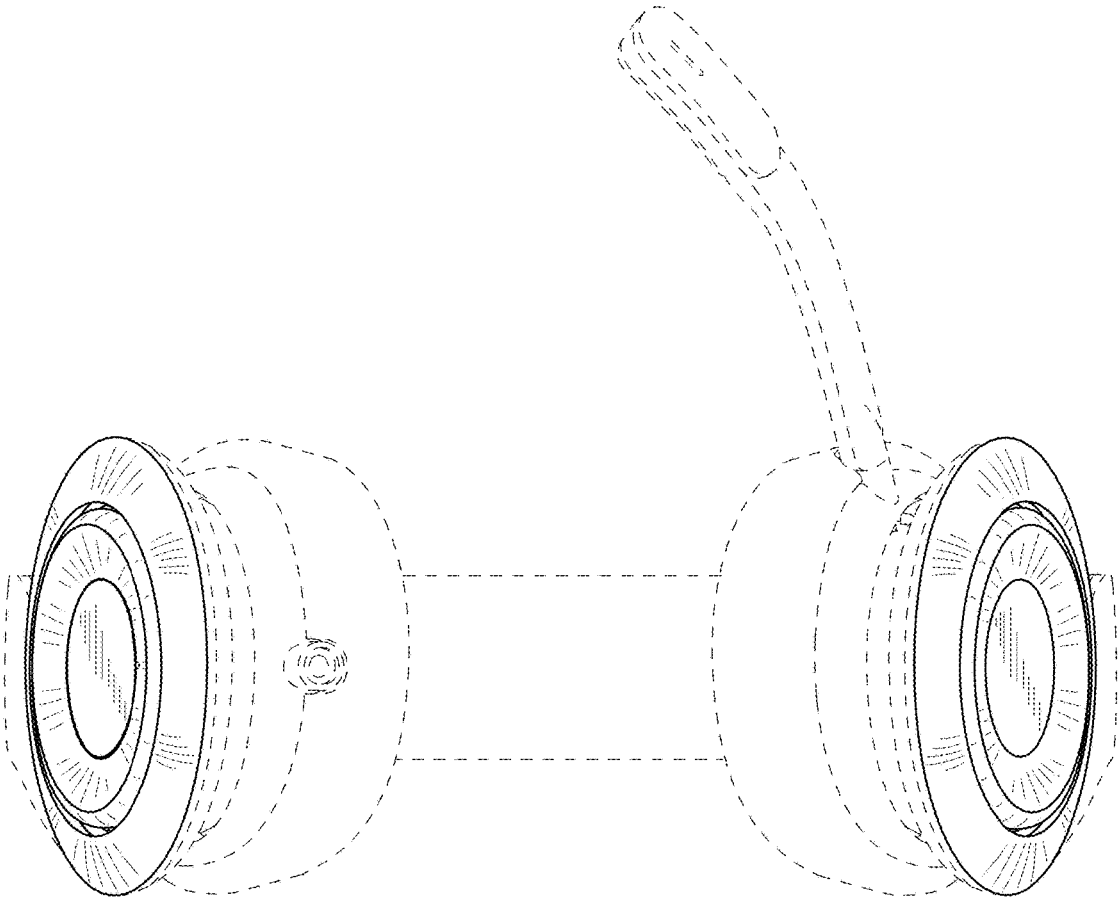


FIG.3



FIG.4

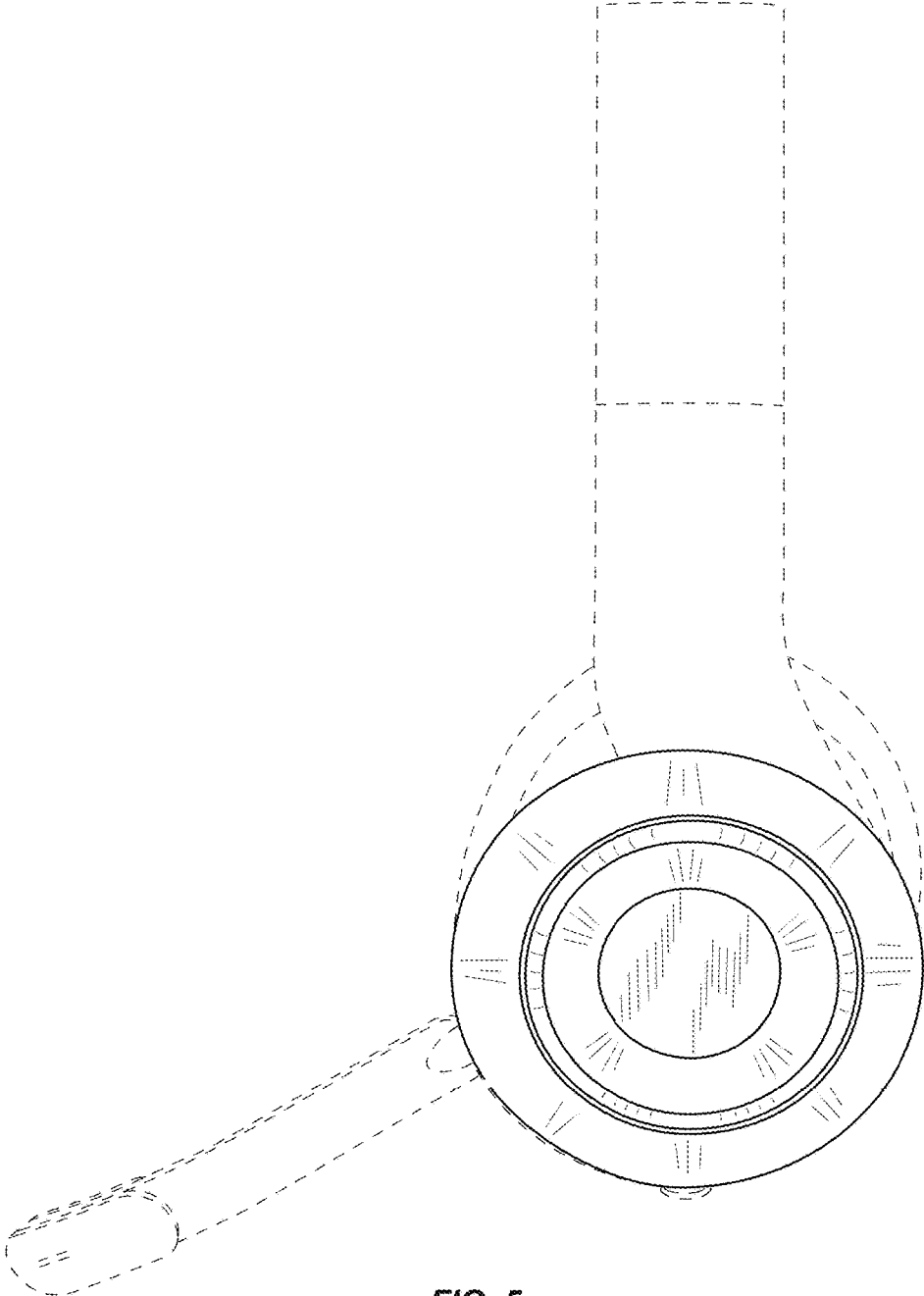


FIG. 5



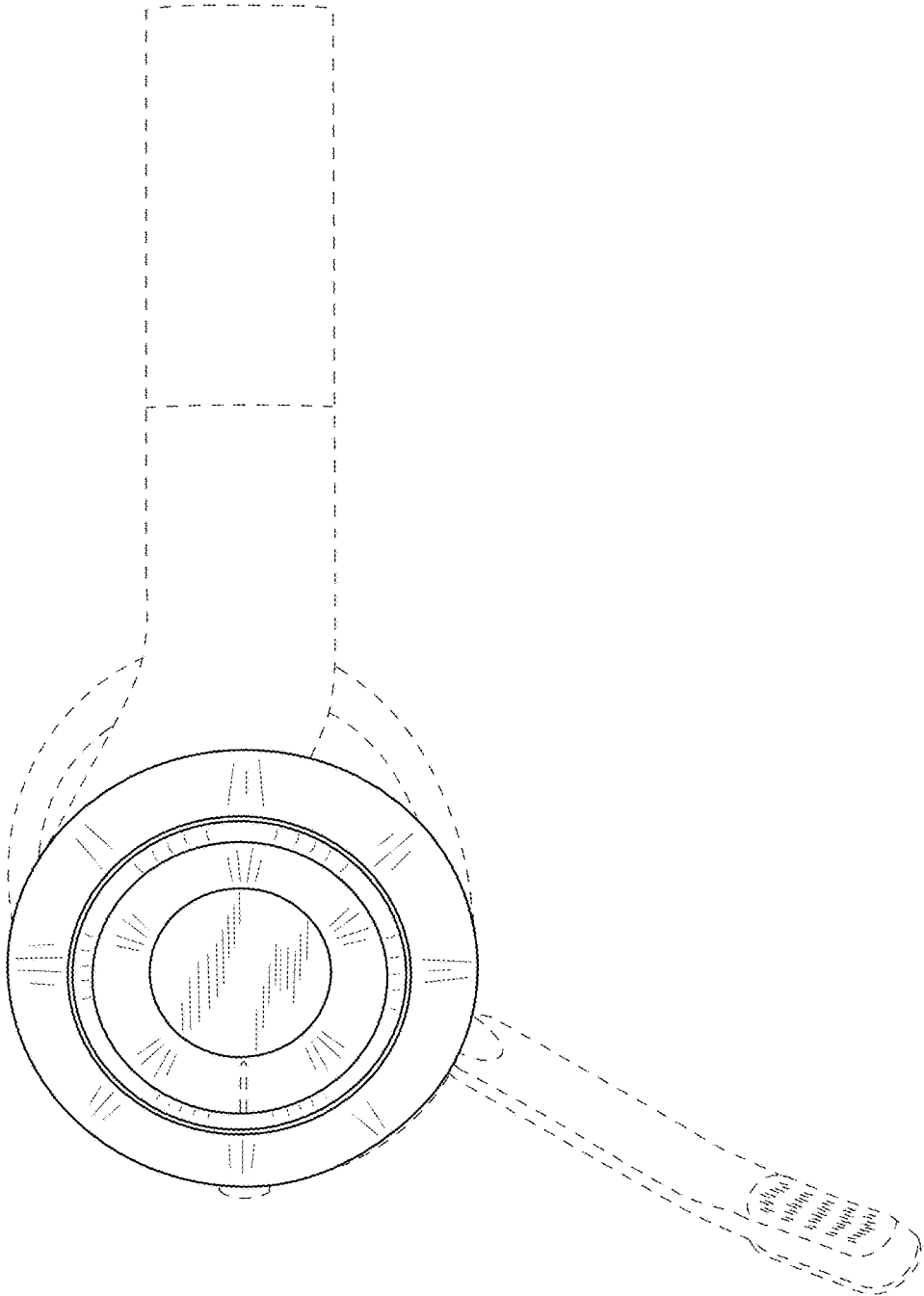


FIG. 6