



US00D947336S

(12) **United States Design Patent**
Victorin et al.

(10) **Patent No.:** **US D947,336 S**

(45) **Date of Patent:** **** Mar. 29, 2022**

- (54) **AIR TREATMENT DEVICE**
- (71) Applicant: **Blueair AB**, Stockholm (SE)
- (72) Inventors: **Fredrik Victorin**, Stockholm (SE);
Marie Ideström, Stockholm (SE);
Fredrick Nilsson, Stockholm (SE);
Christian Engene, Stockholm (SE);
Johan Axelsson, Stockholm (SE)

D847,323 S *	4/2019	Gan	D23/356
D850,596 S *	6/2019	Wu	D23/366
D859,625 S *	9/2019	Yeats	D23/366
D878,534 S *	3/2020	Wang	D23/366
D892,288 S *	8/2020	Baillie	D23/356
D892,289 S *	8/2020	Baillie	D23/356
D900,989 S *	11/2020	Liu	D23/356
D906,500 S *	12/2020	Seo	D23/356
D916,262 S *	4/2021	Wang	D23/356
D916,265 S *	4/2021	Jung	D23/364
D919,064 S *	5/2021	Wang	D23/356
D925,026 S	7/2021	Chen		
D926,951 S	8/2021	Tan et al.		
D928,298 S	8/2021	Zuo et al.		

(73) Assignee: **Blueair AB**, Stockholm (SE)

(**) Term: **15 Years**

(21) Appl. No.: **29/694,120**

(22) Filed: **Jun. 7, 2019**

Related U.S. Application Data

(62) Division of application No. 29/643,992, filed on Apr. 13, 2018, now Pat. No. Des. 889,620.

(51) **LOC (13) Cl.** **23-04**

(52) **U.S. Cl.**
USPC **D23/364**

(58) **Field of Classification Search**
USPC D23/355–366, 352, 369, 332, 333, 335,
D23/336, 342, 351; 422/120, 122;
55/356, 473, 504; 96/97; D14/188, 170,
D14/172; 261/DIG. 17, DIG. 65,
261/DIG. 88, DIG. 31; D18/34.6
CPC .. A61L 9/16; A61L 9/22; B01D 47/00; B01D
47/027; B01D 2221/02; B01D 2259/4508;
B03C 3/155; B03C 3/368; F24F 3/16;
F24F 13/20; F24F 13/28; F24F 3/1405;
F24F 3/1603; F24F 13/222
See application file for complete search history.

(56) **References Cited**

U.S. PATENT DOCUMENTS

D716,427 S *	10/2014	Lim	D23/364
D764,649 S *	8/2016	Ko	D23/364

(Continued)

OTHER PUBLICATIONS

Blueair HealthProtect 7410i [Jun. 29, 2021] found online [Jun. 29, 2021]—<http://www.blueair.com/us/healthprotect-family-page.htm>, Jun. 29, 2021.

Primary Examiner — Nathan M Johnston

(74) *Attorney, Agent, or Firm* — Greenberg Traurig, LLP

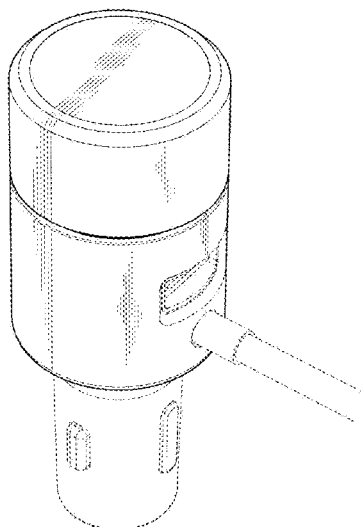
(57) **CLAIM**

The ornamental design for an air treatment device, as shown and described.

DESCRIPTION

FIG. 1 is a perspective view of an air treatment device showing our new design;
FIG. 2 is a first side view thereof;
FIG. 3 is a second side view thereof;
FIG. 4 is a third side view thereof;
FIG. 5 is a fourth side view thereof;
FIG. 6 is a bottom view thereof; and,
FIG. 7 is a top view thereof.
The broken lines shown within the figures form no part of the claimed design.

1 Claim, 7 Drawing Sheets



(56)

References Cited

U.S. PATENT DOCUMENTS

D928,299	S	8/2021	Chen
2014/0224127	A1	8/2014	Nagata
2015/0290572	A1	10/2015	Stoner

* cited by examiner

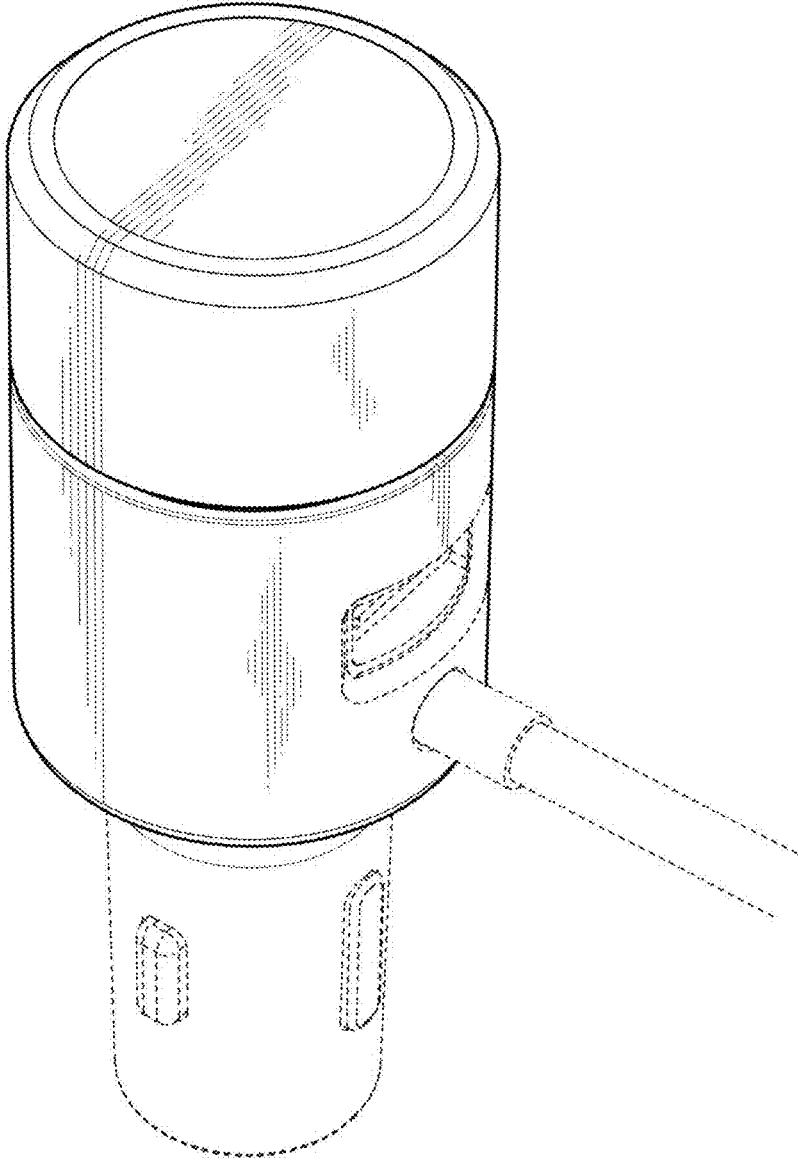


FIG. 1

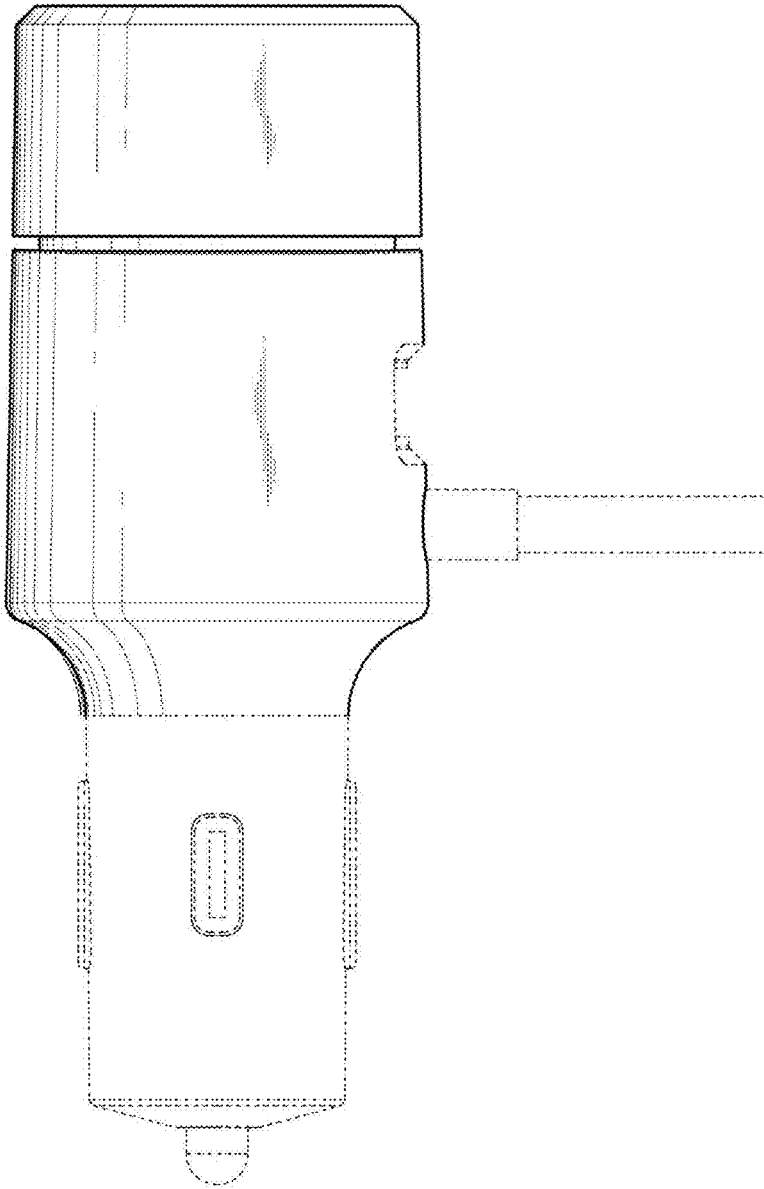


FIG. 2

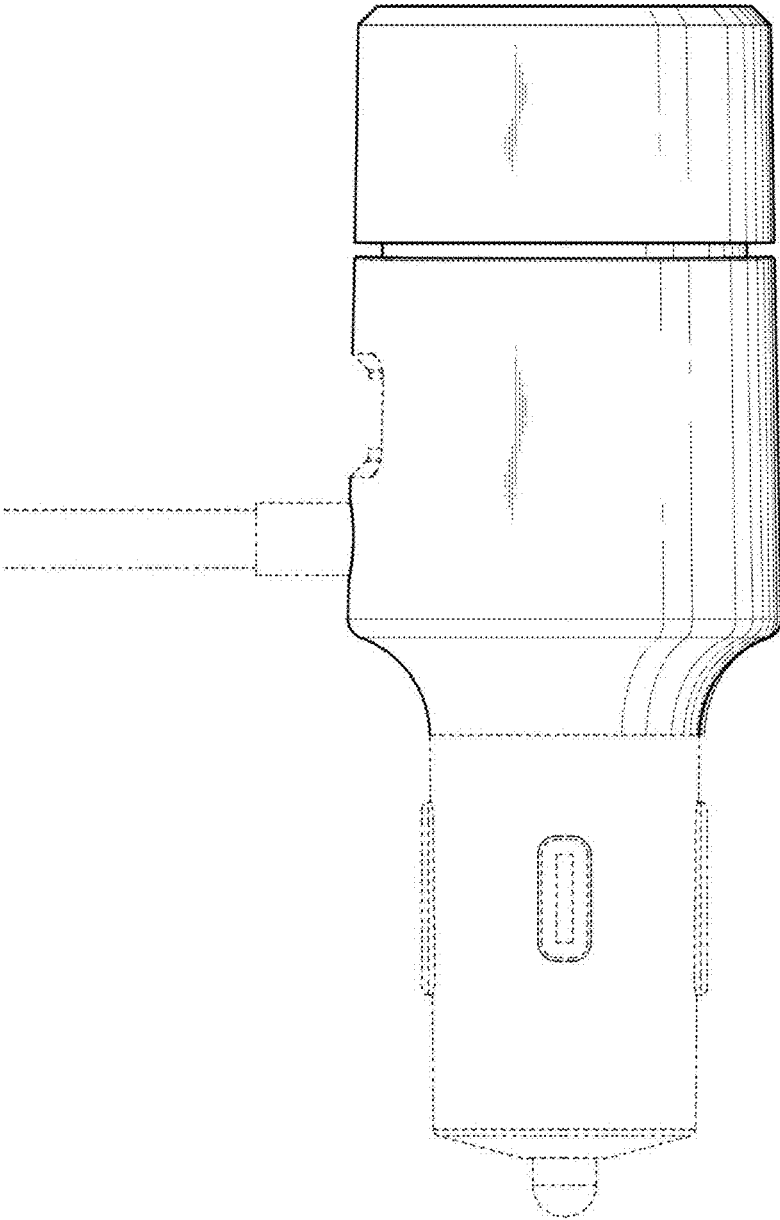


FIG. 3

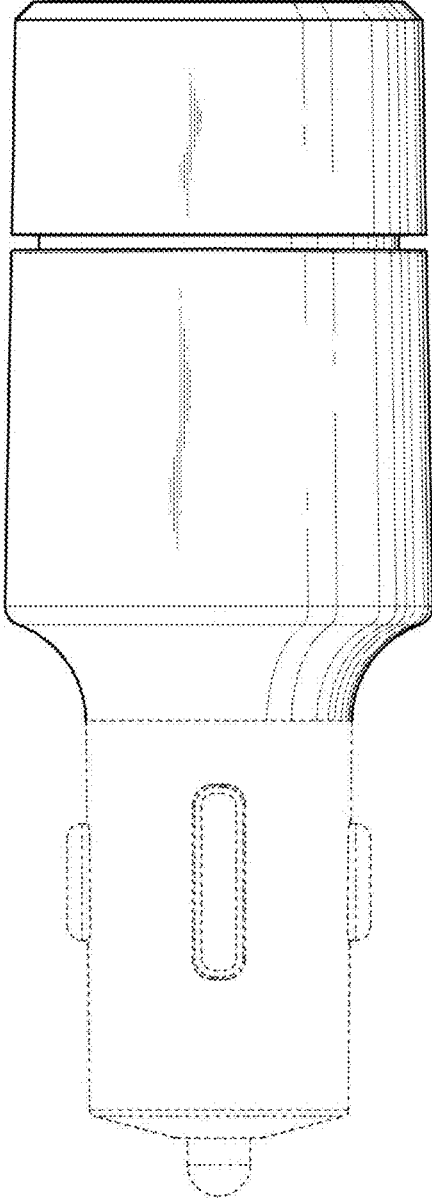


FIG. 4

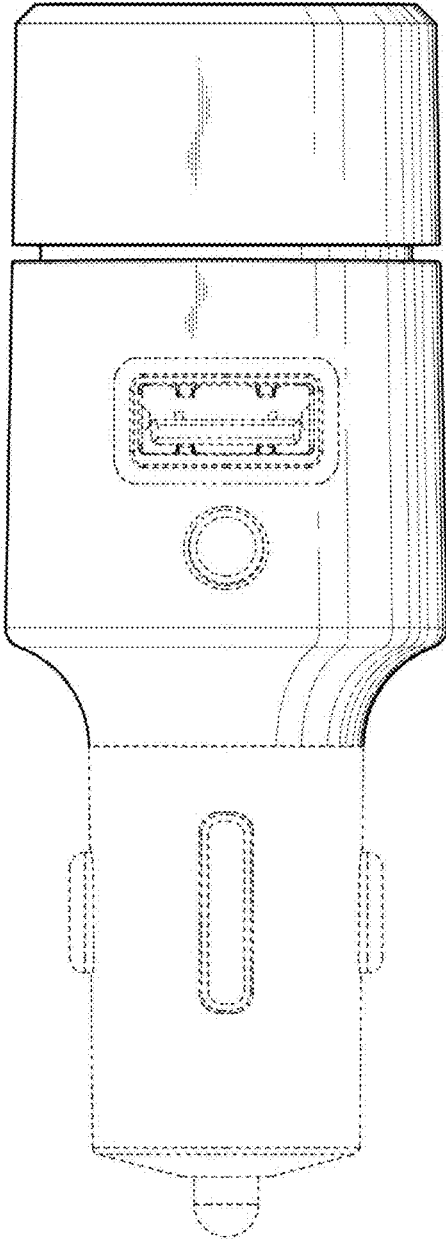


FIG. 5

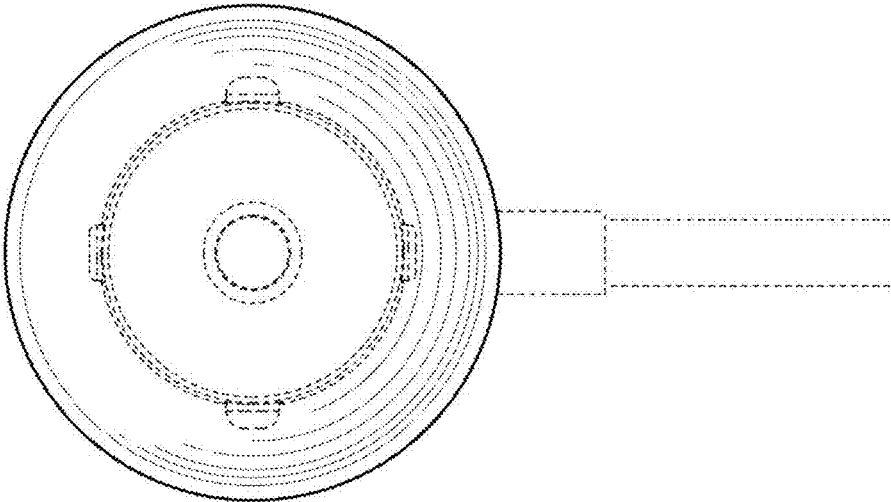


FIG. 6

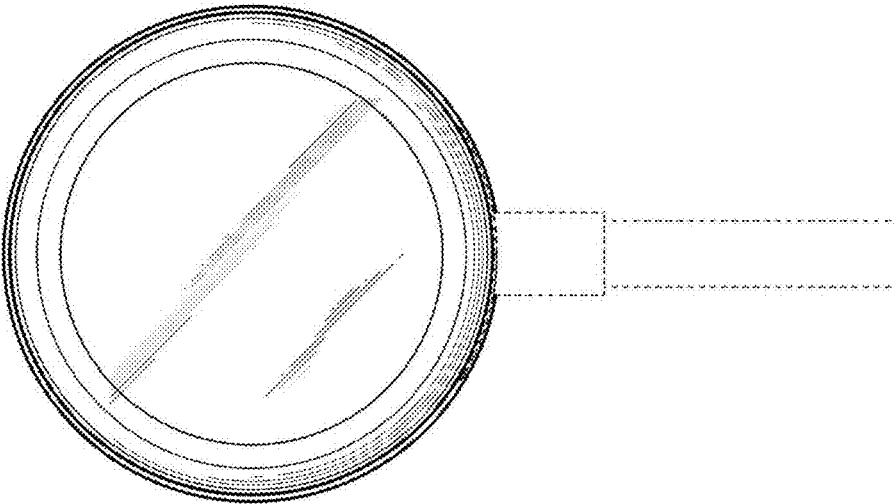


FIG. 7