



(12) **United States Design Patent**
Ware

(10) **Patent No.:** **US D904,848 S**
(45) **Date of Patent:** **** Dec. 15, 2020**

- (54) **NIPPER**
- (71) Applicant: **Joseph Ware**, Rumford, RI (US)
- (72) Inventor: **Joseph Ware**, Rumford, RI (US)
- (**) Term: **15 Years**
- (21) Appl. No.: **29/674,111**
- (22) Filed: **Dec. 19, 2018**
- (51) **LOC (12) Cl.** **08-03**
- (52) **U.S. Cl.**
USPC **D8/98**
- (58) **Field of Classification Search**
USPC D8/14, 51, 52, 98, 4; D15/139
CPC B26B 17/00; B26B 17/003; B26B 17/006;
B26B 17/02
See application file for complete search history.

D811,661 S *	2/2018	Hussain	D28/55
D814,607 S *	4/2018	Kim	D22/149
D818,560 S *	5/2018	Combs	D22/149
2005/0115075 A1*	6/2005	Brauner	A01K 97/00
				30/123
2005/0178008 A1*	8/2005	Foster	F23D 3/16
				30/179
2009/0211098 A1	8/2009	Childs, II		
2009/0308211 A1*	12/2009	McBride	B25B 7/04
				81/342
2010/0236079 A1*	9/2010	Bush	B26B 17/02
				30/180

(56) **References Cited**

U.S. PATENT DOCUMENTS

2,961,670 A *	11/1960	Frame	A01K 97/00	7/106
3,825,961 A *	7/1974	Klein	A01K 95/02	7/106
4,731,927 A	3/1988	Wilson			
D349,636 S *	8/1994	White	D8/52	
D386,658 S *	11/1997	Jansson	D8/52	
5,960,504 A *	10/1999	Dougherty	A01K 97/00	15/104.001
6,941,657 B2	9/2005	Choi et al.			
7,144,128 B2	12/2006	Brauner			
7,194,806 B2	3/2007	Kuzuu			
D558,013 S *	12/2007	Sykes, II	D8/52	
D610,754 S *	2/2010	White	D30/158	
D625,979 S *	10/2010	Lai	D8/52	
8,176,636 B2	5/2012	Bush			
D708,029 S *	7/2014	Kleiber, Jr.	D8/394	
8,984,754 B1	3/2015	Kaidi et al.			
D740,634 S *	10/2015	Descombes	D8/58	
9,192,218 B1	11/2015	Kaidi et al.			

OTHER PUBLICATIONS

Image from simmsfishing.com/guide-nipper, published prior to Jan. 2018.
Images from abelreels.com/nipper, published prior to Jan. 2018.

* cited by examiner

Primary Examiner — Philip S Hyder
(74) *Attorney, Agent, or Firm* — Douglas Denninger

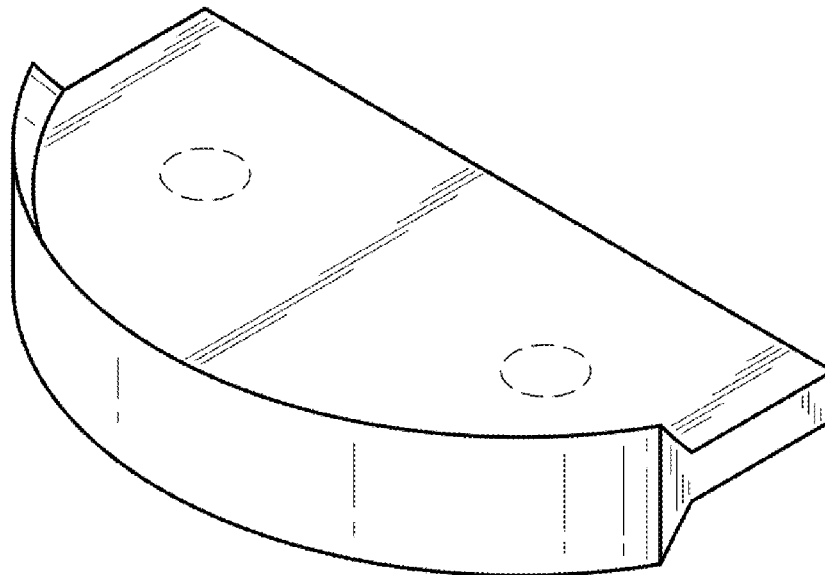
(57) **CLAIM**

I claim the ornamental design for a nipper, as shown and described.

DESCRIPTION

FIG. 1 is a perspective view of a nipper showing my new design;
FIG. 2 is a front elevation view thereof;
FIG. 3 is a rear elevation view thereof;
FIG. 4 is a left-side elevation view thereof, wherein the right-side view is a mirror image; and,
FIG. 5 is a top plan view thereof, wherein the bottom plan view is a mirror image.
The broken lines shown represent unclaimed subject matter and form no part of the claimed design.

1 Claim, 1 Drawing Sheet



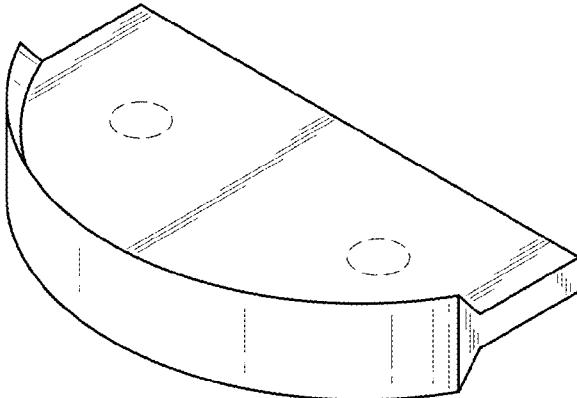


FIG. 1

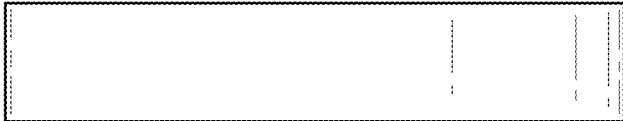


FIG. 2



FIG. 3

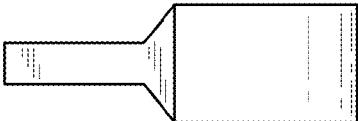


FIG. 4

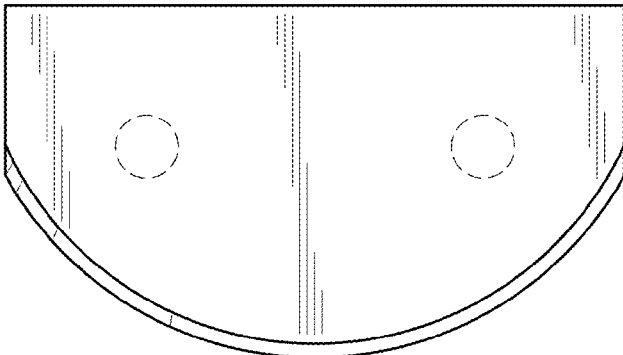


FIG. 5