



US00D616469S

(12) **United States Design Patent**
Ballinger et al.

(10) **Patent No.:** **US D616,469 S**

(45) **Date of Patent:** **** May 25, 2010**

(54) **BUCKET**

(75) Inventors: **Jon C. Ballinger**, Findlay, OH (US);
Gregory J. Smith, Tiffin, OH (US)

(73) Assignee: **Werk-Brau Co. Inc.**, Findlay, OH (US)

(**) Term: **14 Years**

(21) Appl. No.: **29/343,758**

(22) Filed: **Sep. 18, 2009**

(51) **LOC (9) Cl.** **15-03**

(52) **U.S. Cl.** **D15/32**

(58) **Field of Classification Search** D15/10,
D15/22-26, 28, 29, 32; D21/537; 414/722,
414/723, 686; 172/272-275; 403/324, 326,
403/315, 322.1; 37/403, 405, 408, 409, 411,
37/468, 444, 446, 443, 435, 379

See application file for complete search history.

(56) **References Cited**

U.S. PATENT DOCUMENTS

4,081,919 A *	4/1978	Teach	37/444
4,297,074 A *	10/1981	Ballinger	414/723
D274,622 S *	7/1984	Neander	D15/32
D299,723 S *	2/1989	Frawley	D15/32
D308,528 S *	6/1990	Harr	D15/32
5,332,353 A *	7/1994	Arnold	414/723
5,416,990 A *	5/1995	Otwell	37/445
5,526,591 A *	6/1996	Otwell	37/444
5,951,192 A *	9/1999	Collins	403/150
6,070,345 A *	6/2000	Akaki et al.	37/407
6,074,120 A *	6/2000	Williams	403/326

6,108,951 A *	8/2000	Renfrow et al.	37/468
D431,253 S *	9/2000	Marchetta et al.	D15/25
RE37,320 E *	8/2001	Horton	37/468
6,350,079 B1 *	2/2002	Williams	403/326
D469,786 S *	2/2003	Miller et al.	D15/24
6,659,708 B2 *	12/2003	Heiple	414/723
D524,826 S *	7/2006	Boyapally et al.	D15/29
D551,684 S *	9/2007	McClallen et al.	D15/32
2002/0192064 A1 *	12/2002	Heiple	414/723
2003/0131505 A1 *	7/2003	Heiple	37/468

* cited by examiner

Primary Examiner—Stella M Reid

Assistant Examiner—Mark A Goodwin

(74) *Attorney, Agent, or Firm*—Brinks Hofer Gilson & Lione

(57) **CLAIM**

The ornamental design for a bucket, as shown and described.

DESCRIPTION

FIG. 1 is a front perspective view of a bucket showing our new design;

FIG. 2 is a right rear perspective view thereof;

FIG. 3 is a left side view thereof, the opposite side being a mirror image thereof;

FIG. 4 is a front view thereof;

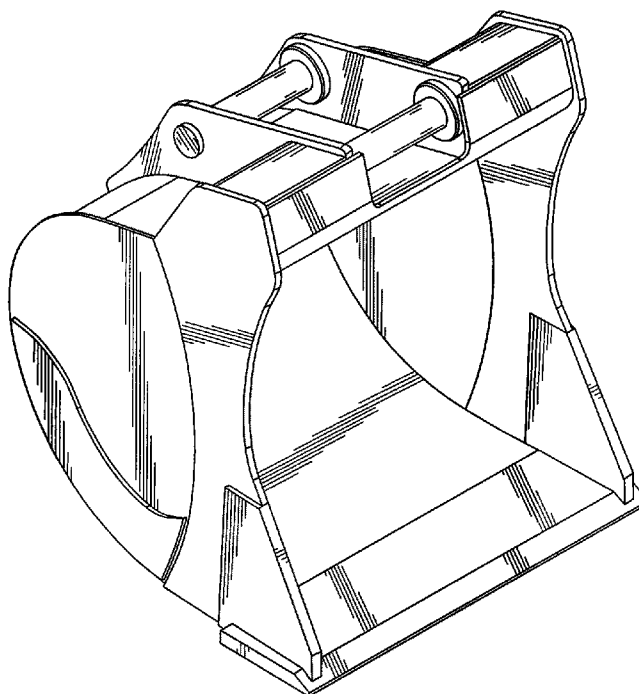
FIG. 5 is a top view thereof;

FIG. 6 is a rear view thereof;

FIG. 7 is a bottom view thereof; and,

FIG. 8 is a bottom right perspective view thereof.

1 Claim, 8 Drawing Sheets



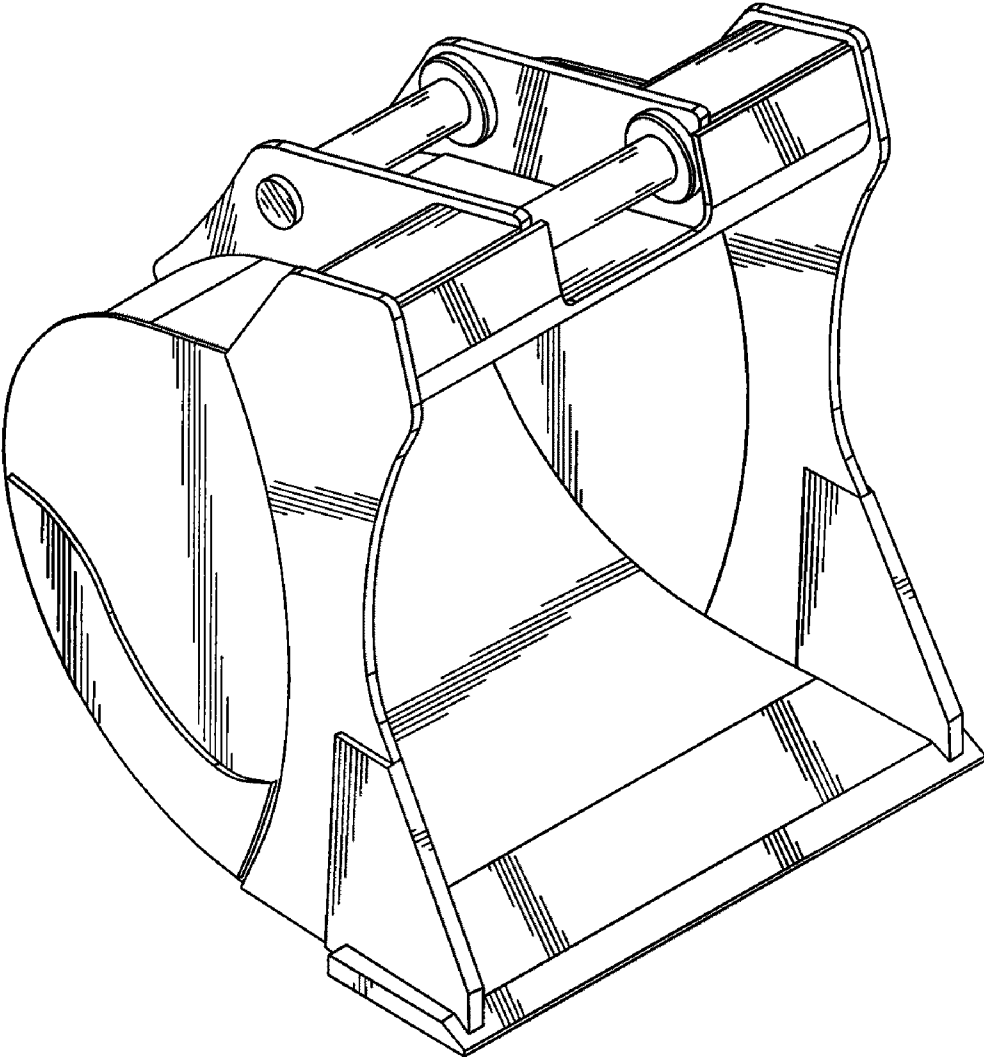


FIG. 1

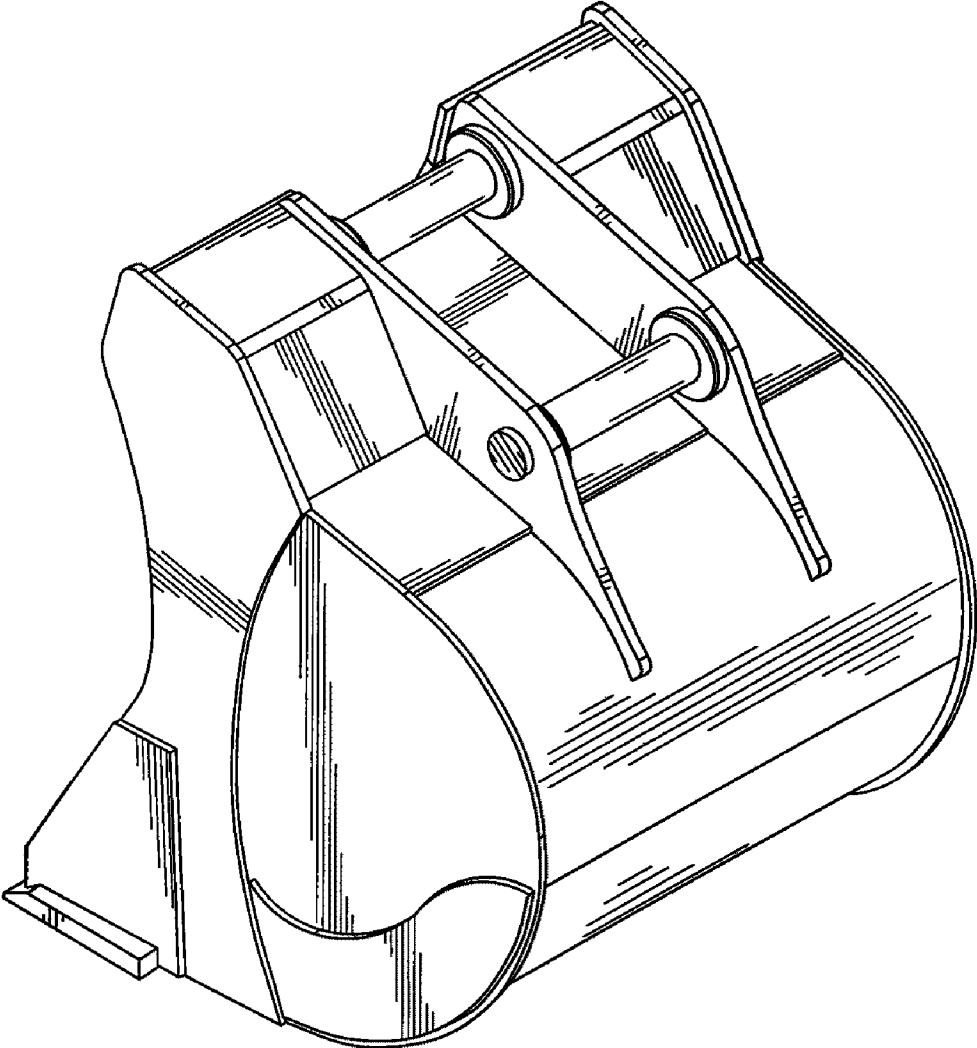


FIG. 2

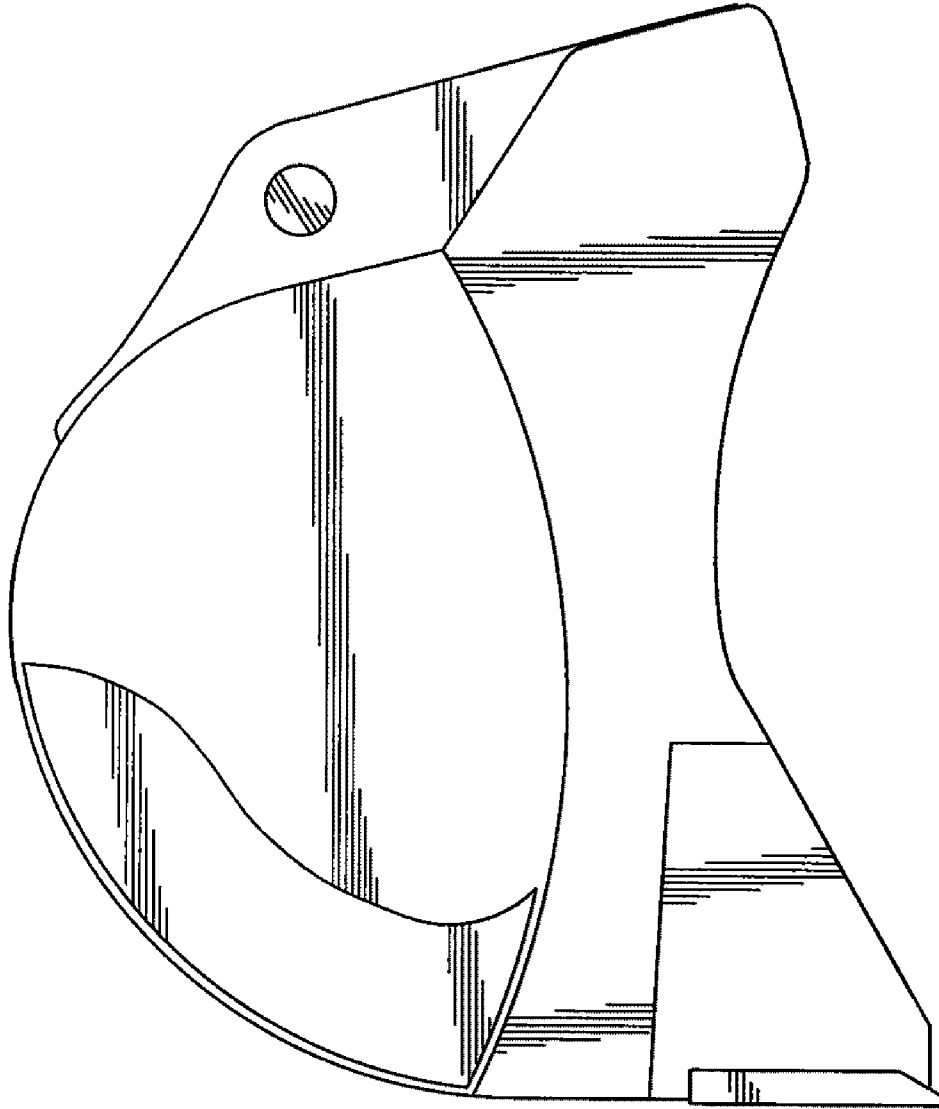


FIG. 3

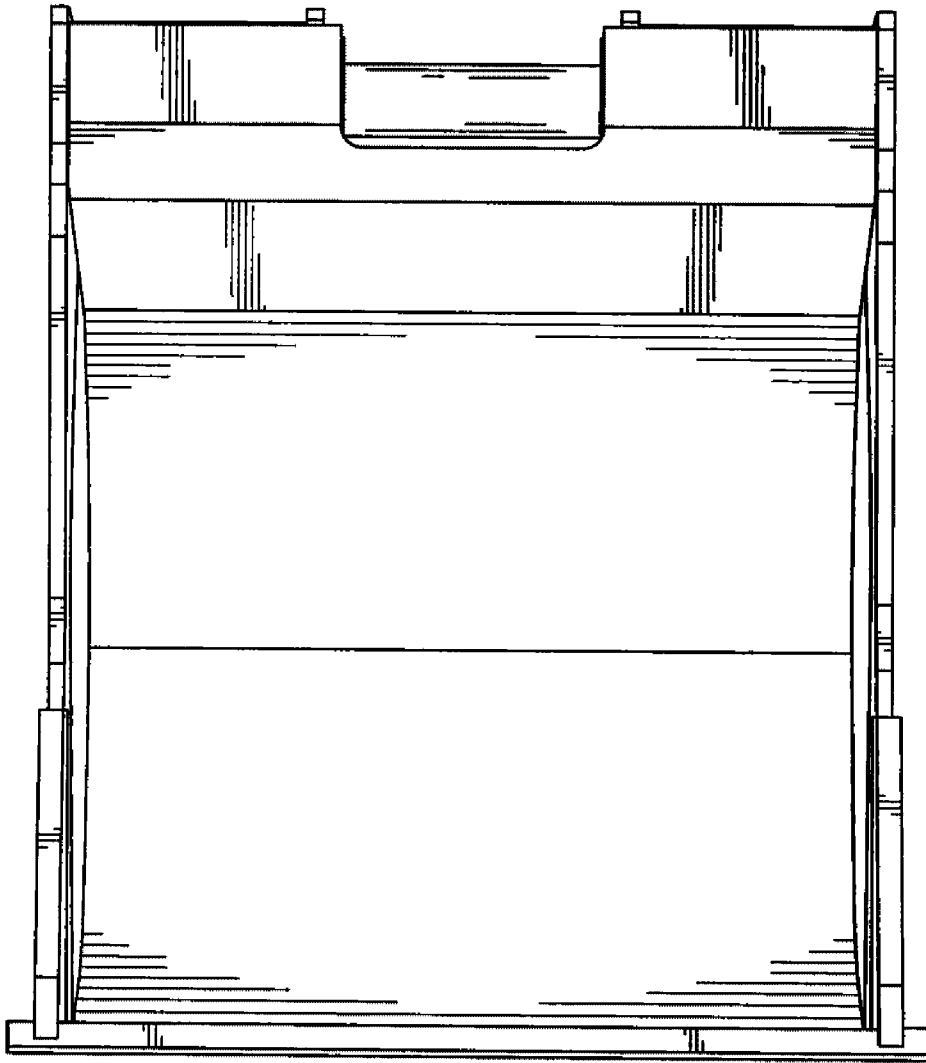


FIG. 4

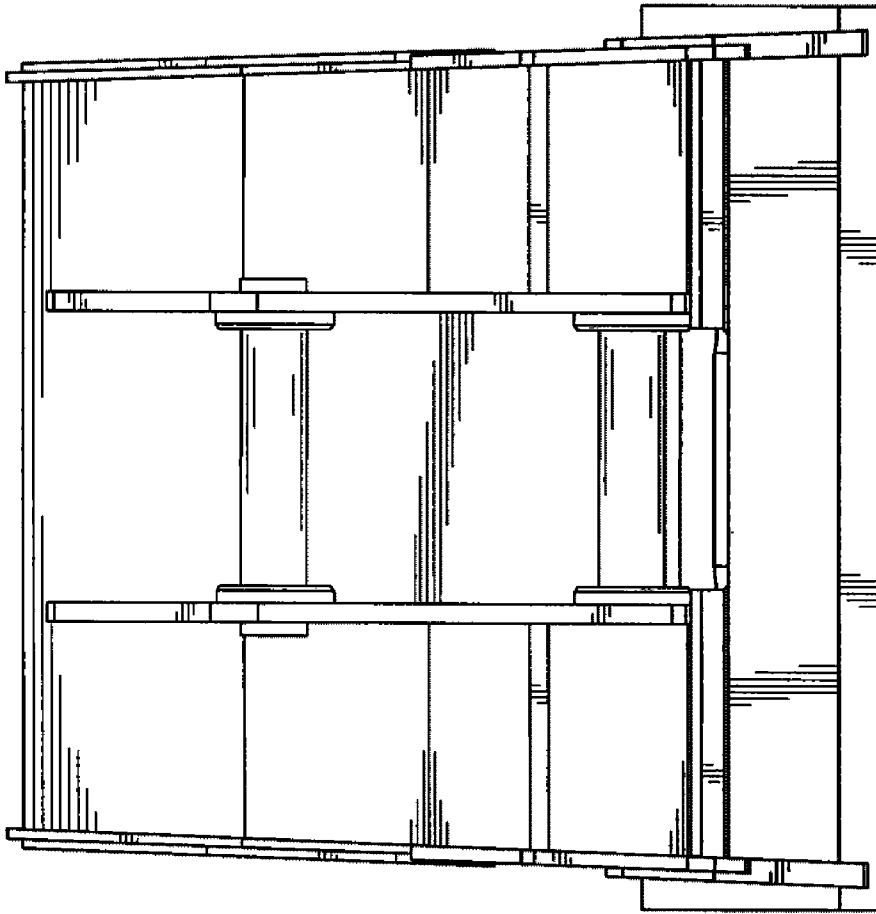


FIG. 5

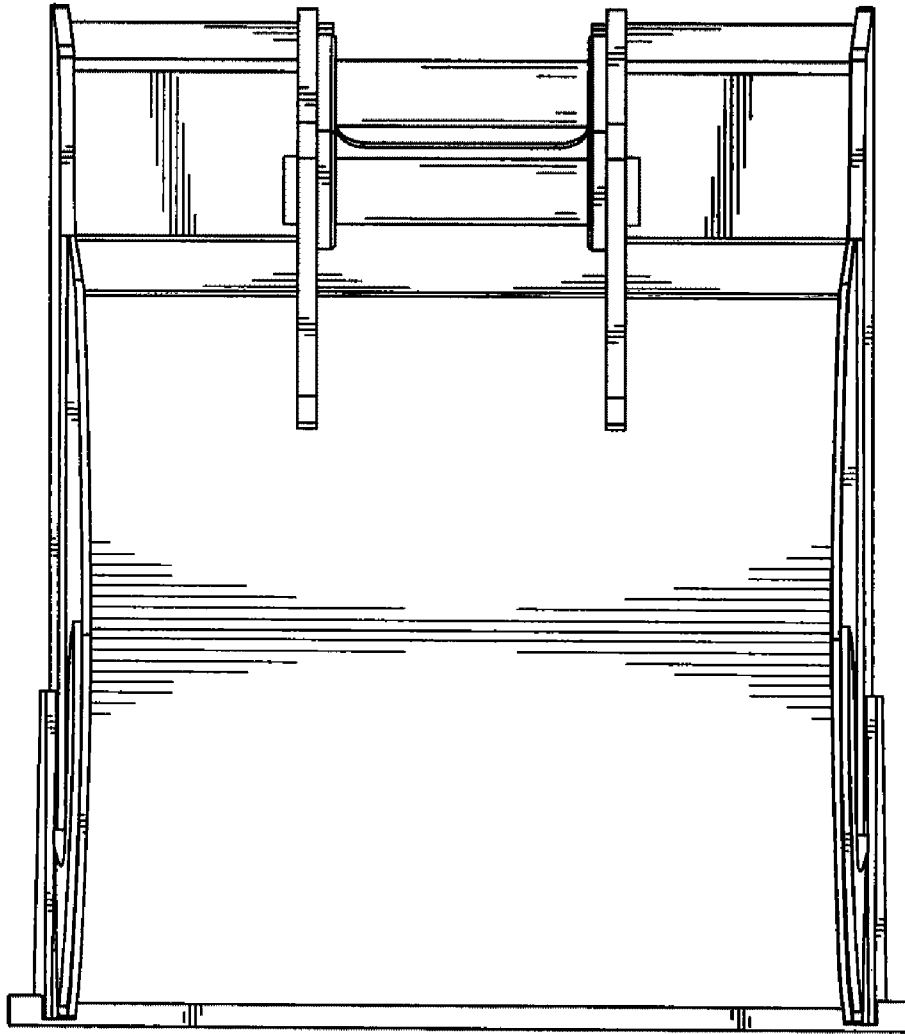


FIG. 6

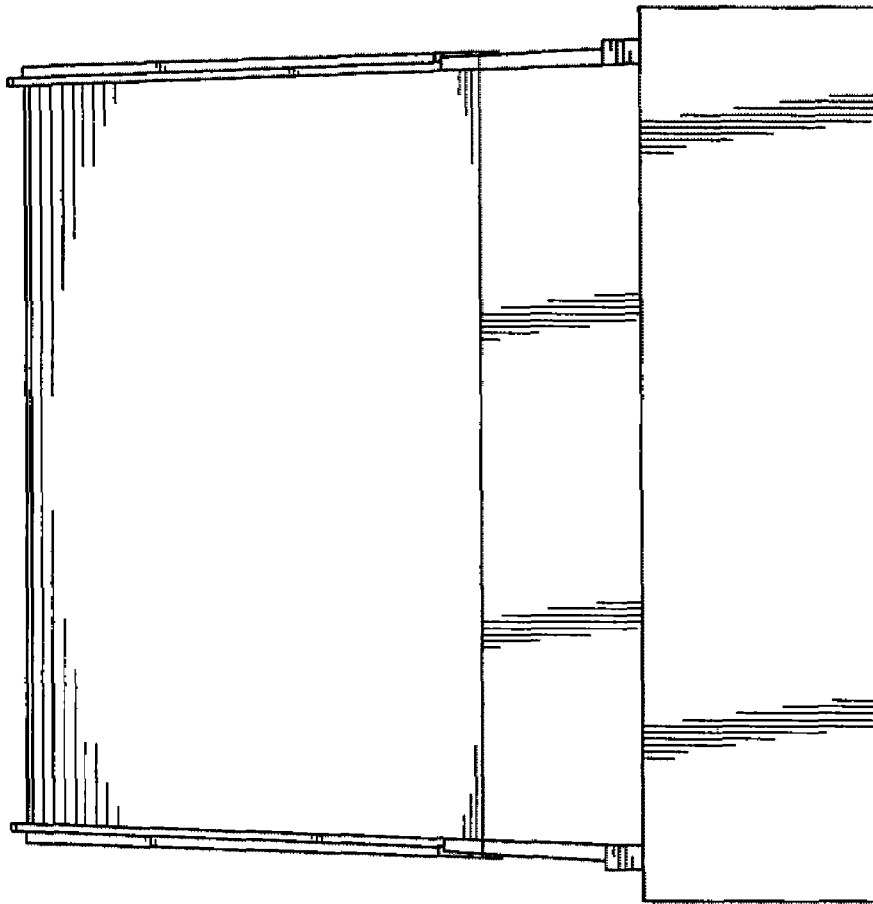


FIG. 7

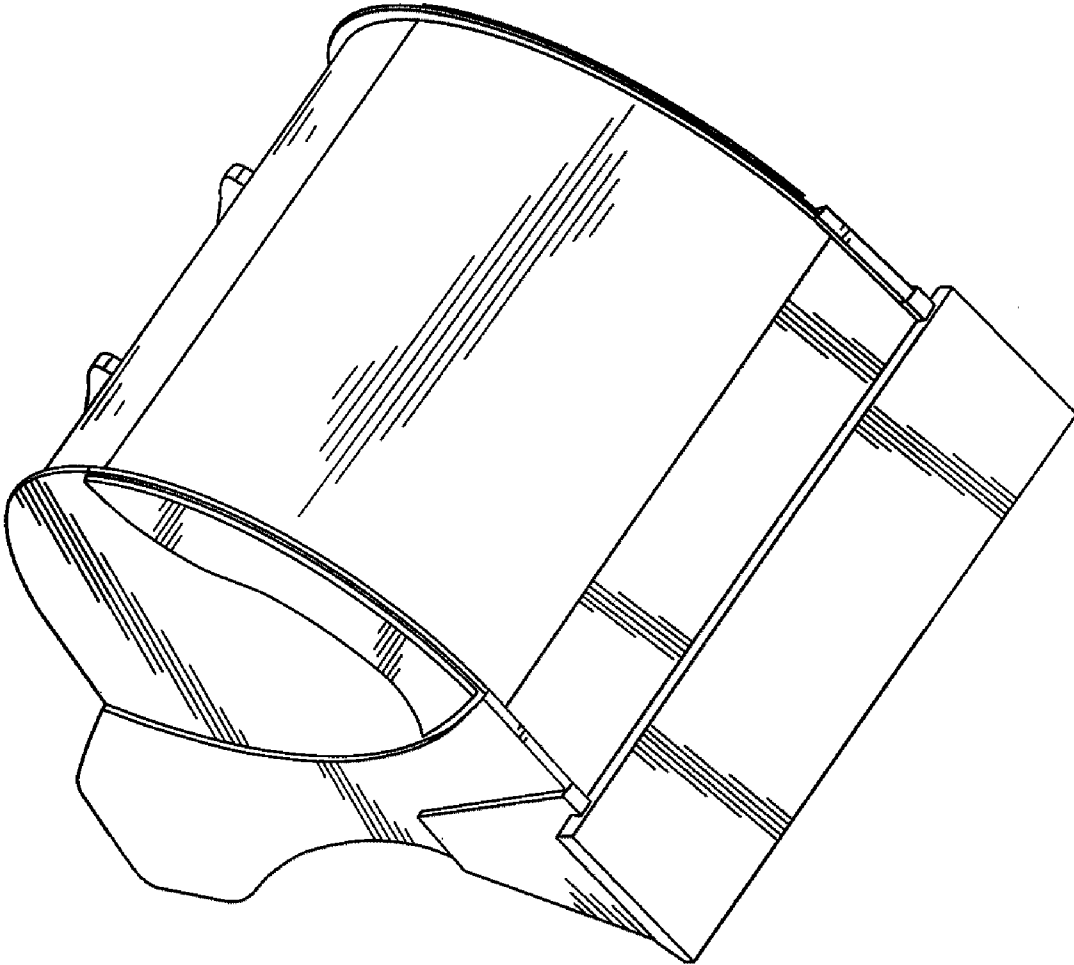


FIG. 8