



US00D648468S

(12) **United States Design Patent**
Gibson

(10) **Patent No.:** **US D648,468 S**

(45) **Date of Patent:** **** Nov. 8, 2011**

(54) **LIGHTING DEVICE**

(75) Inventor: **Ronald S. Gibson**, Valencia, CA (US)

(73) Assignee: **SureFire, LLC**, Fountain Valley, CA (US)

(**) Term: **14 Years**

(21) Appl. No.: **29/383,208**

(22) Filed: **Jan. 13, 2011**

(51) **LOC (9) Cl.** **26-02**

(52) **U.S. Cl.** **D26/49**

(58) **Field of Classification Search** D26/37,
D26/38, 39, 46; 362/103, 105, 108, 157,
362/158, 184, 183, 192, 193, 194–208
See application file for complete search history.

(56) **References Cited**

U.S. PATENT DOCUMENTS

4,654,757	A	3/1987	Birkhauser	
D320,667	S *	10/1991	Smith	D26/39
D394,720	S *	5/1998	Yuen	D26/39
D470,615	S *	2/2003	Janice et al.	D26/39
D492,052	S *	6/2004	Schnell	D26/39
6,903,271	B2	6/2005	Pearson et al.	
7,116,061	B2	10/2006	Kim et al.	
D554,782	S *	11/2007	Shiu	D26/39
D566,310	S *	4/2008	Alessio	D26/39
D583,971	S *	12/2008	Castellucci et al.	D26/39
7,513,660	B2	4/2009	Spartano et al.	
7,568,812	B1	8/2009	Kumthampinij et al.	
D614,786	S *	4/2010	Lee	D26/39
D615,680	S	5/2010	Kim	
D620,160	S *	7/2010	Kang et al.	D26/39
D623,783	S *	9/2010	Christianson et al.	D26/39
D625,863	S *	10/2010	Kingston et al.	D26/39
2002/0141197	A1	10/2002	Petroski	
2008/0205036	A1	8/2008	Tarter et al.	
2010/0177502	A1	7/2010	Lau	
2010/0214766	A1	8/2010	Hunt	
2010/0277096	A1	11/2010	Kim	
2010/0277894	A1	11/2010	Kim	

OTHER PUBLICATIONS

U.S. Appl. No. 13/006,312, filed: Jan. 13, 2011, inventors: Gibson et al.

* cited by examiner

Primary Examiner — Ian Simmons

Assistant Examiner — Carissa C Fitts

(74) *Attorney, Agent, or Firm* — Haynes and Boone, LLP

(57) **CLAIM**

The ornamental design for a lighting device, as shown and described.

DESCRIPTION

FIG. 1 is a front perspective view of a lighting device showing my new design;

FIG. 2 is a rear perspective view thereof;

FIG. 3 is a front side elevational view thereof;

FIG. 4 is a rear side elevational view thereof;

FIG. 5 is a left side elevational view thereof;

FIG. 6 is a right side elevational view thereof;

FIG. 7 is a top plan view thereof; and

FIG. 8 is a bottom plan view thereof.

FIG. 9 is a front perspective view of the lighting device implemented as part of a mountable device in which the lighting device is secured to a cradle and in which the cradle is secured to a strap, wherein the mountable device may be used as a headlamp, a belt light, or other appropriate uses;

FIG. 10 is a rear perspective view thereof;

FIG. 11 is a front side elevational view thereof;

FIG. 12 is a rear side elevational view thereof;

FIG. 13 is a left side elevational view thereof;

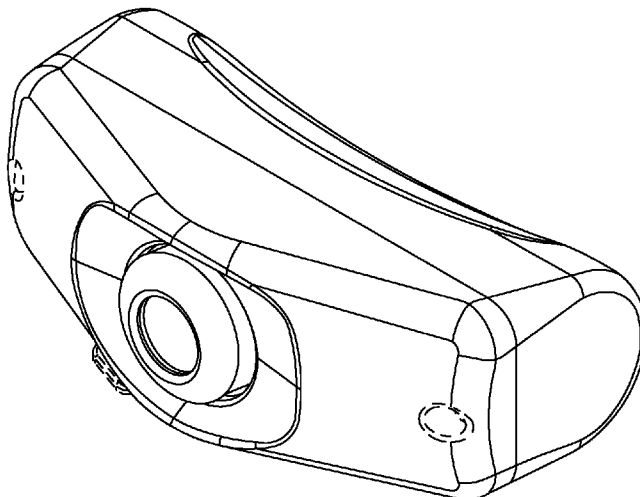
FIG. 14 is a right side elevational view thereof;

FIG. 15 is a top plan view thereof; and,

FIG. 16 is a bottom plan view thereof.

The broken lines in the figures are shown for the purpose of illustrating environmental matter and form no part of the claimed design.

1 Claim, 16 Drawing Sheets



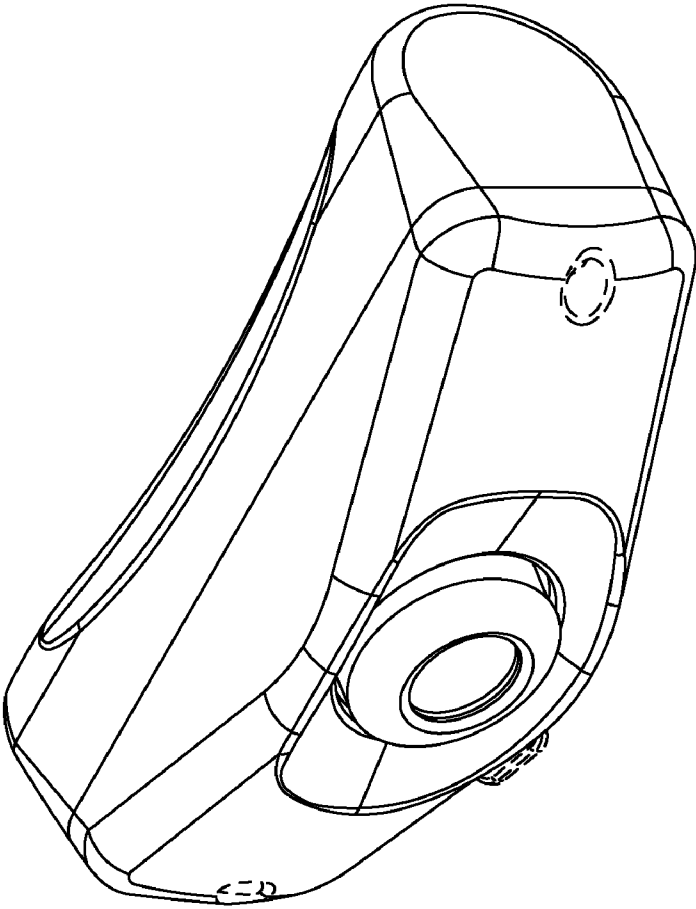


FIG. 1

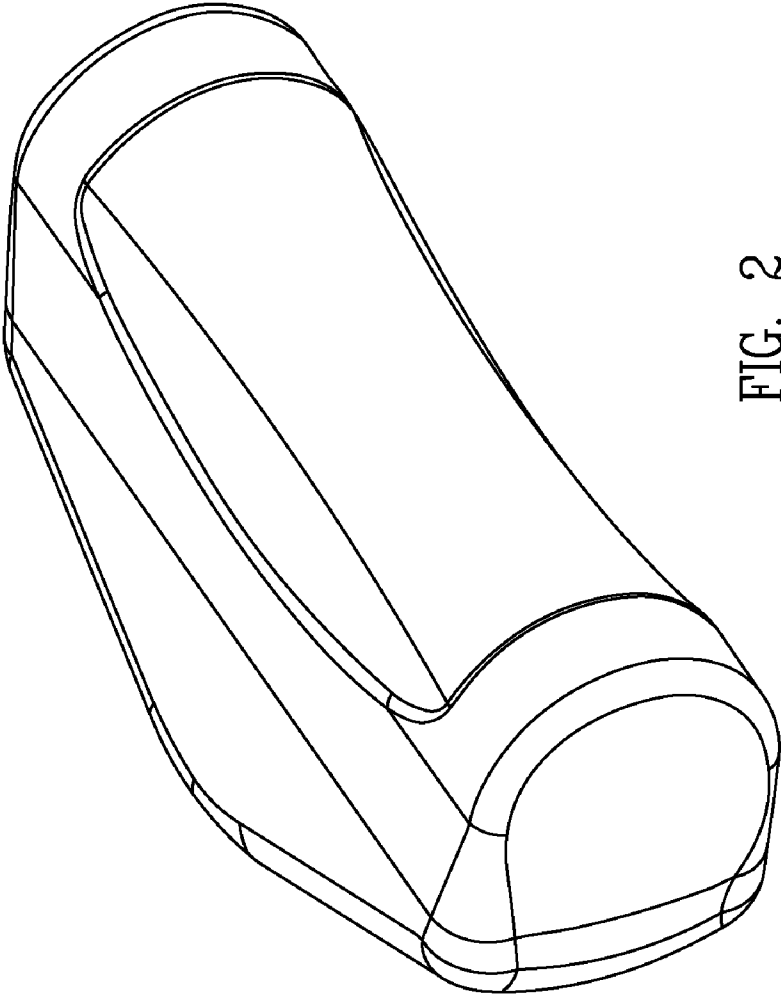


FIG. 2

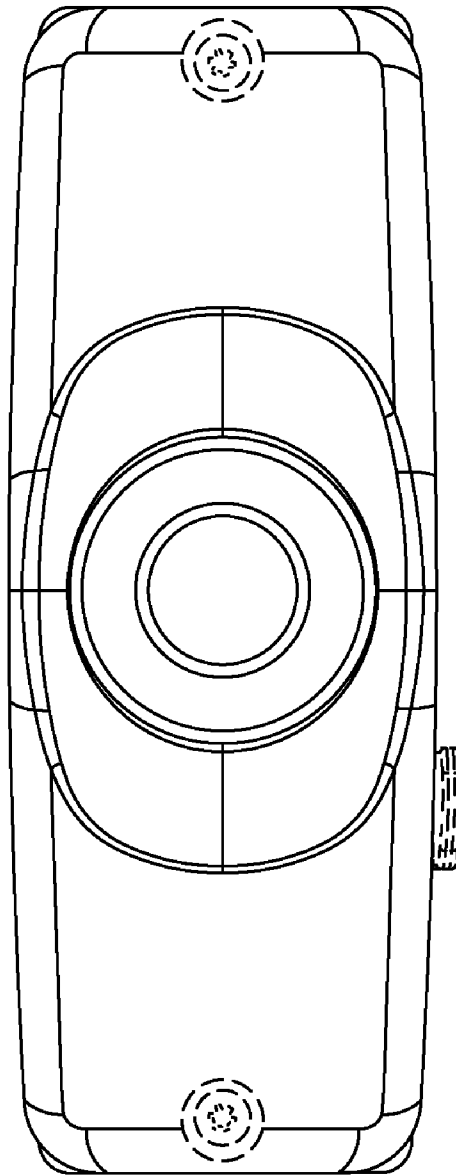


FIG. 3

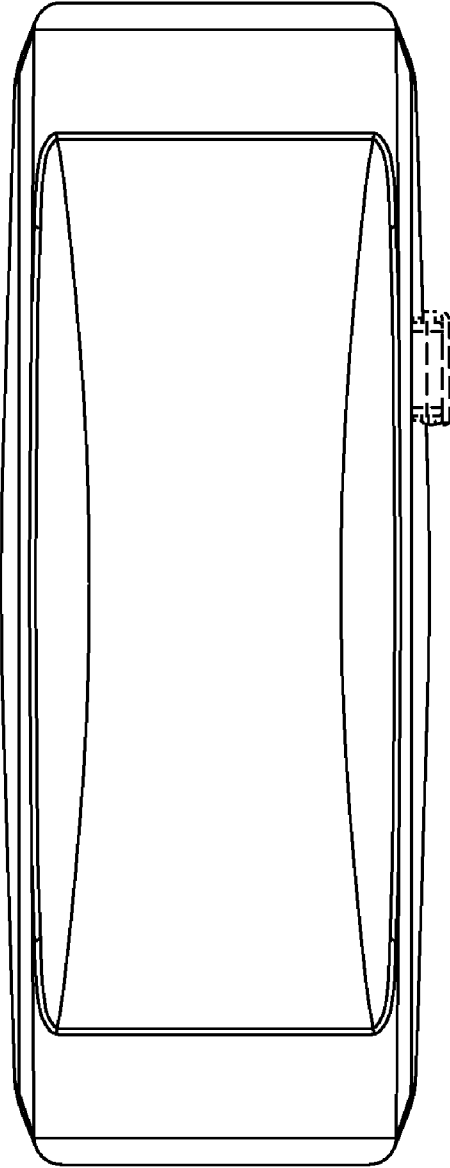


FIG. 4

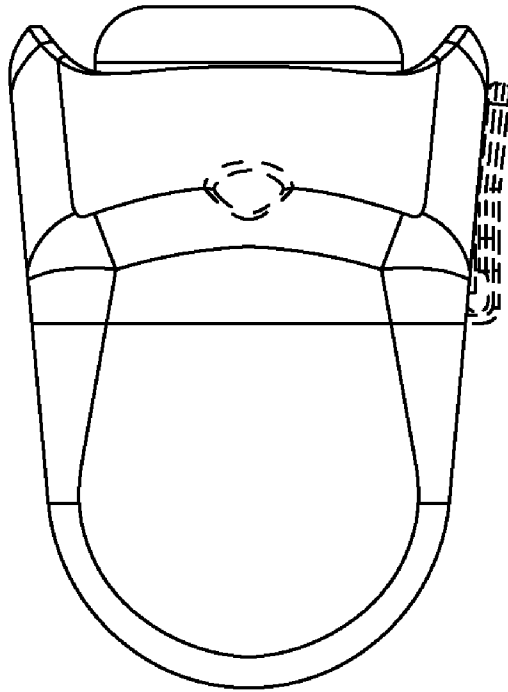


FIG. 5

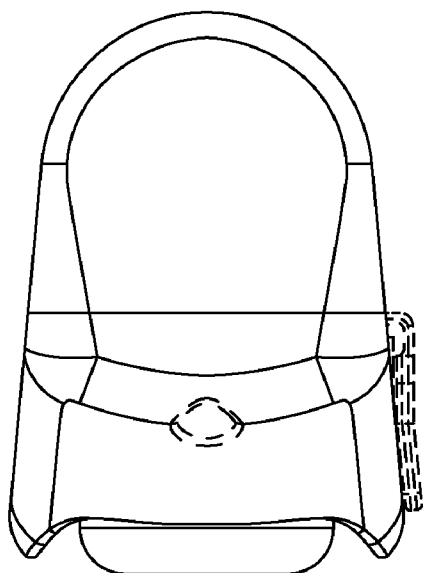


FIG. 6

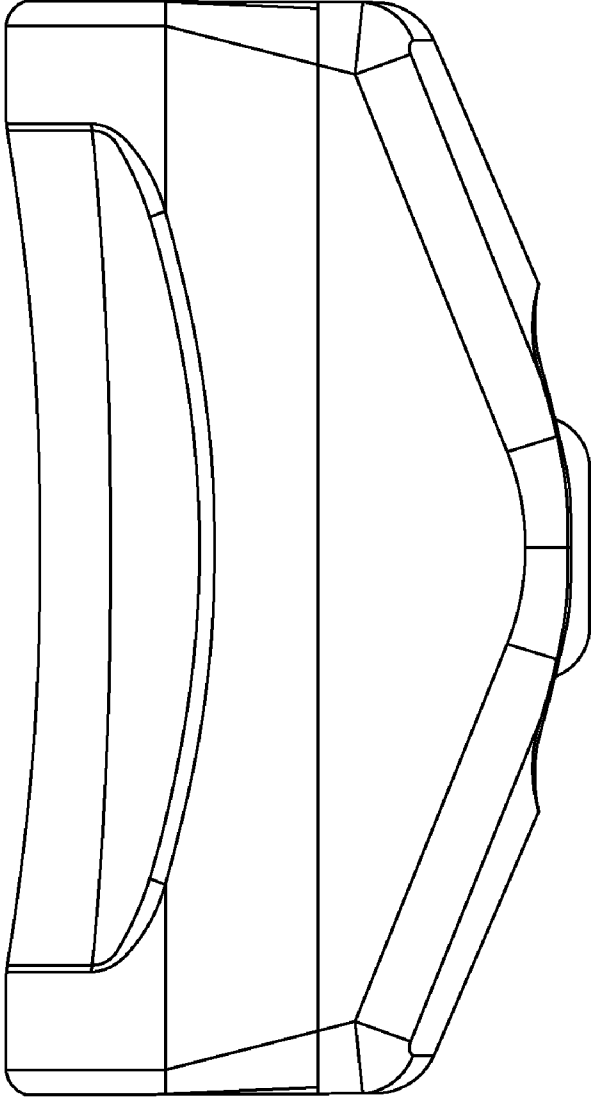


FIG. 7

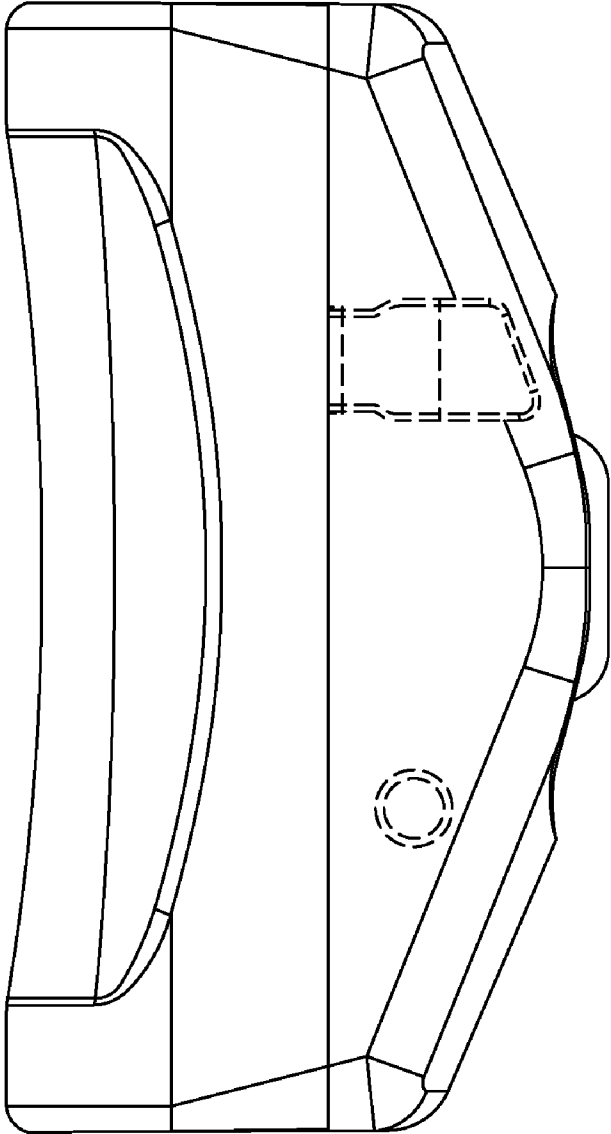


FIG. 8

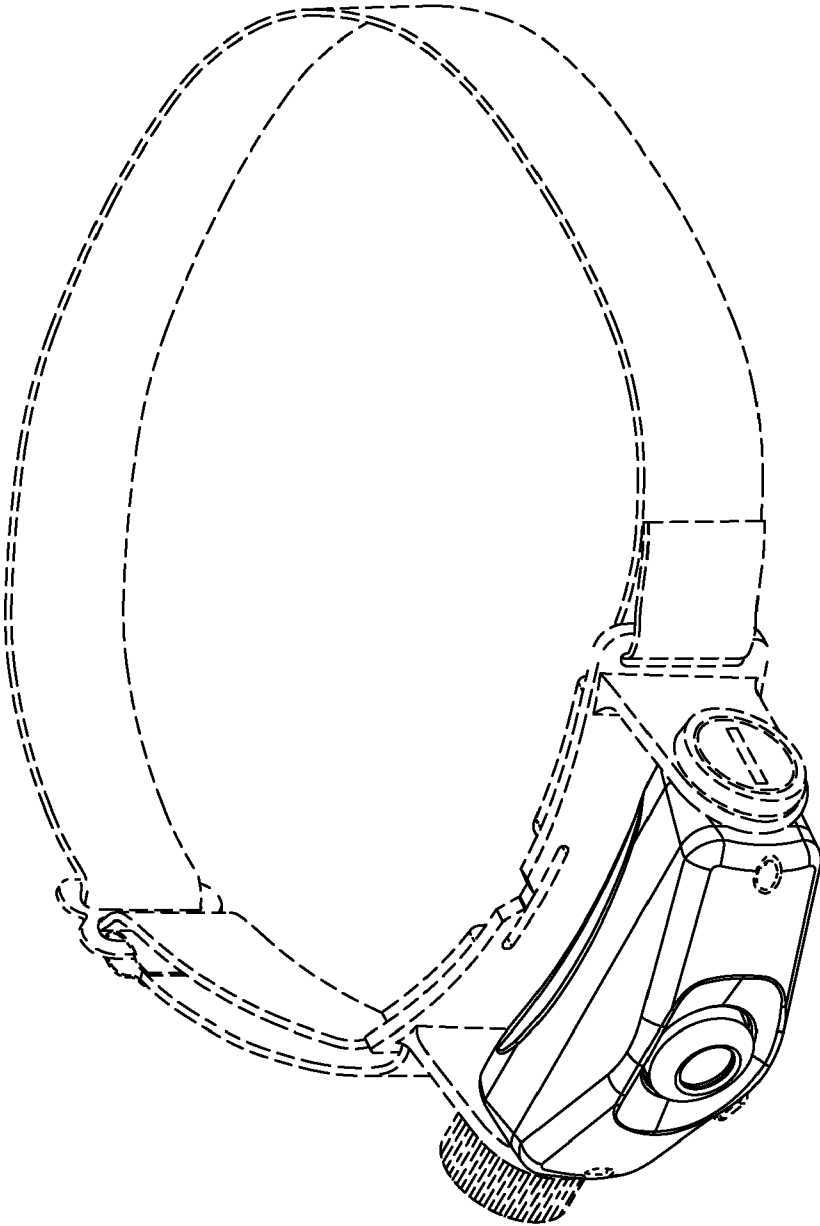


FIG. 9

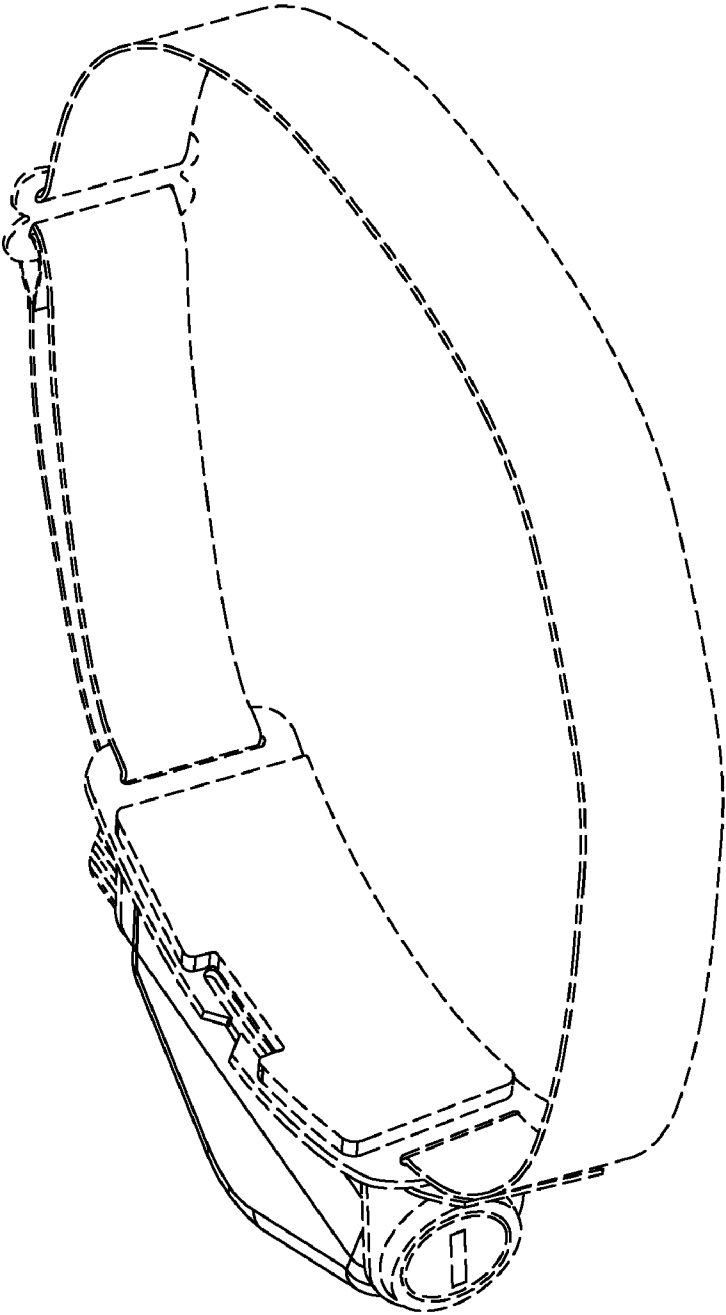


FIG. 10

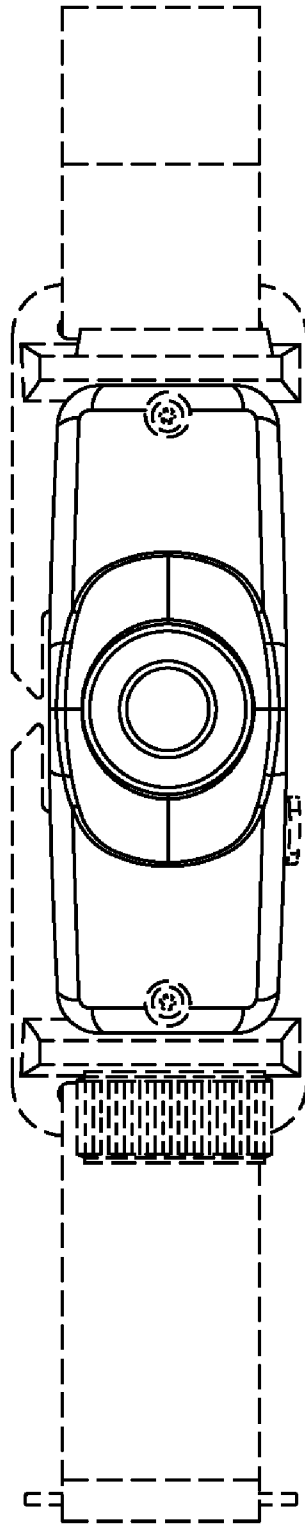


FIG. 11



FIG. 12

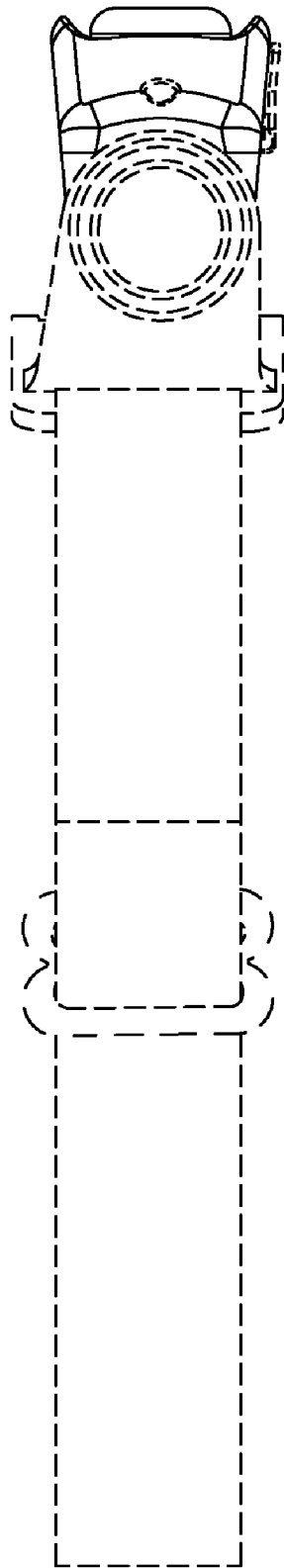


FIG. 13

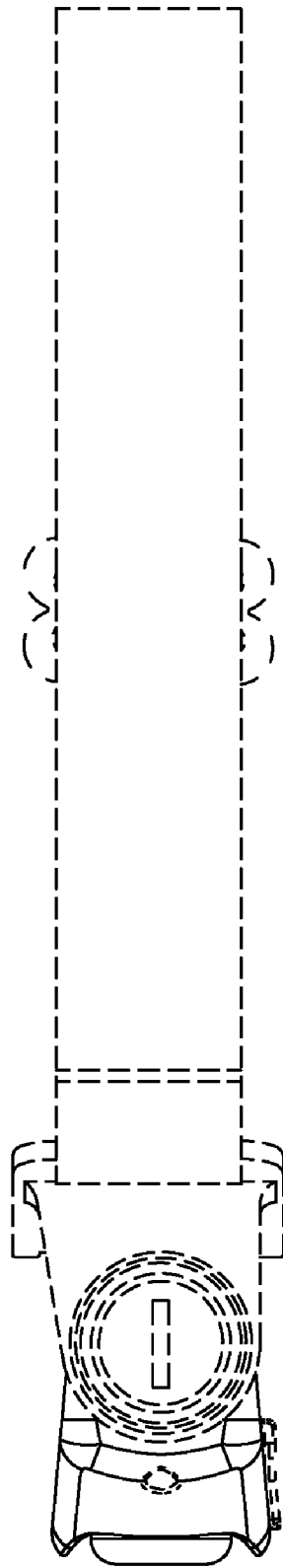


FIG. 14

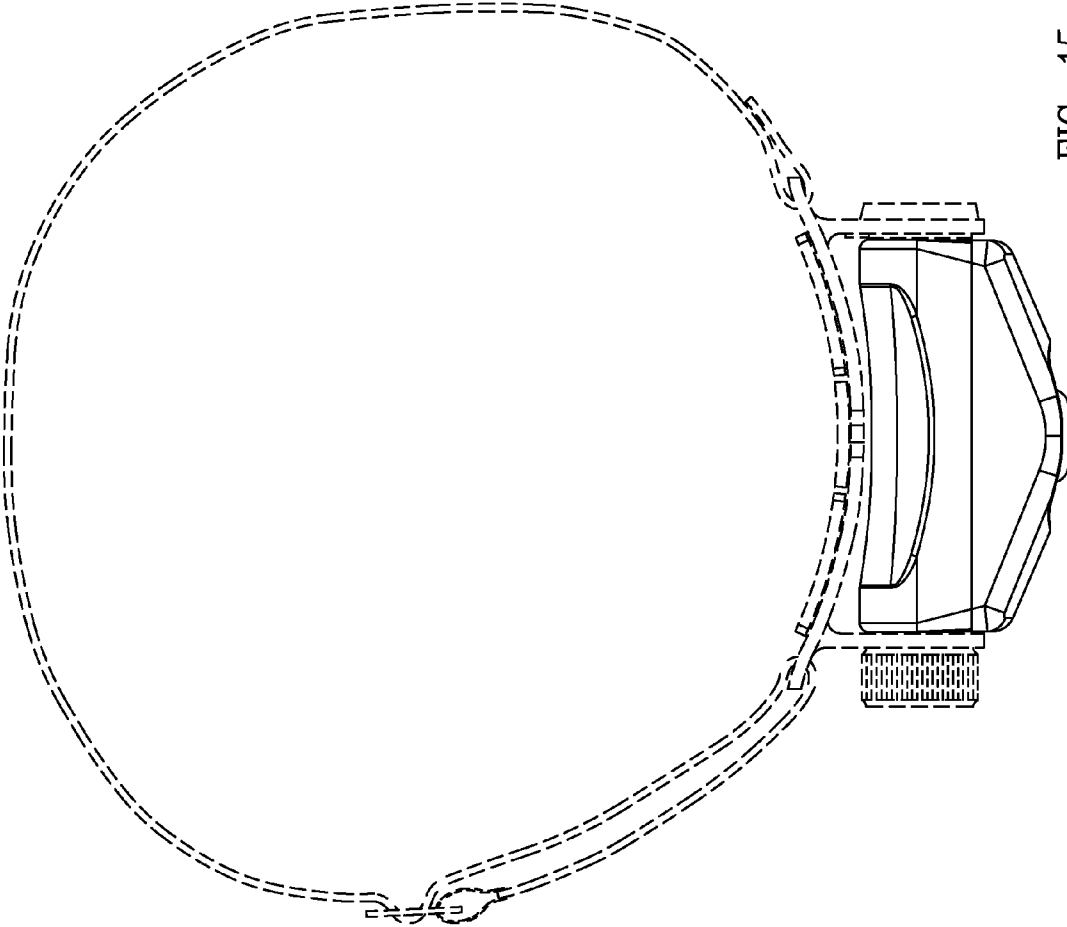


FIG. 15

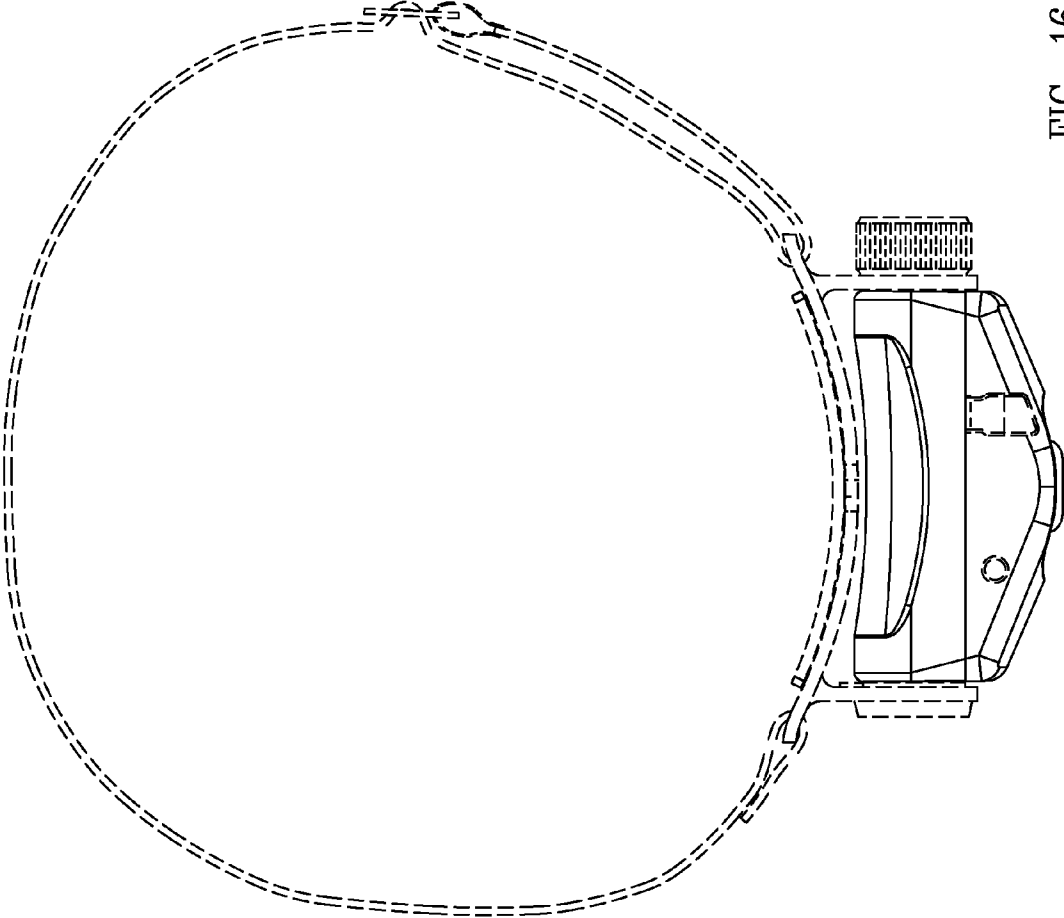


FIG. 16