



US00D836465S

(12) **United States Design Patent**  
**Register et al.**

(10) **Patent No.:** **US D836,465 S**

(45) **Date of Patent:** **\*\* Dec. 25, 2018**

- (54) **WATCH WITH DISPLAY**
- (71) Applicant: **Garmin Switzerland GmbH**,  
Schaffhausen (CH)
- (72) Inventors: **Todd P. Register**, Olathe, KS (US);  
**Camille J. Jean**, Overland Park, KS  
(US); **Kent J. S. Codilla**, Kansas City,  
MO (US); **Seth R. Powers**, Kansas  
City, KS (US); **Dustin L. Kelsey**,  
Bonnor Spring, KS (US)
- (73) Assignee: **Garmin Switzerland GmbH** (CH)
- (\*\*) Term: **15 Years**
- (21) Appl. No.: **29/626,408**
- (22) Filed: **Nov. 16, 2017**

3,740,944 A	6/1973	Chopard .....	368/281
3,901,023 A	8/1975	Uebelhardt .....	368/281
D317,265 S	6/1991	Giolla et al. ....	D10/39
5,226,023 A	7/1993	Grimm .....	368/223
D417,158 S	11/1999	Krauss .....	D10/30
D459,241 S	6/2002	Bodino .....	D10/32
D471,115 S	3/2003	Buechner .....	D10/39
6,577,558 B1	6/2003	Ricci .....	368/228
D504,624 S	5/2005	Bodino .....	D10/39
D538,182 S	3/2007	Lalo .....	D10/32
D573,486 S	7/2008	Sanz .....	D10/38
D585,310 S	1/2009	Allison .....	D10/39

(Continued)

**OTHER PUBLICATIONS**

Garmin Forerunner 405, published Jan. 2008.  
(Continued)

*Primary Examiner* — Sheryl Lane  
*Assistant Examiner* — Calvin E Vansant  
(74) *Attorney, Agent, or Firm* — Samuel M. Korte; Max  
M. Ali

**Related U.S. Application Data**

(63) Continuation of application No. 29/587,871, filed on  
Dec. 15, 2016.

(51) **LOC (11) Cl.** ..... **10-02**

(52) **U.S. Cl.**  
USPC ..... **D10/30**

(58) **Field of Classification Search**  
USPC ..... D10/1-39, 65, 70, 122-132  
CPC ..... G04B 17/00; G04B 17/02; G04B 17/005;  
G04B 17/285; G04B 37/00; G04B 37/00;  
G04B 37/0058; G04B 45/00; G04B  
45/02; G04B 45/038; G04B 45/0069;  
G04B 45/0076; G04B 29/00; G04B  
19/268

See application file for complete search history.

**References Cited**

**U.S. PATENT DOCUMENTS**

D222,784 S	12/1971	Granges .....	D10/39
3,733,809 A	5/1973	Reiter et al. ....	368/232

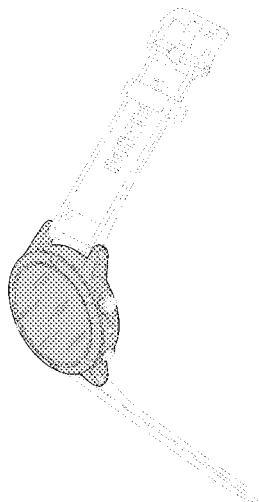
(57) **CLAIM**

The ornamental design for a watch with display, as shown  
and described.

**DESCRIPTION**

FIG. 1 is a front perspective view of a watch with display  
according to the present invention;  
FIG. 2 is a rear perspective view of the watch with display;  
FIG. 3 is a top view of the watch with display;  
FIG. 4 is a front view of the watch with display;  
FIG. 5 is a bottom view of the watch with display;  
FIG. 6 is a rear view of the watch with display;  
FIG. 7 is a left side view of the watch with display; and,  
FIG. 8 is a right side view of the watch with display.  
The broken lines shown in FIGS. 1 through 8 represent  
portions of the watch with display that form no part of the  
claimed design.

**1 Claim, 4 Drawing Sheets**



(56)

**References Cited**

## U.S. PATENT DOCUMENTS

D592,975 S	5/2009	Markl .....	D10/32
D607,346 S	1/2010	Bove et al. ....	D10/38
D610,922 S	2/2010	Lammers-Meis et al. ....	10/32
D633,812 S	3/2011	Yurman .....	D10/32
D658,079 S	4/2012	Emch .....	D10/38
D658,518 S	5/2012	Behling .....	D10/39
D659,554 S *	5/2012	Yurman .....	D10/32
D660,727 S	5/2012	Parmigiani .....	D10/38
D661,206 S	6/2012	Register et al. ....	D10/38
D664,865 S	8/2012	Luk Ying Yee .....	D10/38
D682,712 S	5/2013	Lammers-Meis et al. ....	D10/38
D684,486 S *	6/2013	Messmer .....	D10/39
D708,073 S *	7/2014	Parmigiani .....	D10/38
D742,761 S *	11/2015	Grazian .....	D10/30
D748,998 S *	2/2016	Meylan .....	D10/30
D756,240 S	5/2016	Register et al. ....	10/30
D769,134 S *	10/2016	Schwamkrug .....	D10/38
D772,081 S *	11/2016	Lee .....	D10/30
D789,808 S *	6/2017	Kimura .....	D10/30

## OTHER PUBLICATIONS

Garmin Forerunner 610, published Mar. 2011.

Printout from <http://consumer.huawei.com/en/wearables/huawei-watch/index.htm> published prior to Dec. 15, 2016.

Printout from <http://www.chrono24.com/hublot/formula-1-king-power-fl-ceramic-limited-sealed--id1818204.htm> published prior to Dec. 15, 2016.

Printout from <http://www.computerworld.com/article/2643100/moto-360-review-an-elegant-smartwatch-with-exceptional-features.html> published prior to May 8, 2015.

Printout from <http://www.cookoo2.com/>, published prior to May 21, 2015.

Printout from <http://www.lindewerdelin.com/products/watches/spidolite> published prior to May 21, 2012.

Printout from <http://www.suunto.com/en-US/Product-search/See-all-Sports-Watches/?sortBy=New&searchTerm=traverse&page=0> published prior to Dec. 15, 2016.

Printout from <http://www.tagheuer.com/int-en/luxury-watches/carrera/carrera-calibre-heuer-01-chronograph-titanium-43mm-grey-others-bracelet> published prior to Aug. 15, 2016.

Printout from <http://tagheuer.com/int-en/luxury-watches/carrera/carrera-calibre-1887automatic-chronograph43-mm-black-steel-bracelet-car2a10-ba0799>, published prior to Aug. 15, 2016.

Printout from <http://www.t-touch.com/en-en/#!/t-touch-expert-solar> published prior to Dec. 15, 2016.

Printout from <https://www.amazon.com/Welder-K28-7100-Chronograph-Ion-Plated-Stainless/dp/B001PRFJOY> published prior to Dec. 15, 2016.

Printout from <https://www.audemarspiguet.com/en/watch-collection/royal-oak-offshore/> published prior to Dec. 15, 2016.

Printout from [http://www.bloomingdales.com/shop/product/g-shock-g-steel-53.8mm?ID=2725010&pla\\_country=US&cm\\_mmc=Google-PLA-ADC--Jewelry%20%26%20Accessories-NA--G-shock--889232168203USA&CAWELAID=120156070005934945&CAGSPN=pla&CAAGID=47635648719&CATCI=pla-383074889643&CATARGETID=120156070006241384&cadevice=c&gclid=EAlalQobChMlyMbEIL3B1w1Vvk6DsCh3QDwNMEAQY-ASABEqJNgvD\\_BwE](http://www.bloomingdales.com/shop/product/g-shock-g-steel-53.8mm?ID=2725010&pla_country=US&cm_mmc=Google-PLA-ADC--Jewelry%20%26%20Accessories-NA--G-shock--889232168203USA&CAWELAID=120156070005934945&CAGSPN=pla&CAAGID=47635648719&CATCI=pla-383074889643&CATARGETID=120156070006241384&cadevice=c&gclid=EAlalQobChMlyMbEIL3B1w1Vvk6DsCh3QDwNMEAQY-ASABEqJNgvD_BwE), published prior to Dec. 15, 2016.

Printout from [www.dcrainmaker.com/2012/04/suunto-ambit-din-depth-review.html](http://www.dcrainmaker.com/2012/04/suunto-ambit-din-depth-review.html) published prior to Sep. 29, 2015.

Printout from [www.suunto.com/en-US/Products/Sports-Watches/Suunto-Ambit2/Suunto-Ambit2-Black/](http://www.suunto.com/en-US/Products/Sports-Watches/Suunto-Ambit2/Suunto-Ambit2-Black/) published prior to Sep. 29, 2015.

Printout from [www.theaaronloy.com/wp-content/uploads/2013/07/Casio-MT-G-G-Shock-Watch.jpg](http://www.theaaronloy.com/wp-content/uploads/2013/07/Casio-MT-G-G-Shock-Watch.jpg) published prior to Sep. 29, 2015.

Printout from [www.watchtowhat.com/wp-content/uploads/2015/03/casio-edifice-8.jpg](http://www.watchtowhat.com/wp-content/uploads/2015/03/casio-edifice-8.jpg) published prior to Sep. 29, 2015.

Suunto Core, published prior to May 21, 2012.

Suunto Elementum, published prior to May 21, 2012.

Suunto X10, published prior to May 21, 2012.

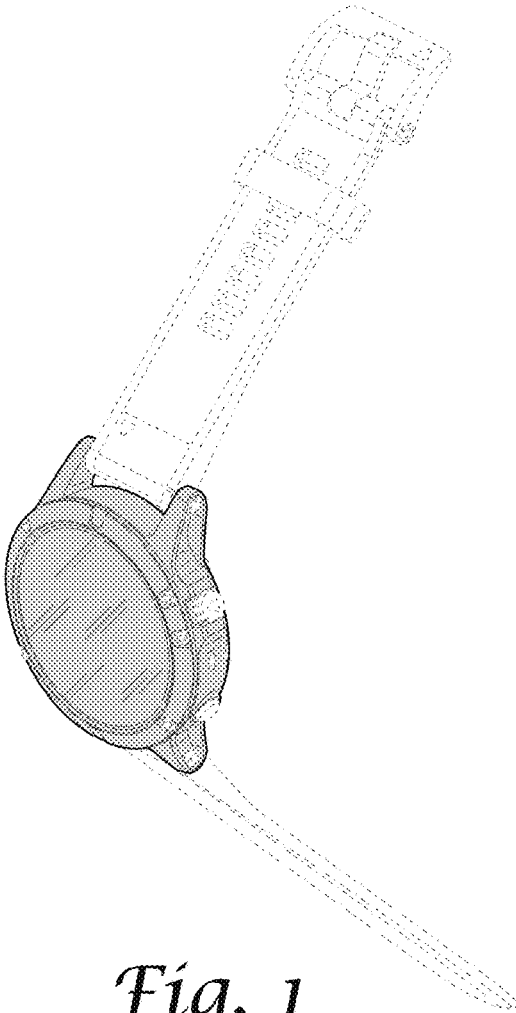
Timex eCompass, published prior to May 21, 2012.

Tissot Touch Around, published prior to May 21, 2012.

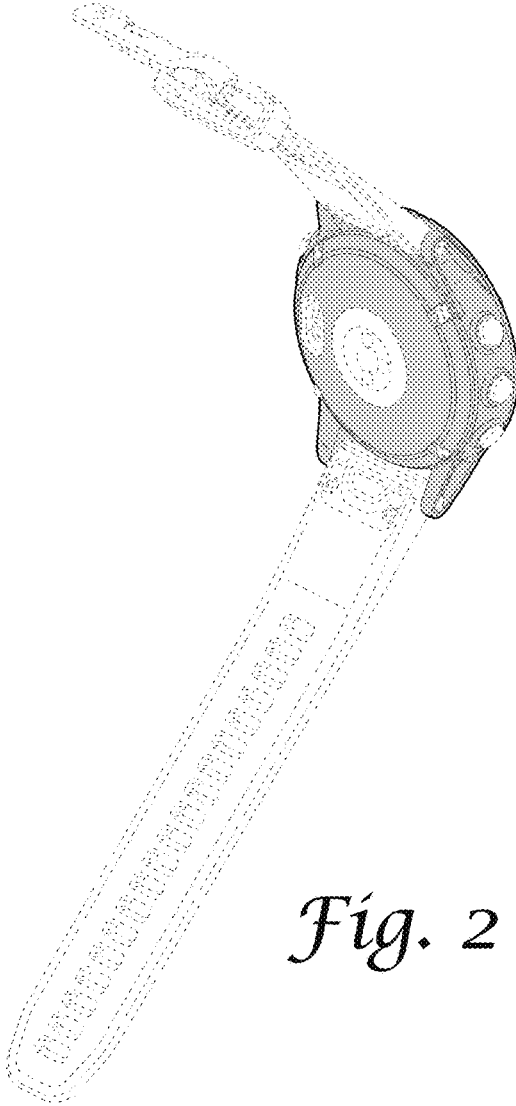
Printout from <https://www.amazon.com/Salvatore-Ferragamo-F55LGQ6877-S113-Carbon/dp/B007O20FO6> published prior to Dec. 15, 2016.

Printout from [http://www.ralphlauren.fr/category/index.jsp?categoryId=53519341&ab=fr\\_FR\\_Watches\\_LP\\_Slot\\_5\\_S1](http://www.ralphlauren.fr/category/index.jsp?categoryId=53519341&ab=fr_FR_Watches_LP_Slot_5_S1) published prior to Dec. 15, 2016.

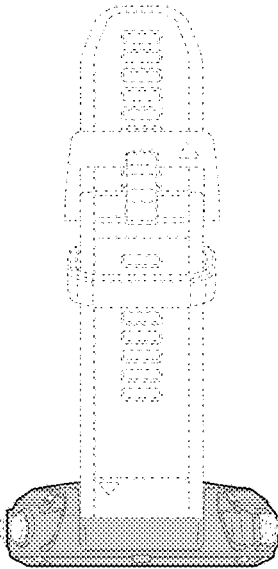
\* cited by examiner



*Fig. 1*

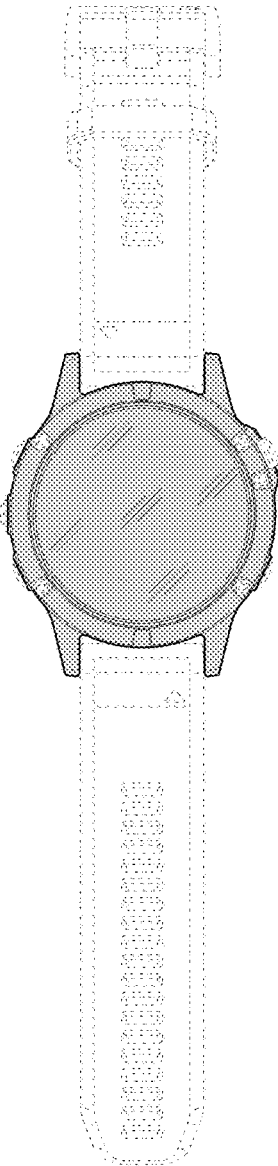


*Fig. 2*

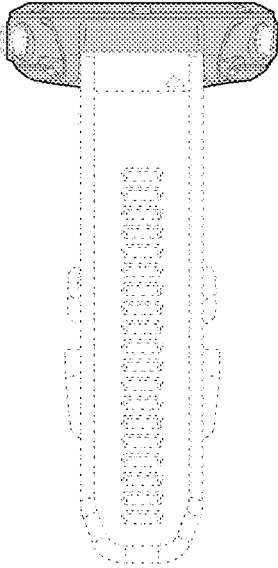


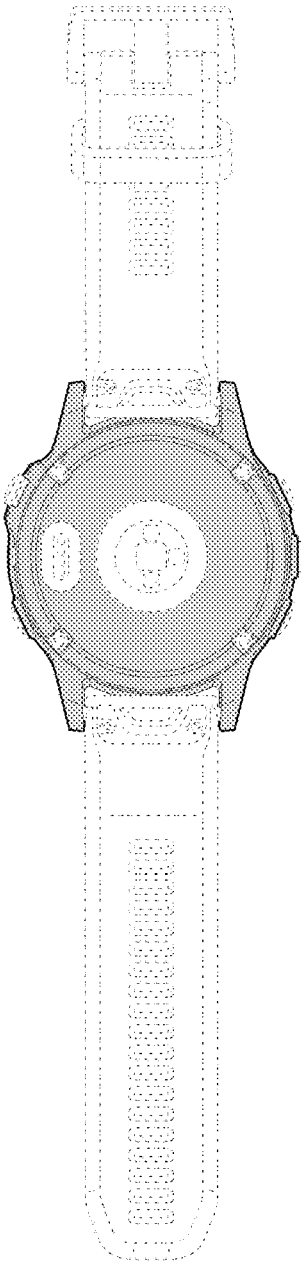
*Fig. 3*

*Fig. 4*

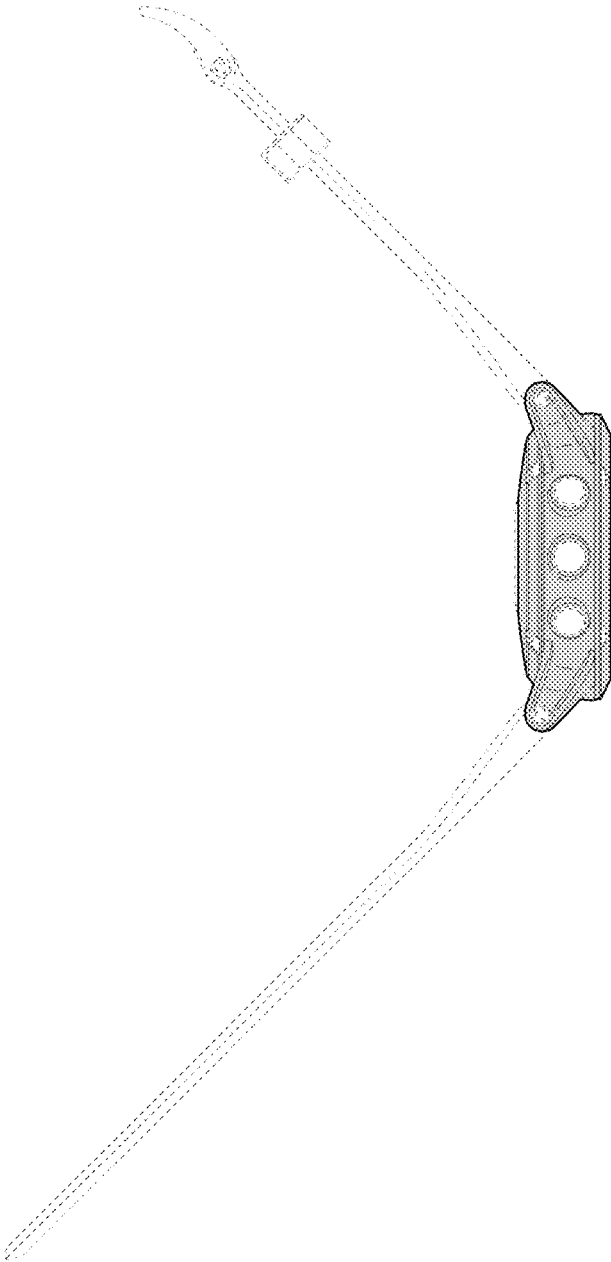


*Fig. 5*

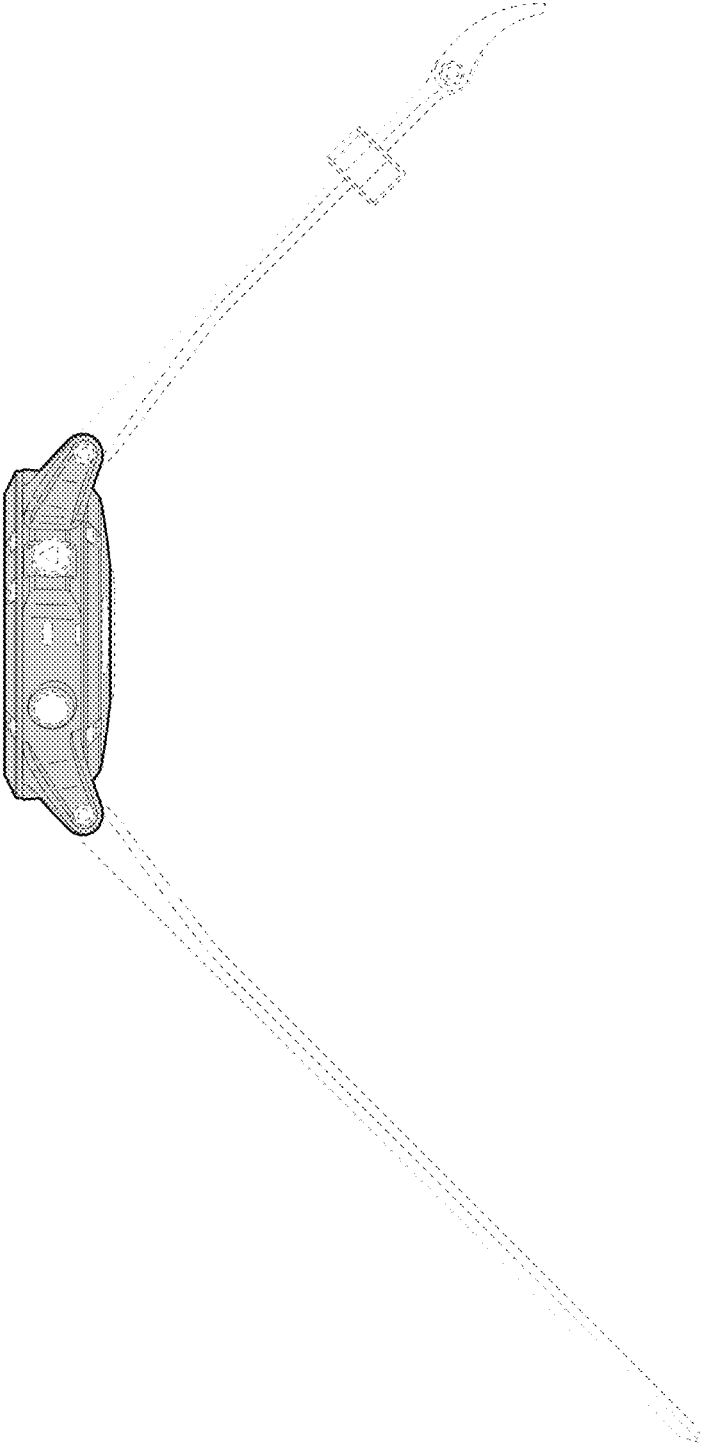




*Fig. 6*



*Fig. 7*



*Fig. 8*