

# United States Patent [19]

Meyers

[11] Patent Number: **Des. 303,756**

[45] Date of Patent: **\*\* Oct. 3, 1989**

[54] **DOOR STOP**

[75] Inventor: **Kenneth A. Meyers, Reedsburg, Wis.**

[73] Assignee: **Gerber Products Company, Fremont, Mich.**

[\*\*] Term: **14 Years**

[21] Appl. No.: **269,946**

[22] Filed: **Nov. 10, 1988**

[52] U.S. Cl. .... **D8/402**

[58] Field of Search ..... **D8/402; 292/262, 288; 16/82, 85, 86 R, 86 A, 86 B**

[56] **References Cited**

**U.S. PATENT DOCUMENTS**

|           |        |          |         |
|-----------|--------|----------|---------|
| 2,172,610 | 9/1939 | Frank    | 292/288 |
| 2,565,906 | 8/1951 | Berthene | 292/288 |
| 2,988,390 | 6/1961 | Kramer   | 292/288 |

|           |         |            |         |
|-----------|---------|------------|---------|
| 3,428,349 | 2/1969  | Shelton    | 292/288 |
| 3,620,483 | 11/1971 | Weinberger | 292/262 |
| 3,758,141 | 9/1973  | Weinberger | 16/82   |

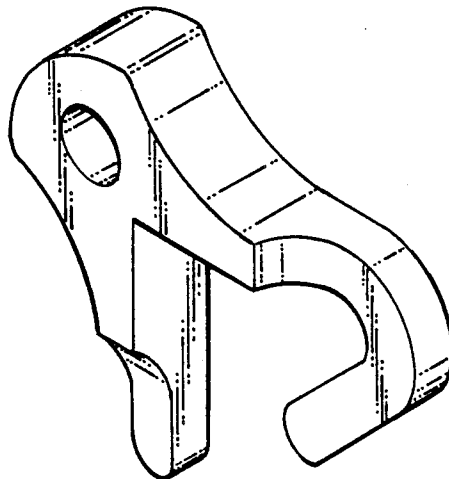
*Primary Examiner*—B. J. Bullock  
*Attorney, Agent, or Firm*—Price, Heneveld, Cooper, DeWitt & Litton

[57] **CLAIM**

The ornamental design for a door stop, as shown and described.

**DESCRIPTION**

FIG. 1 is a perspective view of a door stop showing my new design;  
FIG. 2 is a top plan view;  
FIG. 3 is a front elevational view;  
FIG. 4 is a right side elevational view;  
FIG. 5 is a rear elevational view;  
FIG. 6 is a left side elevational view; and  
FIG. 7 is a bottom plan view thereof.



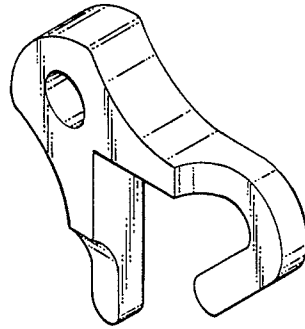


FIG.\_1.



FIG.\_2.

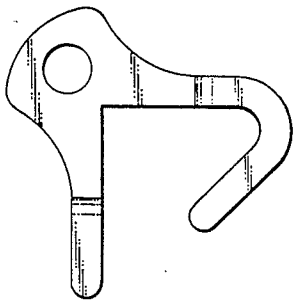


FIG.\_3.

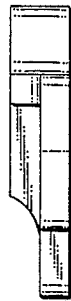


FIG.\_4.

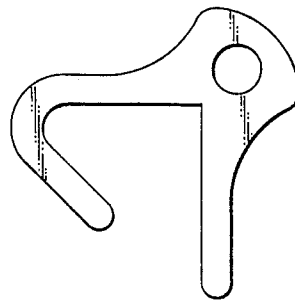


FIG.\_5.



FIG.\_6.



FIG.\_7.