



US00D531525S

(12) **United States Design Patent**  
**Dold et al.**

(10) **Patent No.:** **US D531,525 S**

(45) **Date of Patent:** **\*\* Nov. 7, 2006**

(54) **OPTOELECTRONIC SENSOR**

(75) Inventors: **Michael Dold**, Emmendingen (DE);  
**Stefan Mack**, Freiburg (DE); **Ralph Rapp**, Endingen (DE); **Christoph Angenendt**, Freiburg (DE); **Juergen Roselt**, Hamburg (DE); **Olaf Pilzner**, Hamburg (DE); **Jan Dzuber**, Hamburg (DE); **Heinz Broehan**, Hamburg (DE); **Guido Neuenfeldt**, Negerboetel (DE); **Arno Hagemann**, Hamburg (DE); **Gerd Oppermann**, Hamburg (DE); **Fried Gorris**, Trittau (DE); **Thiemo Roessle**, Teningen (DE)

(73) Assignee: **Sick AG**, Waldkirch (DE)

(\*\*) Term: **14 Years**

(21) Appl. No.: **29/227,842**

(22) Filed: **Apr. 15, 2005**

(30) **Foreign Application Priority Data**

Nov. 2, 2004 (EM) ..... 000247994

(51) **LOC (8) Cl.** ..... **10-04**

(52) **U.S. Cl.** ..... **D10/46**

(58) **Field of Classification Search** ..... D10/46;  
250/214 R, 221, 222.1, 277.25; 257/81, 432-433

See application file for complete search history.

(56) **References Cited**

U.S. PATENT DOCUMENTS

2004/0188598 A1 \* 9/2004 Kawai ..... 250/222.2  
2005/0023445 A1 \* 2/2005 Horn et al. .... 250/214 R  
2005/0092901 A1 \* 5/2005 Hagen et al. .... 250/227.25  
2005/0127377 A1 \* 6/2005 Arndt et al. .... 257/81

\* cited by examiner

*Primary Examiner*—Antoine D. Davis  
(74) *Attorney, Agent, or Firm*—Townsend and Townsend and Crew LLP

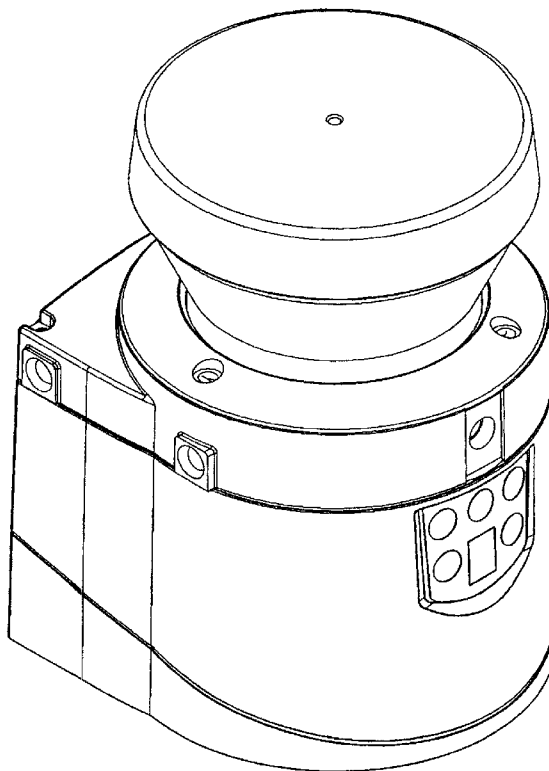
(57) **CLAIM**

The ornamental design for an optoelectronic sensor, as shown and described.

**DESCRIPTION**

FIG. 1 is a front perspective view of a first embodiment of our optoelectronic sensor design;  
FIG. 2 is a front elevational view thereof;  
FIG. 3 is a rear elevational view thereof;  
FIG. 4 is a plan view thereof;  
FIG. 5 is a bottom view thereof;  
FIG. 6 is a left side elevational view thereof; and,  
FIG. 7 is a right side elevational view thereof.

**1 Claim, 7 Drawing Sheets**



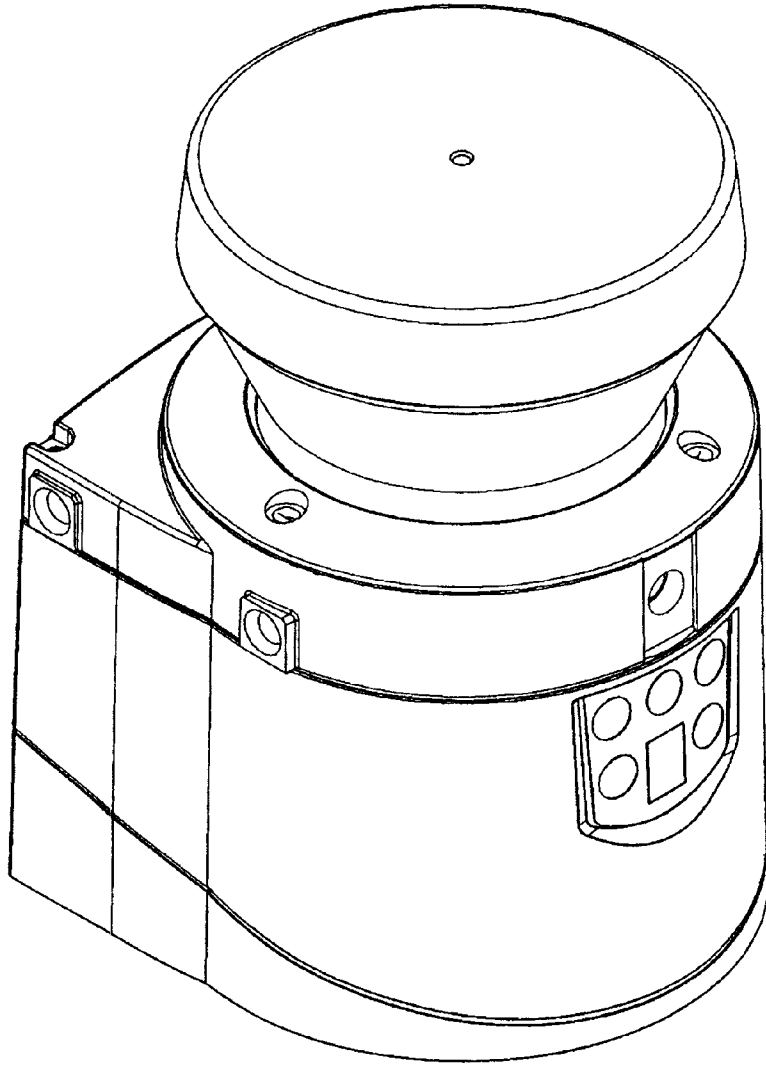


FIG. 1

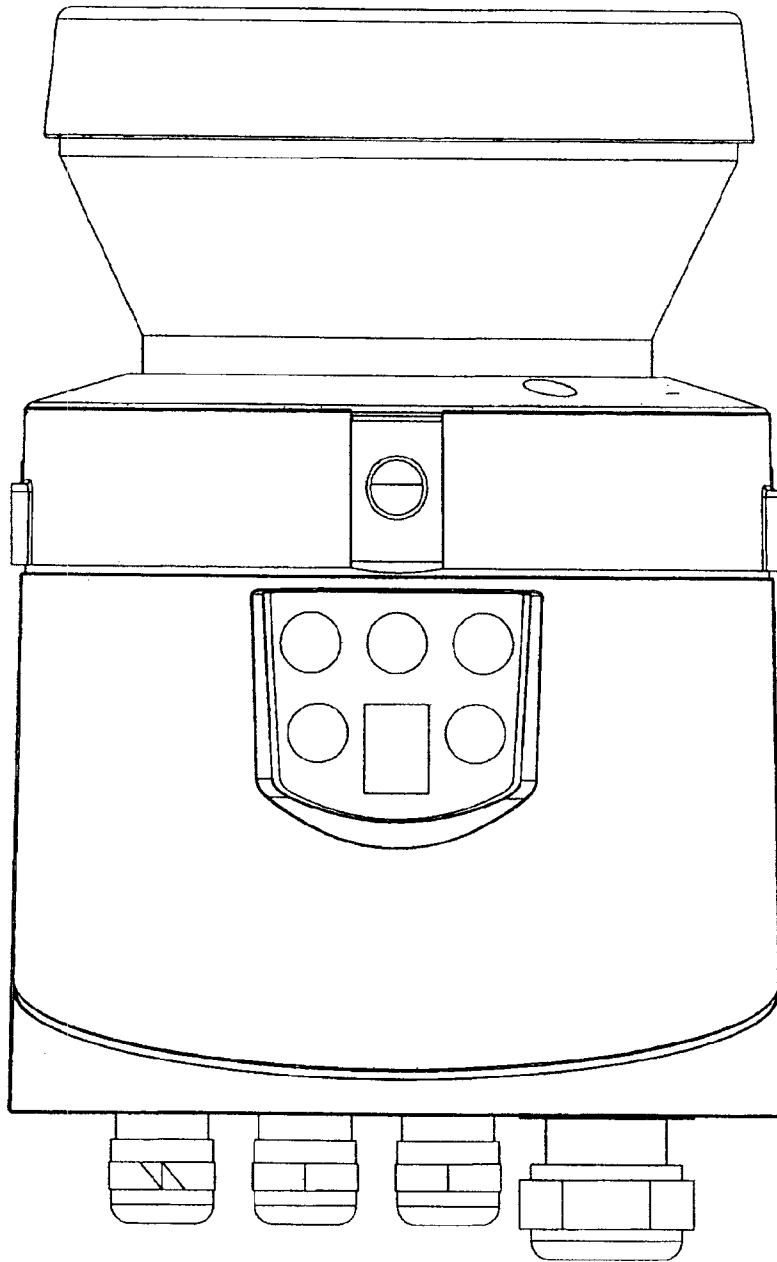


FIG. 2

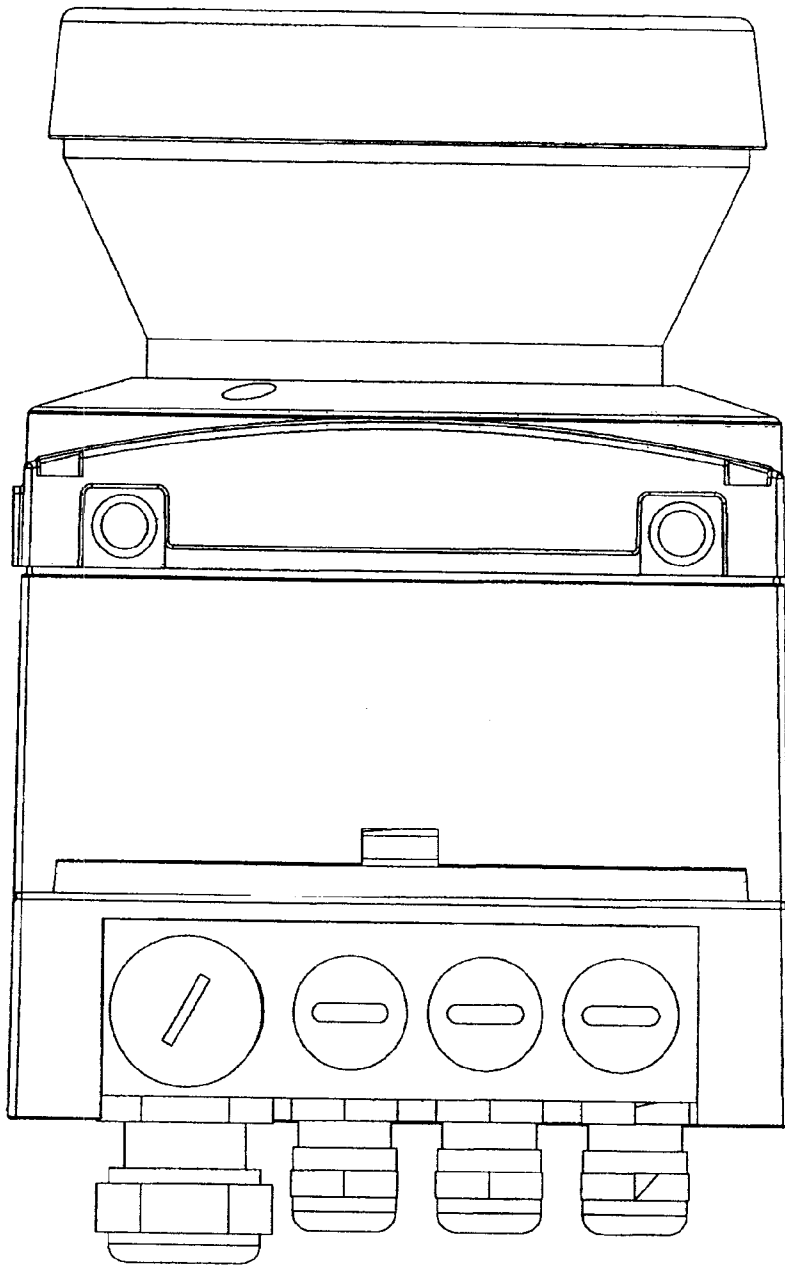


FIG. 3

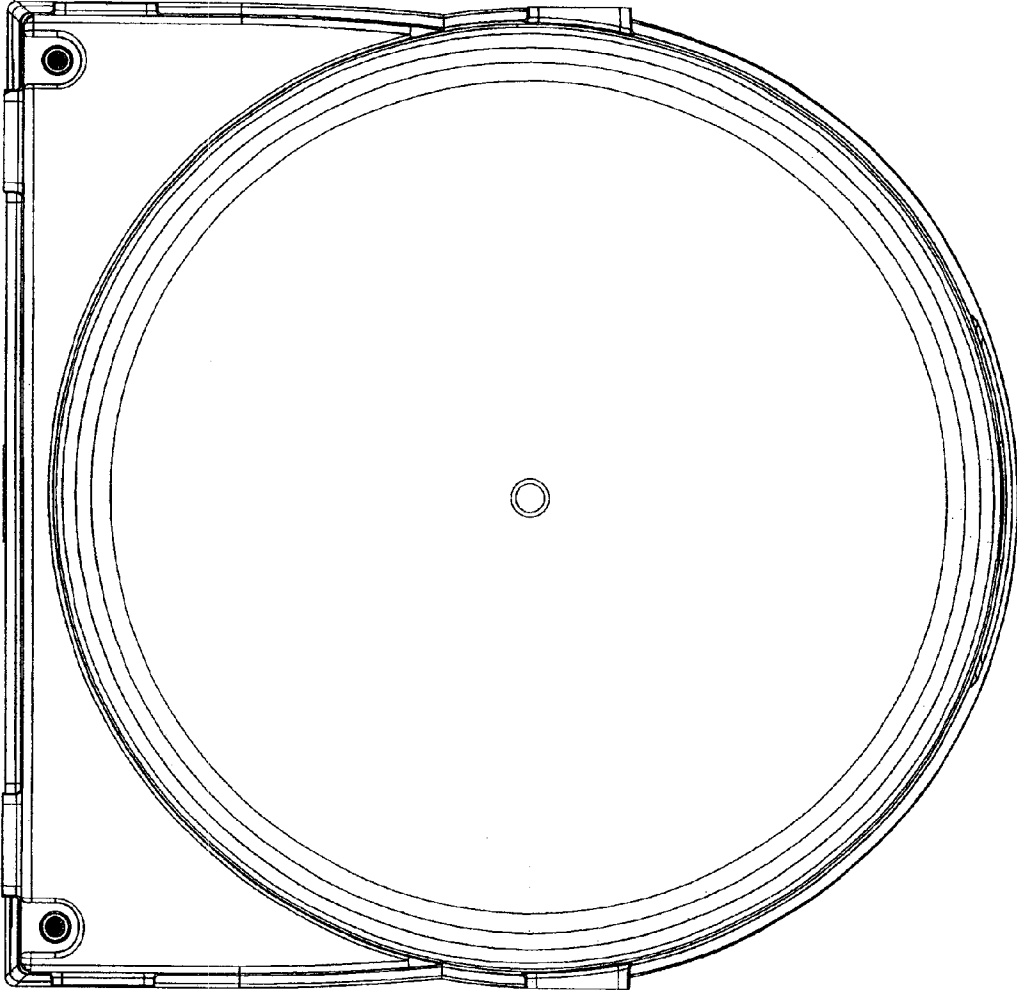


FIG. 4

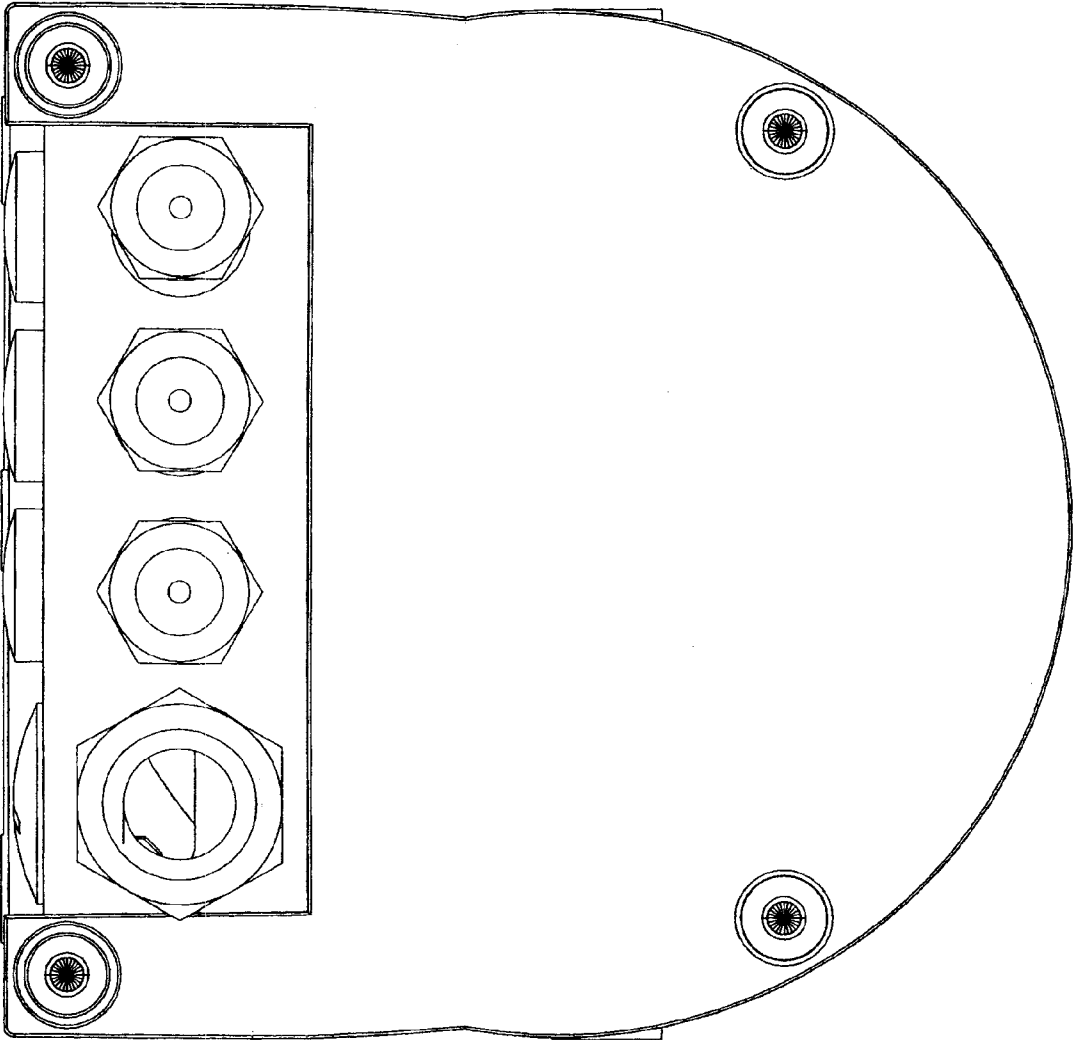


FIG. 5

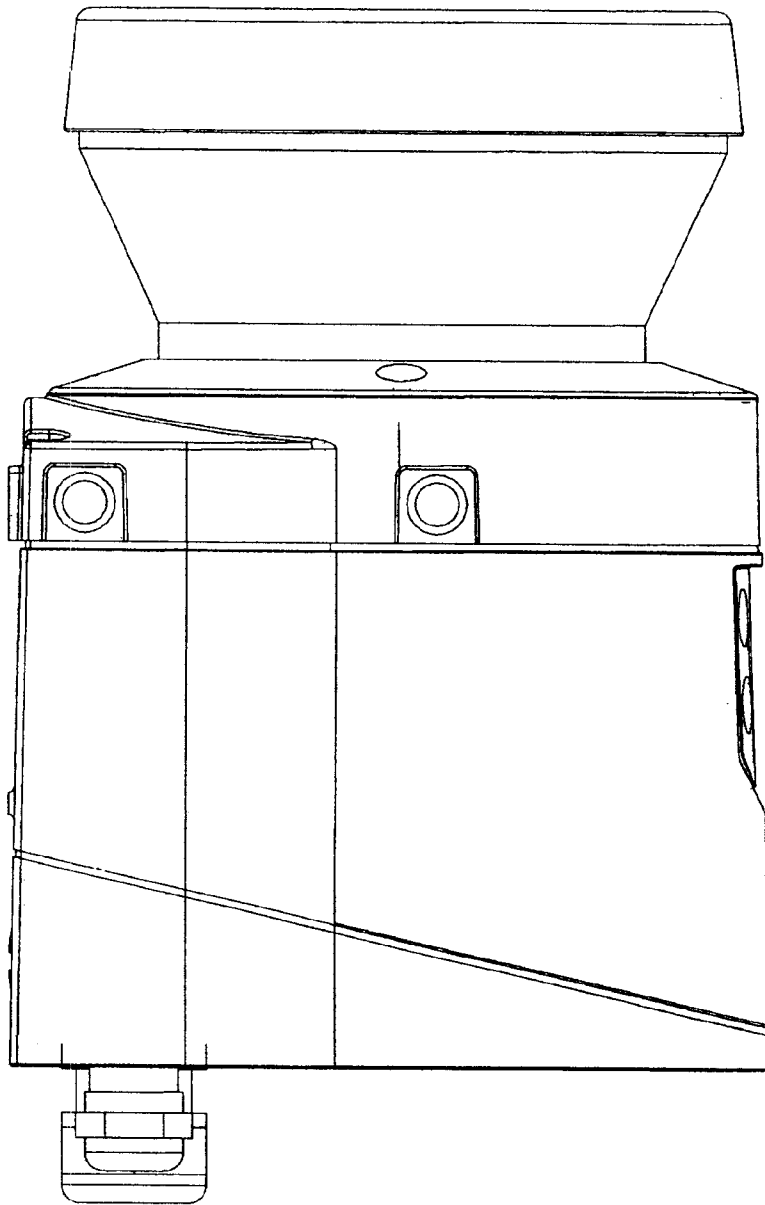


FIG. 6

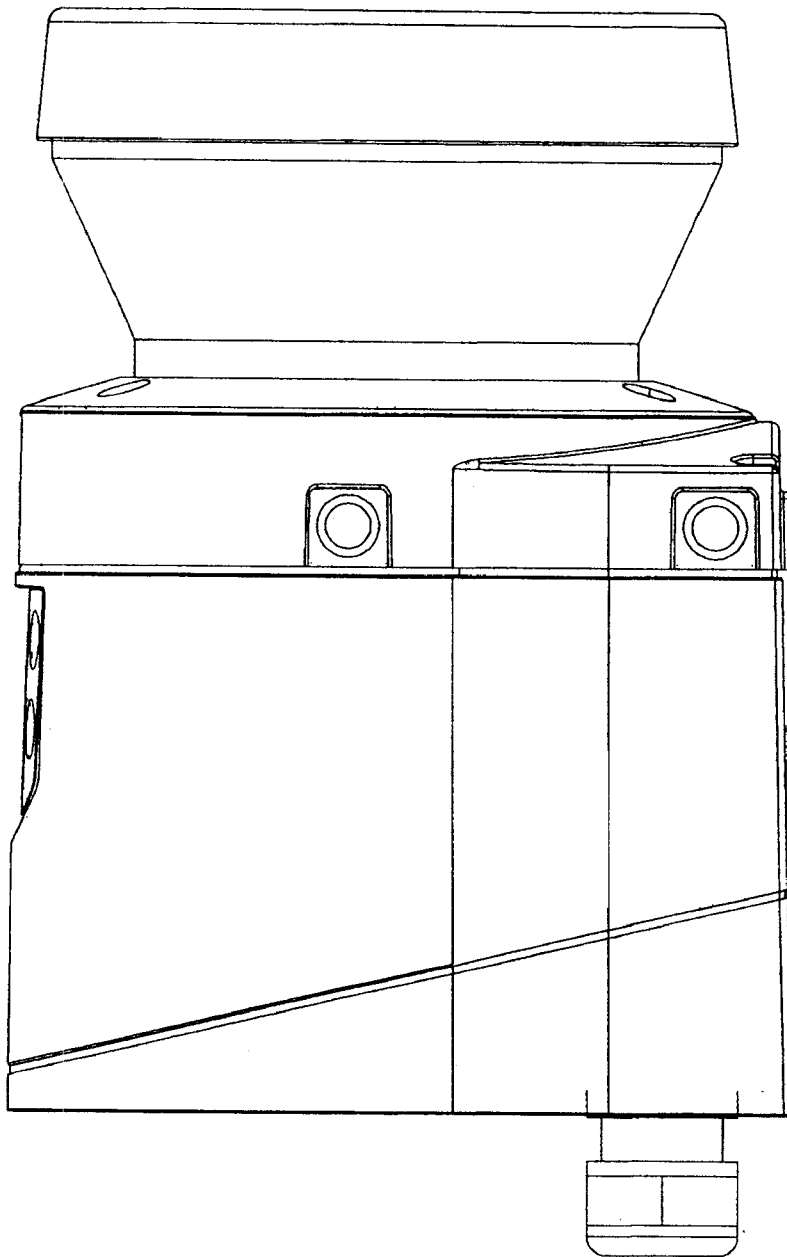


FIG. 7