



US00D910219S

(12) **United States Design Patent**  
**Frost**

(10) **Patent No.:** **US D910,219 S**

(45) **Date of Patent:** **\*\* Feb. 9, 2021**

(54) **WALL LIGHT**

(71) Applicant: **Christopher Frost**, Colchester (GB)

(72) Inventor: **Christopher Frost**, Colchester (GB)

(\*\*) Term: **15 Years**

(21) Appl. No.: **29/707,099**

(22) Filed: **Sep. 26, 2019**

(51) **LOC (13) Cl.** ..... **26-03**

(52) **U.S. Cl.**  
USPC ..... **D26/63**

(58) **Field of Classification Search**

USPC ..... D26/1, 24, 61, 63, 65, 85, 92, 118  
CPC ..... F21V 21/14; F21V 15/01; F21V 14/02;  
F21V 21/30; F21V 21/00; F21V 14/00;  
F21S 8/00; F21S 8/003; F21S 8/043;  
F21Y 2105/001

See application file for complete search history.

(56) **References Cited**

**U.S. PATENT DOCUMENTS**

D242,945 S \* 1/1977 Moore ..... D26/65  
6,786,622 B1 \* 9/2004 Rice ..... B60Q 1/245  
362/271

D849,297 S \* 5/2019 Deng ..... D26/63  
D855,231 S \* 7/2019 Huang ..... D26/63  
D882,142 S \* 4/2020 Huang ..... D26/63  
D900,372 S \* 10/2020 Peng ..... D26/63

\* cited by examiner

*Primary Examiner* — Brian N. Vinson

(57) **CLAIM**

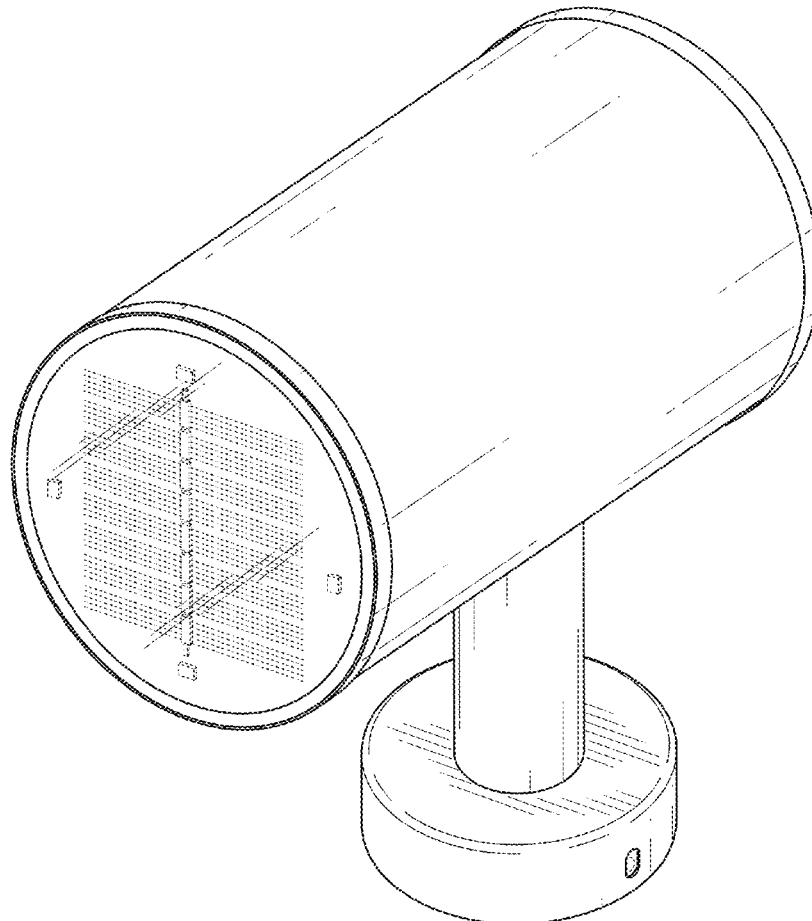
The ornamental design for a wall light, as shown and described.

**DESCRIPTION**

FIG. 1 is a front perspective view of a wall light illustrating my new design;  
FIG. 2 is a left side view thereof;  
FIG. 3 is a right side view thereof;  
FIG. 4 is a front view thereof;  
FIG. 5 is a rear view thereof;  
FIG. 6 is a top view thereof; and,  
FIG. 7 is a bottom view thereof.

The broken lines shown in the drawings are for the purposes of illustrating environment and form no part of the claimed design.

**1 Claim, 6 Drawing Sheets**



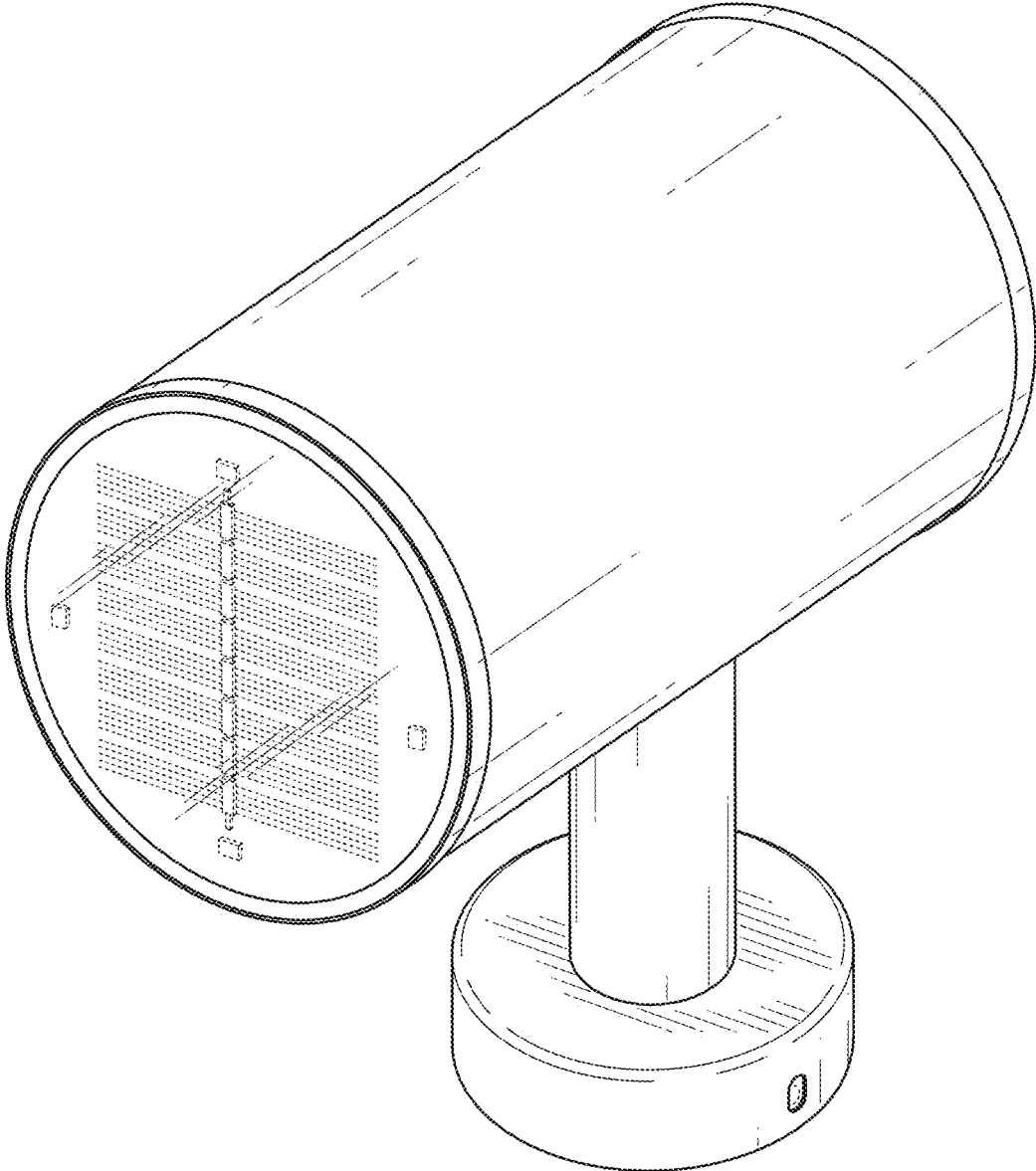


FIG. 1

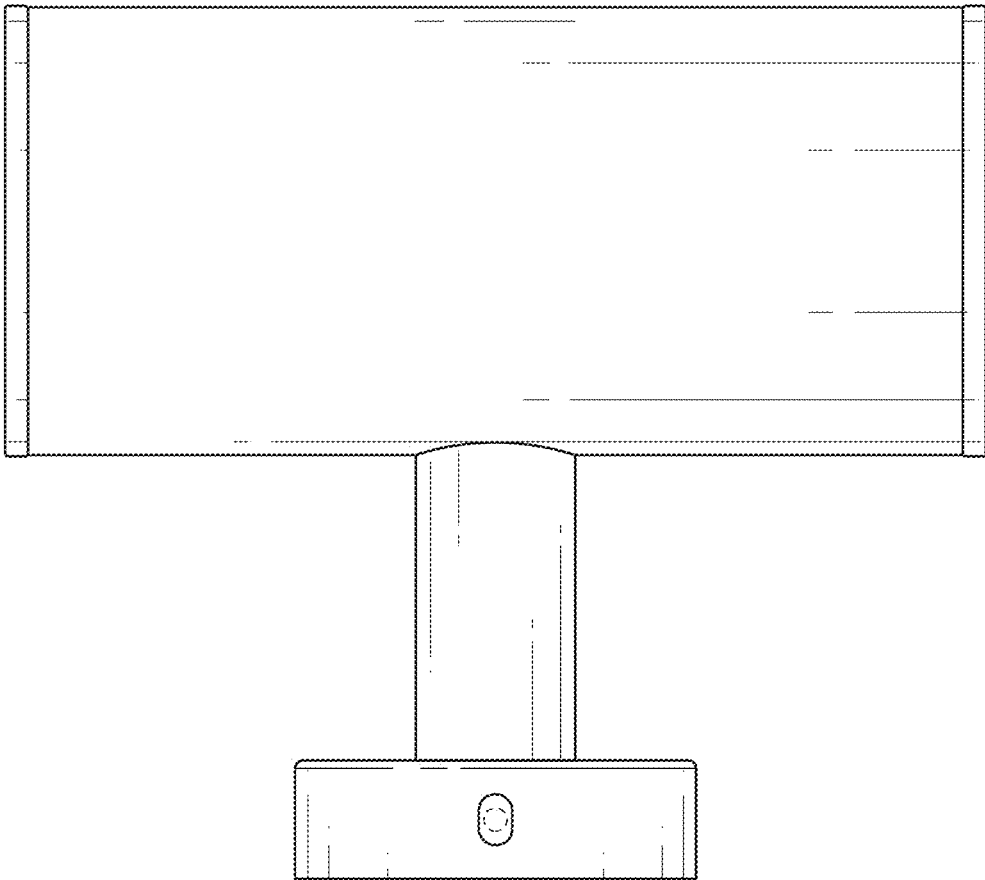


FIG. 2

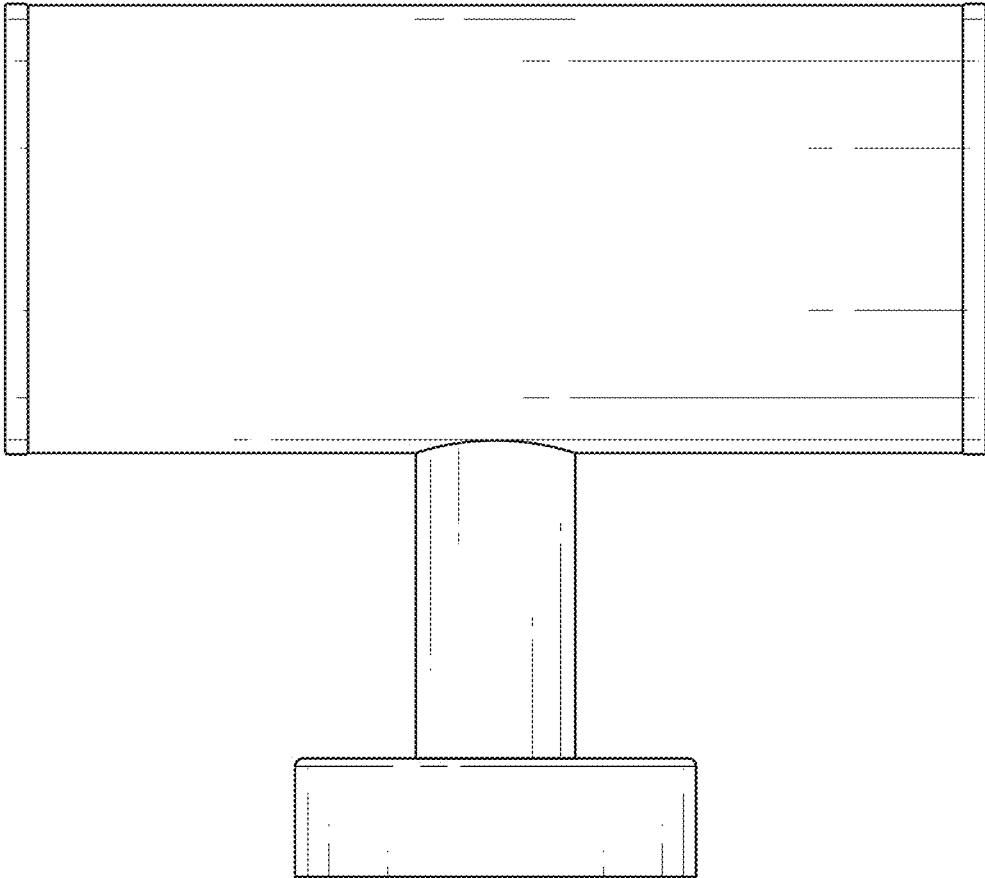


FIG. 3

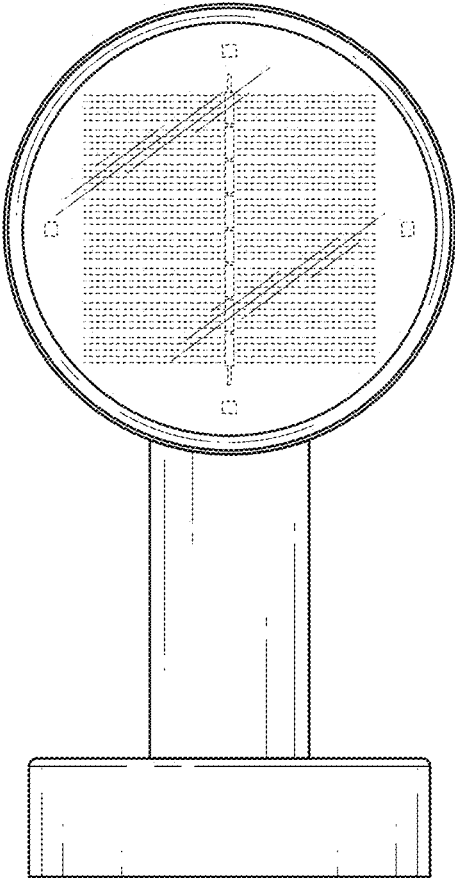


FIG. 4

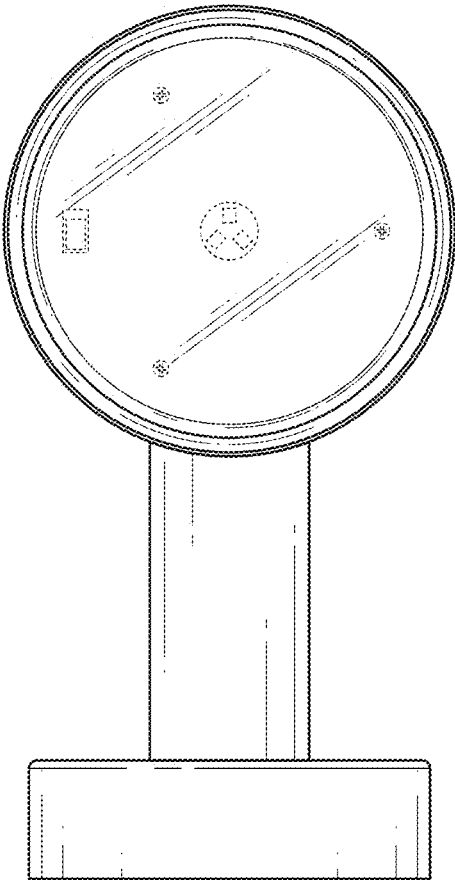


FIG. 5

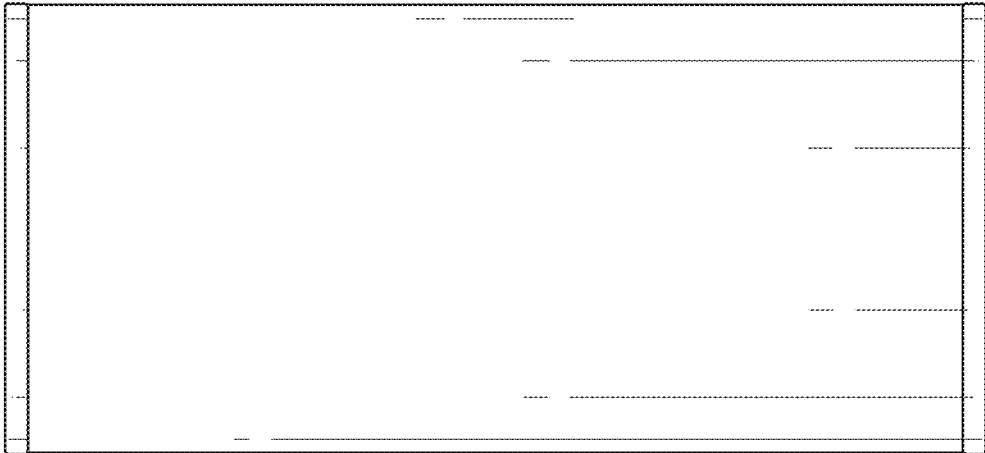


FIG. 6

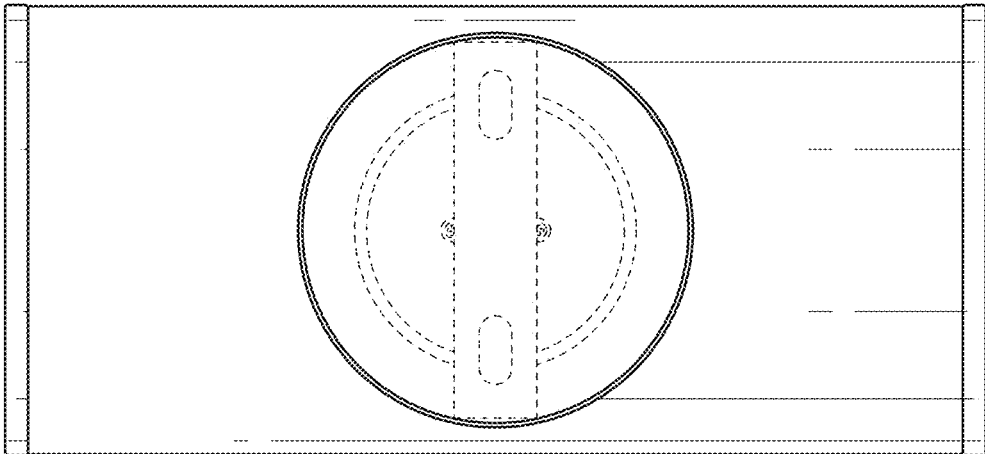


FIG. 7