



(12) **United States Design Patent**
Schuster et al.

(10) **Patent No.:** **US D910,593 S**
(45) **Date of Patent:** **** Feb. 16, 2021**

- (54) **HEADPHONES**
- (71) Applicant: **AUSTRIAN AUDIO GmbH**, Vienna (AT)
- (72) Inventors: **Philipp Schuster**, Vienna (AT);
Berthold Pavitsch, Müllendorf (AT)
- (73) Assignee: **Austrian Audio GmbH**, Vienna (AT)
- (**) Term: **15 Years**
- (21) Appl. No.: **29/704,751**
- (22) Filed: **Sep. 6, 2019**

D333,137 S *	2/1993	Burke	D14/206
D345,981 S *	4/1994	Burke	D14/206
D353,818 S *	12/1994	Nakamura	D14/205
D358,390 S *	5/1995	Hayashi	D14/205
D409,197 S *	5/1999	Nakamura	D14/205
D410,466 S *	6/1999	Mouri	D14/205
D420,356 S *	2/2000	Suzuki	D14/205
D431,550 S *	10/2000	Yoneda	D14/205
D457,512 S *	5/2002	Yoneda	D14/205
D484,485 S *	12/2003	Matsuoka	D14/205
6,654,966 B2 *	12/2003	Rolla	H04R 1/1066 2/209
D491,163 S *	6/2004	Green	D14/205
D514,087 S *	1/2006	Wilson	D14/206
6,993,143 B2 *	1/2006	Harris	H04R 1/1066 381/374
7,072,483 B2 *	7/2006	Lenhard-Backhaus	H04R 1/1066 381/370

(30) **Foreign Application Priority Data**

Mar. 8, 2019 (EP) 006293817-0001

- (51) **LOC (13) CL.** **14-01**
- (52) **U.S. CL.**
USPC **D14/205**

- (58) **Field of Classification Search**
USPC D14/205, 206, 188, 192; D29/112;
2/209; 381/380, 381, 374; 455/90.3,
455/575.1, 569.1
CPC H04R 25/00; H04R 1/1066; H04R 1/1016;
H04R 5/033; H04R 5/0335; H04R
1/1091; H04R 1/1058
See application file for complete search history.

(56) **References Cited**

U.S. PATENT DOCUMENTS

D229,833 S *	1/1974	Becker	D14/205
D246,519 S *	11/1977	Kato	D14/205
D254,616 S *	4/1980	Tabata	D14/205
D255,352 S *	6/1980	Besasie	D14/205
D301,145 S *	5/1989	Besasie	D14/205
4,829,571 A *	5/1989	Kakiuchi	H04R 1/1033 381/309
5,138,722 A *	8/1992	Urella	A61F 11/14 2/209

(Continued)

Primary Examiner — Paula Allen Greene

(74) *Attorney, Agent, or Firm* — Dascenzo Gates
Intellectual Property Law, P.C.

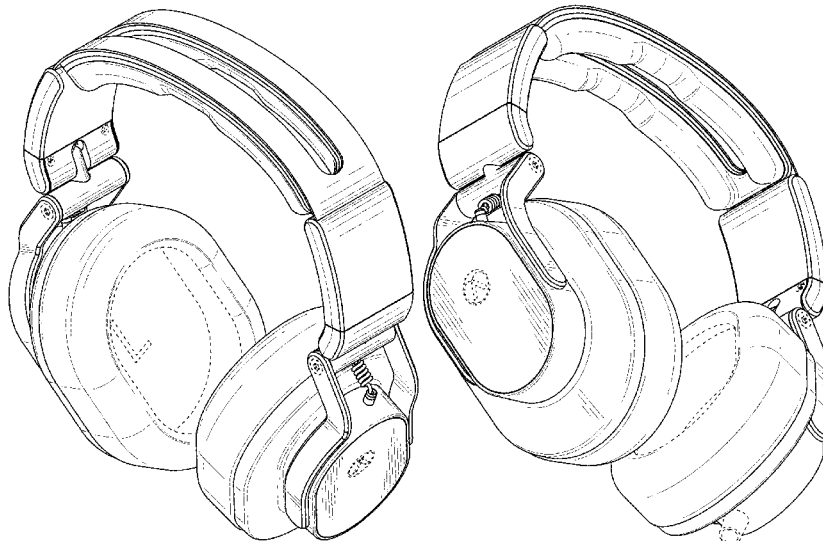
(57) **CLAIM**

The ornamental design for headphones, as shown and described.

DESCRIPTION

FIG. 1 is a top rear perspective view of headphones showing the new design;
 FIG. 2 is bottom front perspective view thereof;
 FIG. 3 is a rear view thereof;
 FIG. 4 is a front view thereof;
 FIG. 5 is a left side view thereof;
 FIG. 6 is a right side view thereof;
 FIG. 7 is a top view thereof; and,
 FIG. 8 is a bottom view thereof.
 The broken lines shown in the drawings illustrate portions of the headphones that form no part of the claimed design.

1 Claim, 6 Drawing Sheets



(56)

References Cited

U.S. PATENT DOCUMENTS

D538,261 S *	3/2007	Taylor	D14/205	D729,194 S *	5/2015	Boeckel	D14/205
D573,581 S *	7/2008	Gondo	D14/205	9,036,849 B2 *	5/2015	Thompson	H04R 1/083
D581,394 S *	11/2008	Lee	D14/205					381/375
D585,871 S *	2/2009	Lee	D14/205	D739,842 S *	9/2015	Birger	D14/205
D585,872 S *	2/2009	Lee	D14/205	D765,056 S *	8/2016	Yang	D14/205
D592,639 S *	5/2009	Kuh	D14/205	D768,110 S *	10/2016	Suzuki	D14/205
D600,674 S *	9/2009	Brennwald	D14/205	D787,470 S *	5/2017	Kelly	D14/205
D617,770 S *	6/2010	Sanguinetti	D14/205	D808,361 S *	1/2018	Sumii	D14/205
D641,727 S *	7/2011	Krauss	D14/206	D843,348 S *	3/2019	Burgess	D14/206
D662,080 S *	6/2012	Carr	D14/205	D852,163 S *	6/2019	Nagamine	D14/205
D665,775 S *	8/2012	Katsumata	D14/205	D894,151 S *	8/2020	Nagamine	D14/205
D672,745 S *	12/2012	Abed	D14/205	2001/0017925 A1 *	8/2001	Ceravolo	H04M 1/05
D684,140 S *	6/2013	Enquist	D14/205					381/370
8,755,555 B2 *	6/2014	Dougherty	H04R 1/1066	2006/0104471 A1 *	5/2006	Tsunoda	H04R 1/2803
				381/378					381/374
D708,164 S *	7/2014	Ishikura	D14/205	2008/0069391 A1 *	3/2008	Steyn	H04R 1/1083
8,767,996 B1 *	7/2014	Lin	G06F 3/165					381/371
				381/380	2009/0238397 A1 *	9/2009	Reiss	H04R 1/1083
D716,762 S *	11/2014	Greve	D14/206					381/375
D719,136 S *	12/2014	Schaal	D14/206	2014/0056459 A1 *	2/2014	Oishi	H04R 1/10
									381/370
					2017/0019728 A1 *	1/2017	Cochran	H04R 1/1091

* cited by examiner



FIG. 1



FIG. 2



FIG. 3



FIG. 4

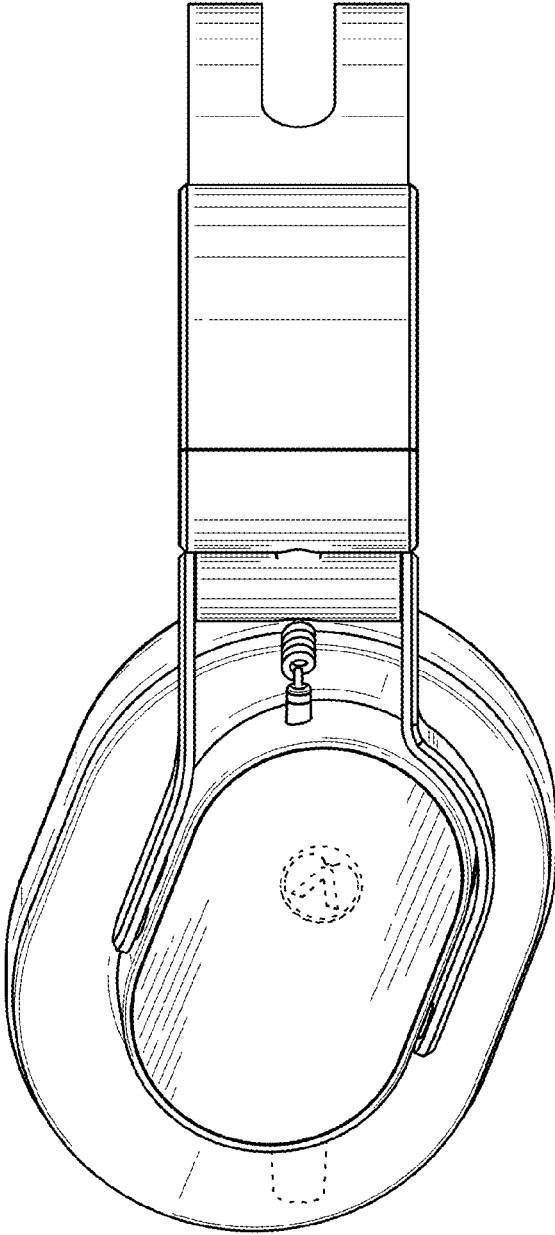


FIG. 5

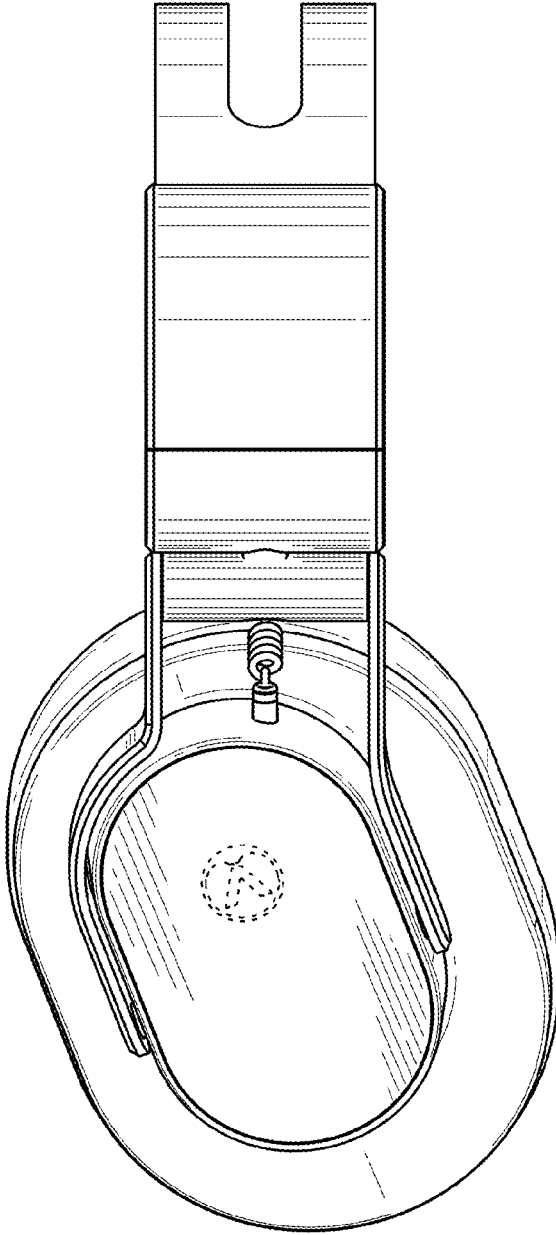


FIG. 6

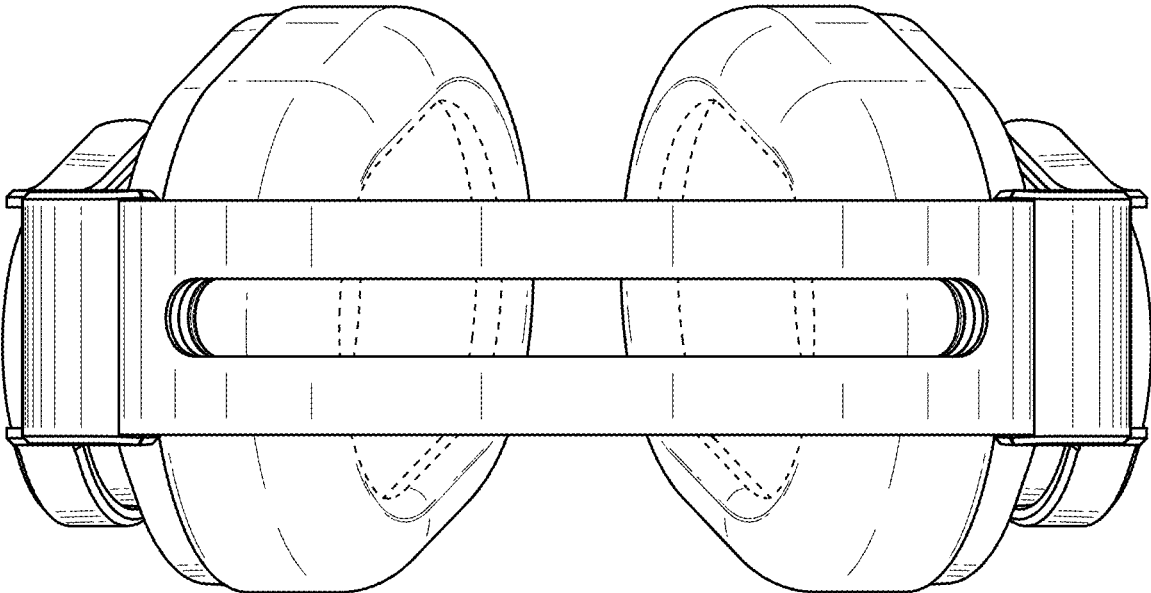


FIG. 7

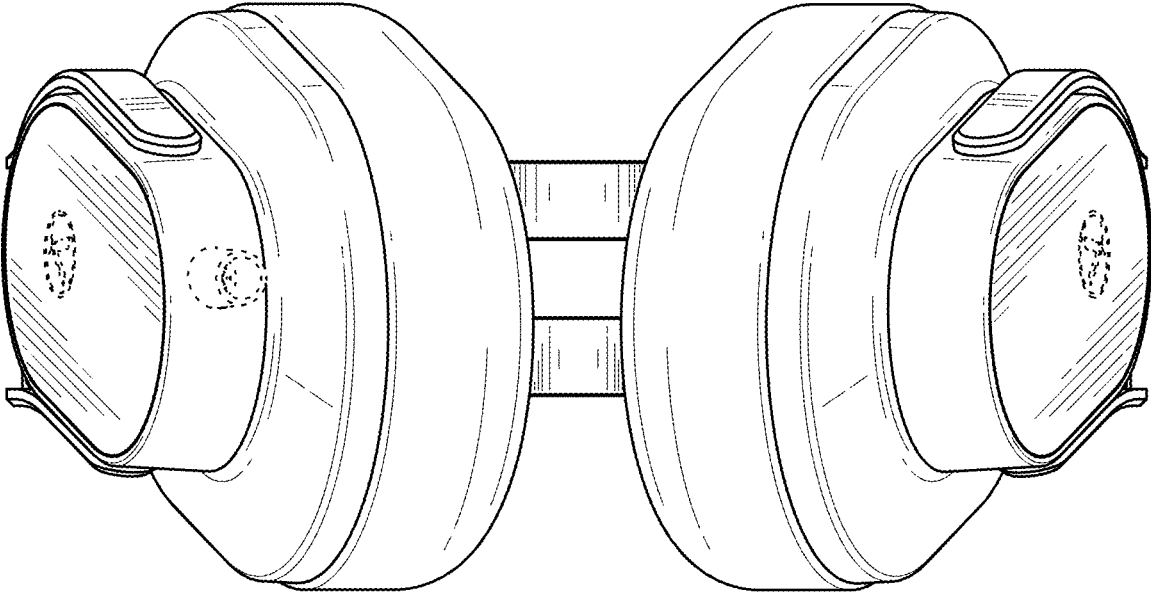


FIG. 8