



US00D507968S

(12) **United States Design Patent** (10) **Patent No.:** **US D507,968 S**
Dixon et al. (45) **Date of Patent:** **** Aug. 2, 2005**

(54) **FOOD CONTAINER ASSEMBLY** 3,833,143 A 9/1974 Starkermann et al.
4,113,098 A 9/1978 Howard
(75) Inventors: **Keith Antonio Dixon**, Flanders, NJ 4,126,224 A 11/1978 Laauwe et al.
(US); **Allen McDowell**, South Yorkshire 4,295,565 A 10/1981 Takeuchi
(GB) 4,301,917 A 11/1981 Ansell
4,691,456 A 9/1987 Ackeret
(73) Assignee: **Kraft Foods Holdings, Inc.**, Northfield, 4,898,195 A 2/1990 Sussman
IL (US) 5,038,932 A 8/1991 Sheu
5,080,222 A * 1/1992 McNary 206/1.5
(**) Term: **14 Years** 5,275,291 A * 1/1994 Sledge 206/531

(Continued)

(21) Appl. No.: **29/201,429**

FOREIGN PATENT DOCUMENTS

(22) Filed: **Mar. 15, 2004**

(51) **LOC (8) Cl.** **09-07**

(52) **U.S. Cl.** **D9/422; D9/424**

(58) **Field of Search** D9/420-424, 414,
D9/730; D3/201, 298, 901, 905; 220/345.2,
23.2, 345.3, 351, 354.4, 253, 8, 811, 812;
206/216, 538, 539, 540, 828, 581, 541;
D7/602, 629; 221/307-310

EP 0232 674 B1 12/1986
JP 2000-272622 10/2000
WO WO 02/06135 A1 1/2002
WO WO 03/097483 A2 11/2003
WO WO 03/106283 A1 12/2003

OTHER PUBLICATIONS

Product Sample, Lip Lickers, "Pink Bubble Gum Lip Balm," ©1987, Fragrance Marketing Group, Minnetonka, Minnesota 55343 USA, four images.

(56) **References Cited**

U.S. PATENT DOCUMENTS

161,225 A 3/1875 Hall
476,353 A 6/1892 Allred
806,985 A 12/1905 Mallory
828,151 A 8/1906 Upjohn
1,451,279 A 4/1923 Strietelmeier
1,658,496 A 2/1928 Qvarnstrom
1,958,101 A * 5/1934 Duell 221/246
1,988,134 A * 1/1935 Nitardy 206/534.1
2,064,241 A 12/1936 Batdorf
2,083,356 A 6/1937 Batdorf
2,093,508 A 9/1937 Batdorf
2,102,508 A 12/1937 Romig
2,295,747 A 9/1942 Mills
2,463,586 A 3/1949 Anderson
D161,225 S 12/1950 Westrate
2,534,100 A 12/1950 Baumgartner
3,362,564 A 1/1968 Mueller
3,421,658 A 1/1969 Cooksey
3,567,071 A 3/1971 Benson
3,610,466 A 10/1971 Raybois

Primary Examiner—Prabhakar Deshmukh
(74) *Attorney, Agent, or Firm*—Fitch, Even, Tabin & Flannery

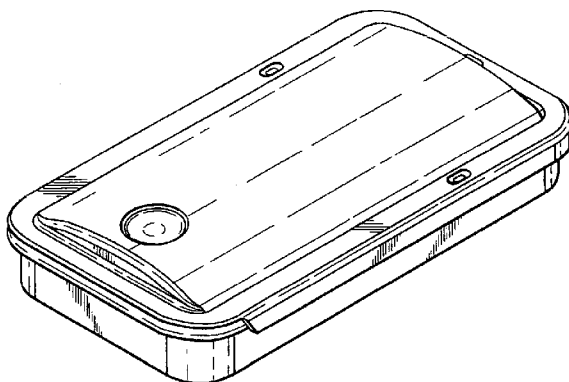
(57) **CLAIM**

The ornamental design for a food container assembly, as shown and described.

DESCRIPTION

FIG. 1 is a perspective view of a food container assembly showing the new design;
FIG. 2 is top plan view thereof;
FIG. 3 is a bottom plan view thereof;
FIG. 4 is a side elevational view thereof, the opposite side elevational view being the same;
FIG. 5 is an end view thereof; and,
FIG. 6 is an opposite end view thereof.

1 Claim, 3 Drawing Sheets



US D507,968 S

Page 2

U.S. PATENT DOCUMENTS

5,285,897	A	*	2/1994	Ozaki	206/387.12			
D352,895	S		11/1994	Loo				
D371,723	S		7/1996	Hirao				
D373,725	S	*	9/1996	Weil	D9/422			
D390,781	S	*	2/1998	Neusy	D9/422			
5,878,887	A		3/1999	Parker et al.				
D407,972	S		4/1999	Hilton				
D422,460	S		4/2000	Haner et al.				
D423,301	S		4/2000	Haner et al.				
D423,302	S		4/2000	Haner et al.				
D432,911	S		10/2000	Clarke et al.				
D433,940	S		11/2000	Lindsay et al.				
D446,718	S		8/2001	Anderson				
D465,729	S		11/2002	Nishimura				
D469,607	S		2/2003	Wolf				
D479,462	S	*	9/2003	Chan	D9/422			
6,637,431	B2	*	10/2003	Ekelius et al.	128/203.15			
D484,409	S		12/2003	Haggerty et al.				
D485,749	S		1/2004	Zaksenberg et al.				
6,672,471	B2		1/2004	Cross				
D498,139	S	*	11/2004	Haggerty et al.	D9/417			
2002/0139802	A1		10/2002	Cross				

* cited by examiner

Fig. 1

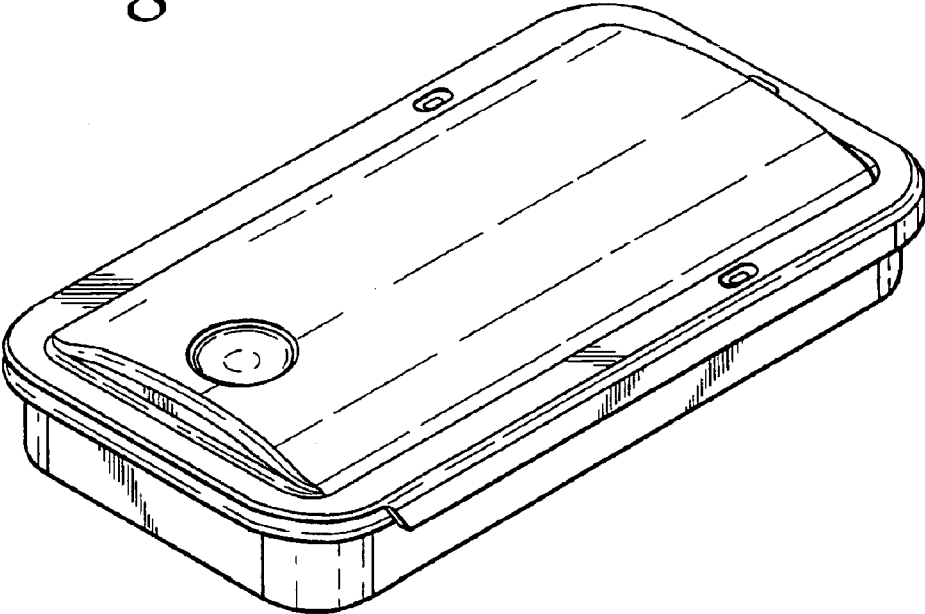


Fig. 2

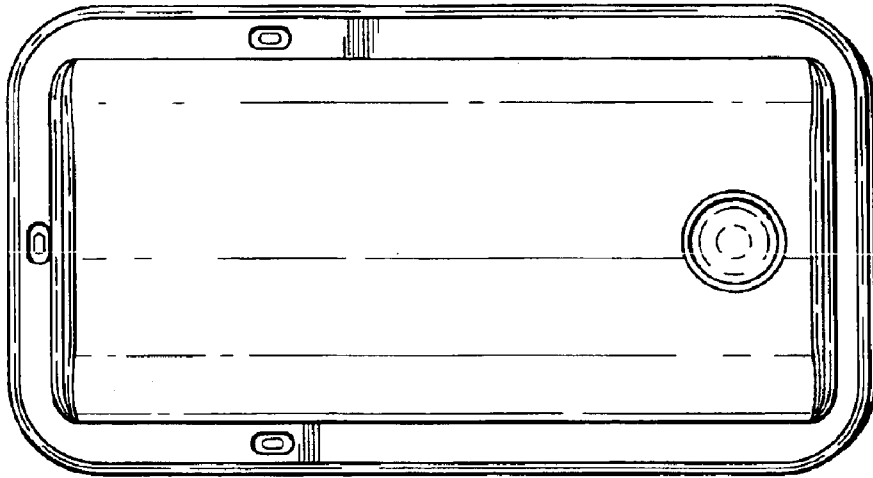


Fig. 3

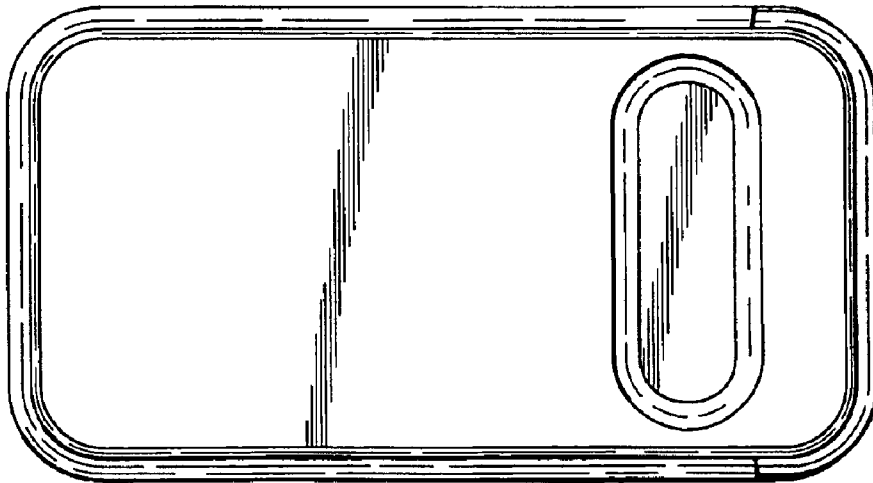


Fig. 4

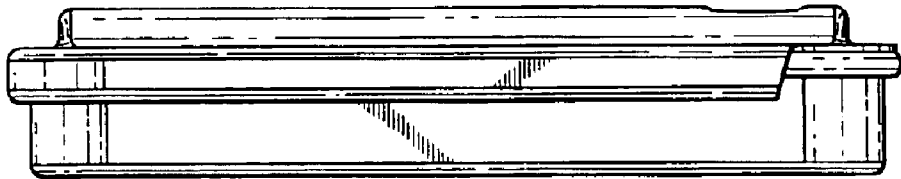


Fig. 5



Fig. 6

