



US00D750239S

(12) **United States Design Patent**  
**Pappalardo**

(10) **Patent No.:** **US D750,239 S**

(45) **Date of Patent:** **\*\* Feb. 23, 2016**

(54) **ADAPTER COLLAR FOR A SYRINGE**

(71) Applicant: **Nordson Corporation**, Westlake, OH  
(US)

(72) Inventor: **Matthew E. Pappalardo**, Ewing, NJ  
(US)

(73) Assignee: **Nordson Corporation**, Westlake, OH  
(US)

(\*\*) Term: **14 Years**

(21) Appl. No.: **29/471,389**

(22) Filed: **Oct. 31, 2013**

(51) **LOC (10) Cl.** ..... **24-01**

(52) **U.S. Cl.**

USPC ..... **D24/130**

(58) **Field of Classification Search**

USPC ..... D24/127-131, 112-114, 133, 186;  
606/181, 185; 604/264, 272, 115, 232,  
604/187, 158, 164.08, 192, 263, 163, 181,  
604/184, 198, 227; 600/101, 139, 143;  
128/200.24, 207.14, 207.15

CPC ..... F16L 17/08; B25B 13/463; B60R 22/24;  
F42B 6/08

See application file for complete search history.

(56) **References Cited**

**U.S. PATENT DOCUMENTS**

D165,591 S *	1/1952	Lee	.....	D24/112
D314,622 S *	2/1991	Andersson et al.	.....	D24/112
D326,155 S *	5/1992	Boehringer et al.	.....	D24/129
5,462,533 A *	10/1995	Daugherty	.....	604/164.01
D382,958 S *	8/1997	Wolff	.....	D24/130
D393,722 S *	4/1998	Fangrow et al.	.....	D24/112
D399,559 S *	10/1998	Molina	.....	D24/112
D421,120 S *	2/2000	Brotspies et al.	.....	D24/114
D427,309 S *	6/2000	Molina	.....	D24/129
D428,141 S *	7/2000	Brotspies et al.	.....	D24/114

D439,664 S *	3/2001	Cuschieri et al.	.....	D24/133
D476,747 S *	7/2003	Savion et al.	.....	D24/216
D581,527 S *	11/2008	Jansen	.....	D24/130
D608,900 S *	1/2010	Giraud et al.	.....	D24/216
D614,296 S *	4/2010	Young	.....	D24/130
D616,090 S *	5/2010	Kawamura	.....	D24/127
D621,929 S *	8/2010	Van der Stappen	.....	D24/130
D709,753 S *	7/2014	Guala	.....	D8/330
D718,439 S *	11/2014	Woehr et al.	.....	D24/130
D726,551 S *	4/2015	Pappalardo	.....	D9/724
2003/0078548 A1 *	4/2003	Kobayashi	.....	604/263
2004/0220533 A1 *	11/2004	Caizza et al.	.....	604/264
2008/0033371 A1 *	2/2008	Updegraff et al.	.....	604/263
2008/0188799 A1 *	8/2008	Mueller-Beckhaus et al.	.....	604/88
2013/0123711 A1 *	5/2013	Schoonmaker et al.	.....	604/198
2015/0112297 A1 *	4/2015	Lev et al.	.....	604/414

\* cited by examiner

*Primary Examiner* — David Muller

*Assistant Examiner* — Nathan Johnston

(74) *Attorney, Agent, or Firm* — Baker & Hostetler LLP

(57) **CLAIM**

The ornamental design for an adapter collar for a syringe, as shown and described.

**DESCRIPTION**

FIG. 1 is a perspective view of my new design for an adapter collar.

FIG. 2 is an enlarged perspective view thereof.

FIG. 3 is a front elevation view thereof, the rear elevation view being identical.

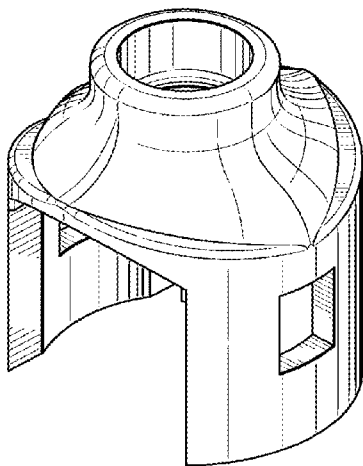
FIG. 4 is a right side elevation view thereof, the left side elevation view being identical.

FIG. 5 is a top view thereof.

FIG. 6 is a bottom view thereof; and,

FIG. 7 is a cross-sectional view taken along line 7-7 of FIG. 5. The broken line showing of parts of the drawings is included for the purpose of illustrating use and environment and forms no part of the claimed design.

**1 Claim, 2 Drawing Sheets**



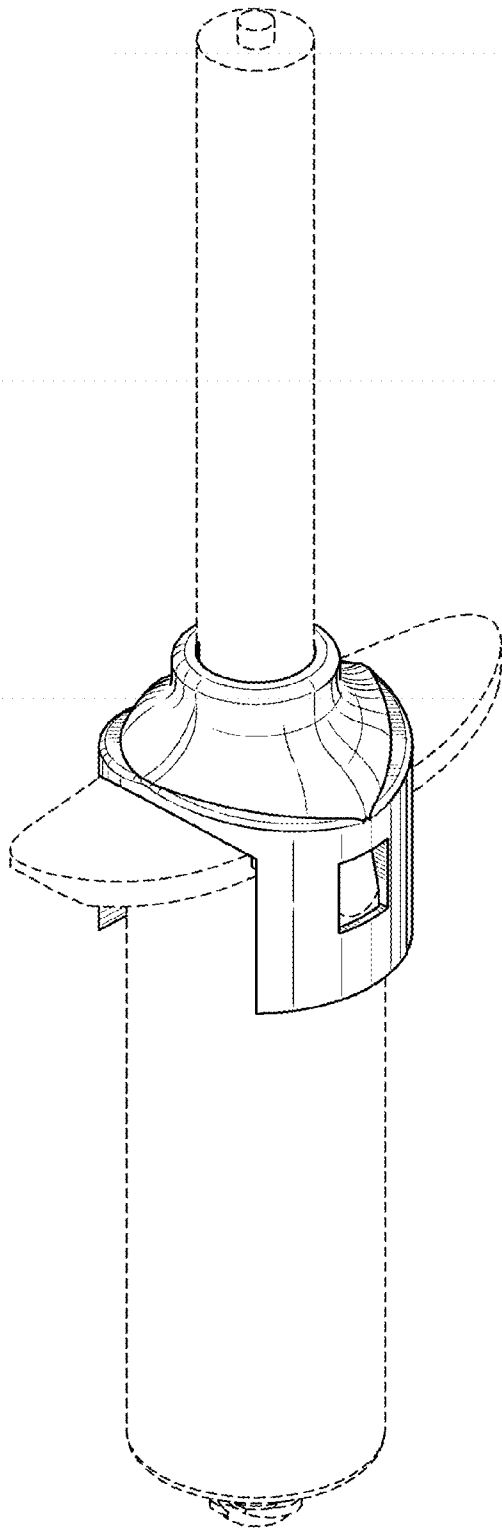


FIG. 1

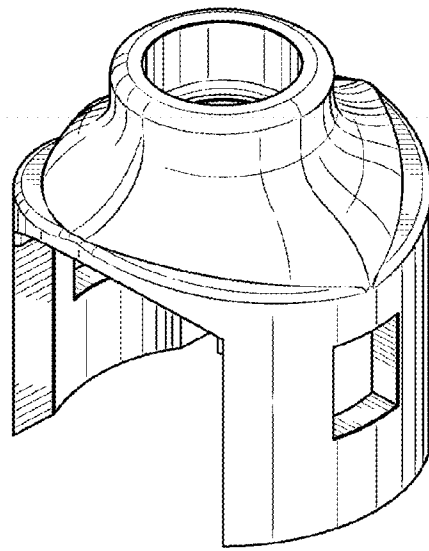


FIG. 2

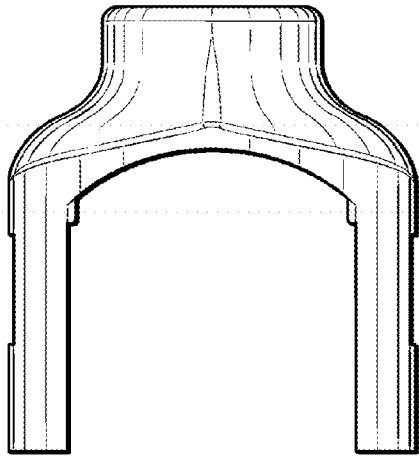


FIG. 3

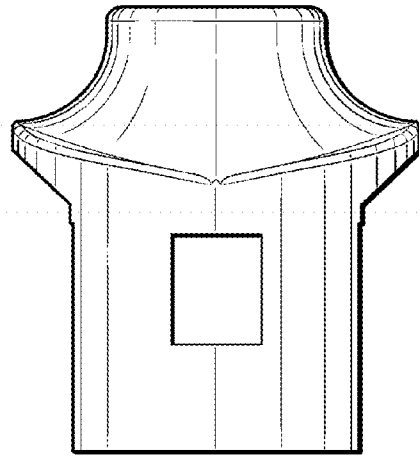


FIG. 4

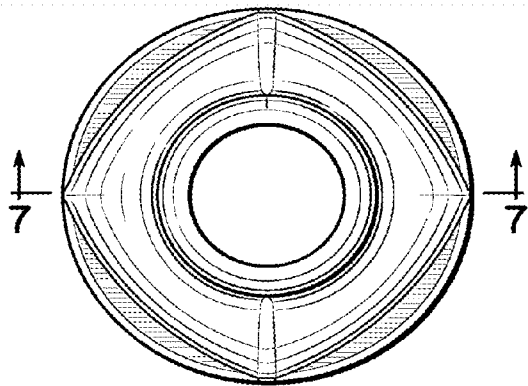


FIG. 5

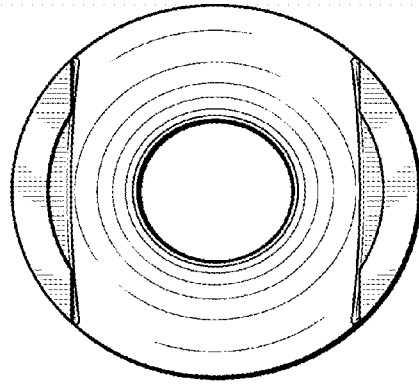


FIG. 6

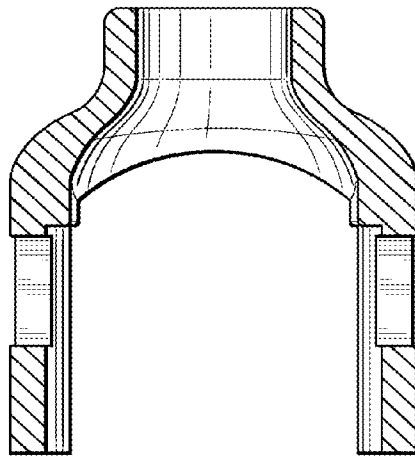


FIG. 7