



US00D766812S

(12) **United States Design Patent** (10) **Patent No.:** **US D766,812 S**  
**Kabata et al.** (45) **Date of Patent:** **\*\* Sep. 20, 2016**

(54) **CENTER CONSOLE FOR AN AUTOMOBILE**

FOREIGN PATENT DOCUMENTS

(71) Applicant: **Nissan Motor Co., Ltd.**, Yokohama, Kanagawa (JP)

JP 1253369 S 10/2005  
JP 1327140 S 4/2008

(Continued)

(72) Inventors: **Shigeyoshi Kabata**, Kanagawa (JP); **Takashi Oosuda**, Kanagawa (JP)

*Primary Examiner* — Katrina A Betton

(73) Assignee: **Nissan Motor Co., Ltd.**, Yokohama (JP)

(74) *Attorney, Agent, or Firm* — Global IP Counselors, LLP

(\*\*) Term: **15 Years**

(57) **CLAIM**

The ornamental design for a center console for an automobile, as shown and described.

(21) Appl. No.: **29/545,122**

(22) Filed: **Nov. 10, 2015**

**DESCRIPTION**

(30) **Foreign Application Priority Data**

May 12, 2015 (JP) ..... 2015-010294

(51) **LOC (10) CI.** ..... **12-16**

(52) **U.S. CI.**  
USPC ..... **D12/423**

(58) **Field of Classification Search**  
USPC ..... D12/415–426.1  
CPC ..... B64D 11/06; F16M 11/12; F16M 11/10  
See application file for complete search history.

FIG. 1 is a front elevational view of a center console for an automobile in accordance with my new design;  
FIG. 2 is a top plan view of the center console in accordance with my new design of FIG. 1;  
FIG. 3 is a bottom plan view of the center console in accordance with my new design of FIGS. 1 and 2;  
FIG. 4 is a left side elevational view of the center console in accordance with my new design of FIGS. 1 to 3;  
FIG. 5 is a right side elevational view of the center console in accordance with my new design of FIGS. 1 to 4;  
FIG. 6 is a front, left perspective view of the center console in accordance with my new design of FIGS. 1 to 5;  
FIG. 7 is a rear, right perspective view of the center console in accordance with my new design of FIGS. 1 to 6; and,  
FIG. 8 is a rear elevational view of the center console in accordance with my new design of FIGS. 1 to 7.

(56) **References Cited**

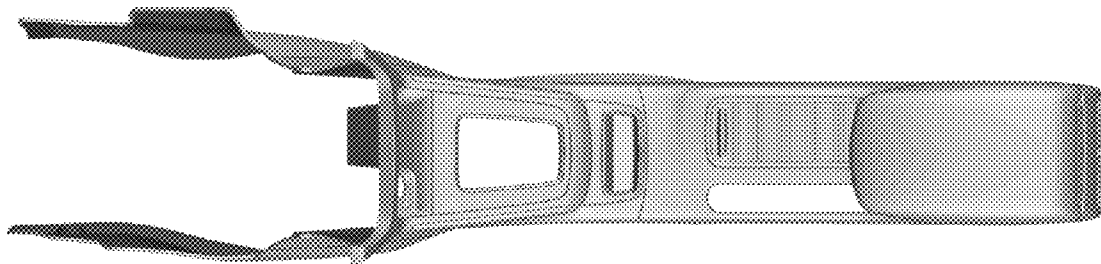
U.S. PATENT DOCUMENTS

D359,266 S \* 6/1995 Karp ..... D12/419  
D448,720 S \* 10/2001 Nash ..... D12/192  
6,616,206 B2 \* 9/2003 Luginbill ..... B60N 2/4646  
224/539  
D522,957 S \* 6/2006 Miyashita ..... D12/415  
D568,232 S \* 5/2008 Motozaki ..... D12/421  
7,980,409 B2 \* 7/2011 Vasko ..... B60R 7/04  
220/326  
D673,496 S 1/2013 Kikuta et al.  
D711,810 S 8/2014 Matsuo et al.  
D724,521 S \* 3/2015 Ashley ..... D12/419  
D725,582 S 3/2015 Kobari et al.

The inside surfaces of the center console form no part of the claimed design since the inside surfaces are hidden when the center console is mounted to an automobile.  
A second embodiment of our new design is identical to the first embodiment. The second embodiment of our new design includes the mirror image of the center console shown in FIGS. 1 to 8.

(Continued)

**1 Claim, 8 Drawing Sheets**



# US D766,812 S

Page 2

---

(56)

## References Cited

### U.S. PATENT DOCUMENTS

D725,583 S \* 3/2015 Seki ..... D12/419  
9,199,579 B2 \* 12/2015 Gillis ..... B60R 7/04

### FOREIGN PATENT DOCUMENTS

JP 1341442 S 10/2008

JP	1384126 S	4/2010
JP	1434236 S	2/2012
JP	1449381 S	8/2012
JP	1458879 S	1/2013
JP	1461202 S	2/2014
JP	1481504 S	10/2014
JP	1505889 S	8/2015
JP	1531063 S	8/2015

\* cited by examiner



FIG. 1

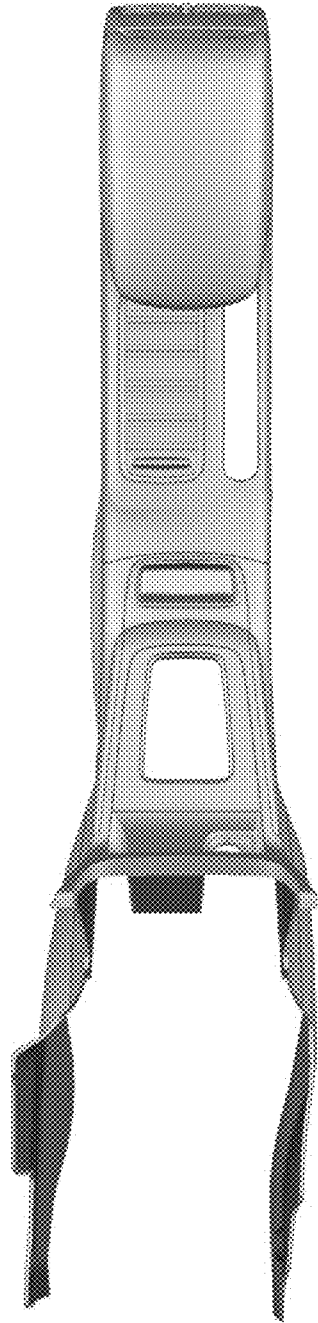


FIG. 2

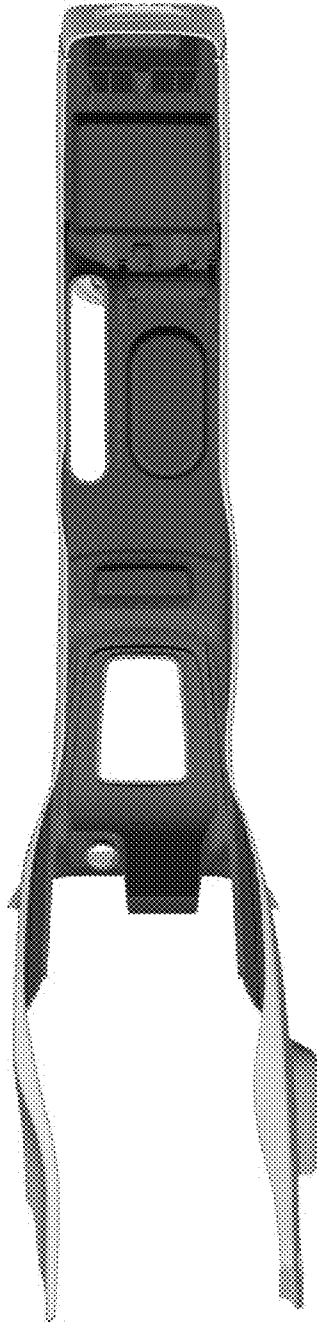


FIG. 3

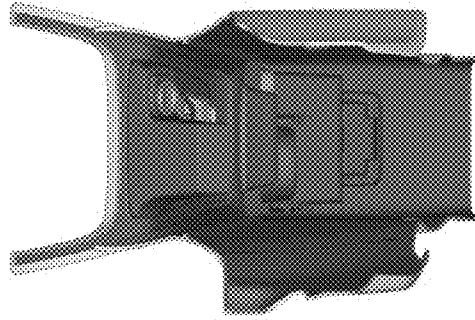


FIG. 4

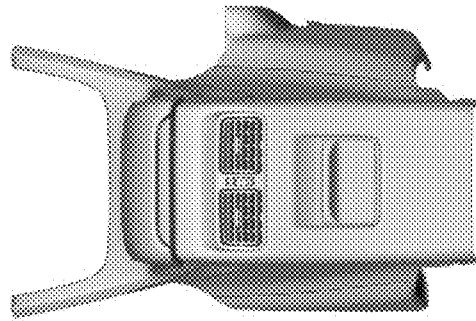


FIG. 5



FIG. 6



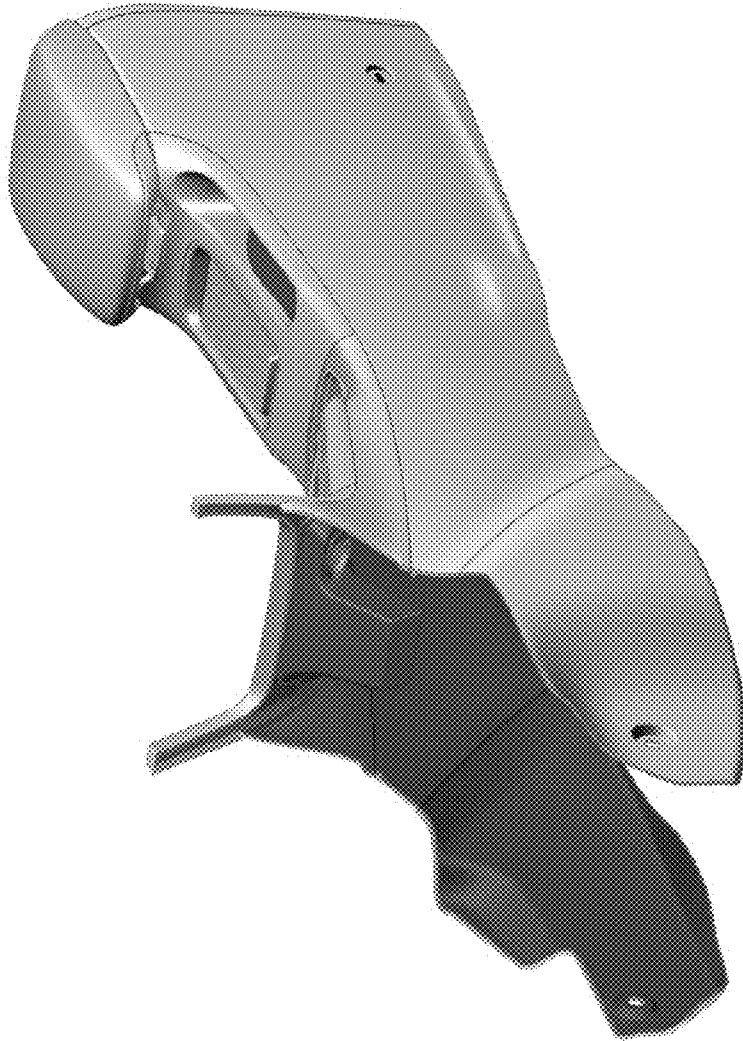


FIG. 7

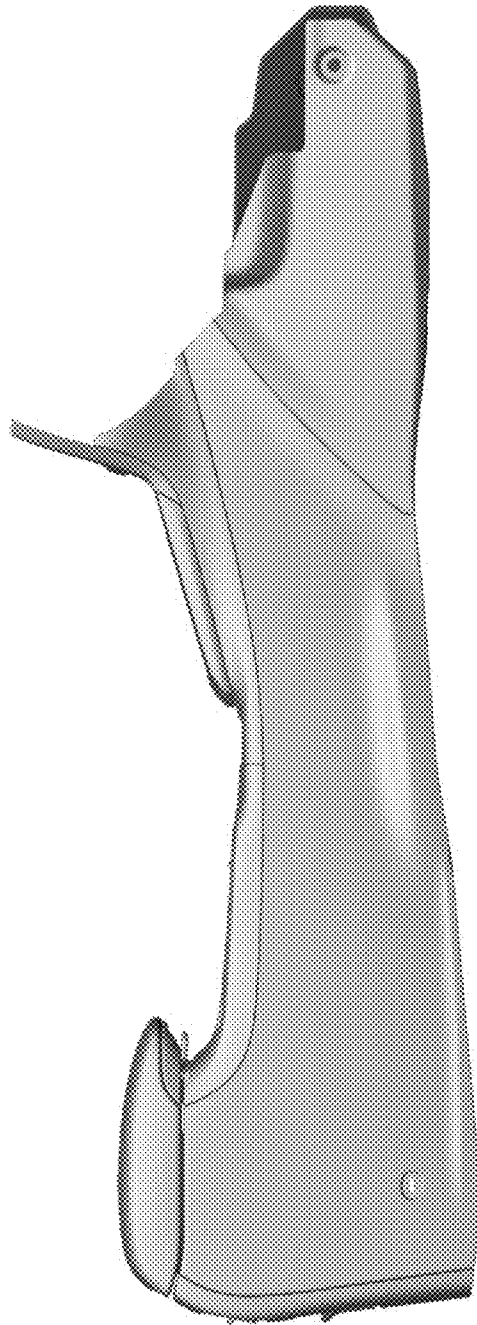


FIG. 8