



(51) International Patent Classification:  
H02M 1/32 (2007.01)

(21) International Application Number:  
PCT/US2012/057675

(22) International Filing Date:  
27 September 2012 (27.09.2012)

(25) Filing Language: English

(26) Publication Language: English

(30) Priority Data:  
13/246,042 27 September 2011 (27.09.2011) US

(71) Applicant: GENERAL ELECTRIC COMPANY  
[US/US]; 1 River Road, Schenectady, NY 12345 (US).

(72) Inventors: WAGONER, Robert, Gregory; 1501 Roanoke Blvd., Salem, VA 24153 (US). SMITH, David; 1501 Roanoke Blvd., Salem, VA 24153 (US).

(74) Agents: GNIBUS, Michael, M. et al.; General Electric Company, Global Patent Operation, 2 Corporate Drive, Suite 648, Shelton, CT 06484 (US).

(81) Designated States (unless otherwise indicated, for every kind of national protection available): AE, AG, AL, AM, AO, AT, AU, AZ, BA, BB, BG, BH, BN, BR, BW, BY, BZ, CA, CH, CL, CN, CO, CR, CU, CZ, DE, DK, DM, DO, DZ, EC, EE, EG, ES, FI, GB, GD, GE, GH, GM, GT, HN, HR, HU, ID, IL, IN, IS, JP, KE, KG, KM, KN, KP, KR, KZ, LA, LC, LK, LR, LS, LT, LU, LY, MA, MD, ME, MG, MK, MN, MW, MX, MY, MZ, NA, NG, NI,

NO, NZ, OM, PA, PE, PG, PH, PL, PT, QA, RO, RS, RU, RW, SC, SD, SE, SG, SK, SL, SM, ST, SV, SY, TH, TJ, TM, TN, TR, TT, TZ, UA, UG, US, UZ, VC, VN, ZA, ZM, ZW.

(84) Designated States (unless otherwise indicated, for every kind of regional protection available): ARIPO (BW, GH, GM, KE, LR, LS, MW, MZ, NA, RW, SD, SL, SZ, TZ, UG, ZM, ZW), Eurasian (AM, AZ, BY, KG, KZ, RU, TJ, TM), European (AL, AT, BE, BG, CH, CY, CZ, DE, DK, EE, ES, FI, FR, GB, GR, HR, HU, IE, IS, IT, LT, LU, LV, MC, MK, MT, NL, NO, PL, PT, RO, RS, SE, SI, SK, SM, TR), OAPI (BF, BJ, CF, CG, CI, CM, GA, GN, GQ, GW, ML, MR, NE, SN, TD, TG).

Declarations under Rule 4.17:

- as to applicant's entitlement to apply for and be granted a patent (Rule 4.17(ii))
- as to the applicant's entitlement to claim the priority of the earlier application (Rule 4.17(iii))

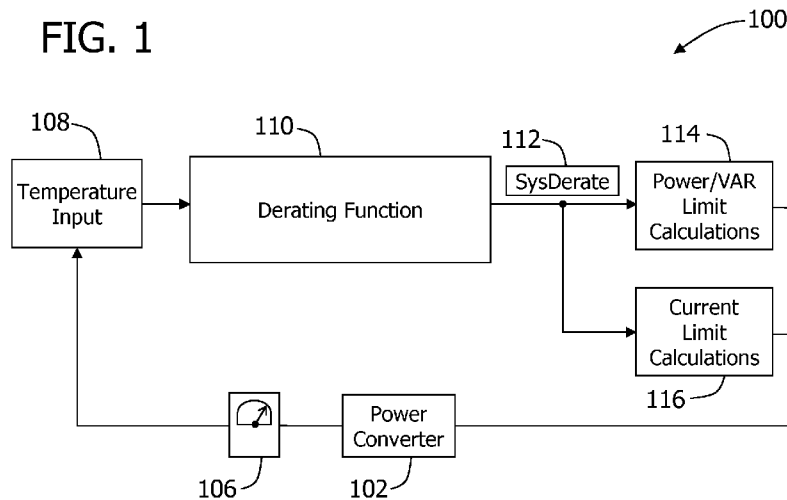
Published:

- with international search report (Art. 21(3))
- before the expiration of the time limit for amending the claims and to be republished in the event of receipt of amendments (Rule 48.2(h))

(88) Date of publication of the international search report:  
10 October 2013

(54) Title: POWER SYSTEM JUNCTION TEMPERATURE CONTROL

FIG. 1



(57) Abstract: An electrical power generating system including a power generating device, a power converter connected to the power generating device, and an electrical controller connected to the power converter. The electrical controller is configured to limit a peak junction temperature of the power converter by applying at least one junction temperature derating function.

WO 2013/049425 A3

INTERNATIONAL SEARCH REPORT

International application No  
PCT/US2012/057675

A. CLASSIFICATION OF SUBJECT MATTER  
INV. H02M1/32  
ADD.  
According to International Patent Classification (IPC) or to both national classification and IPC

B. FIELDS SEARCHED  
Minimum documentation searched (classification system followed by classification symbols)  
H02M

Documentation searched other than minimum documentation to the extent that such documents are included in the fields searched

Electronic data base consulted during the international search (name of data base and, where practicable, search terms used)  
EPO-Internal, WPI Data

C. DOCUMENTS CONSIDERED TO BE RELEVANT

Category*	Citation of document, with indication, where appropriate, of the relevant passages	Relevant to claim No.
Y	US 2009/008938 A1 (ERDMAN WILLIAM L [US] ET AL) 8 January 2009 (2009-01-08) paragraph [0004] figures 1, 2A	1-20
Y	US 2005/231146 A1 (DE FRUTOS XAVIER [FR] ET AL) 20 October 2005 (2005-10-20) paragraphs [0005], [0006]	1-20
Y	US 2004/124808 A1 (HIRONO DAISUKE [JP]) 1 July 2004 (2004-07-01) paragraph [0002] paragraph [0050] - paragraph [0055] figure 4	1-20
	----- -/--	

Further documents are listed in the continuation of Box C.

See patent family annex.

\* Special categories of cited documents :

- "A" document defining the general state of the art which is not considered to be of particular relevance
- "E" earlier application or patent but published on or after the international filing date
- "L" document which may throw doubts on priority claim(s) or which is cited to establish the publication date of another citation or other special reason (as specified)
- "O" document referring to an oral disclosure, use, exhibition or other means
- "P" document published prior to the international filing date but later than the priority date claimed

- "T" later document published after the international filing date or priority date and not in conflict with the application but cited to understand the principle or theory underlying the invention
- "X" document of particular relevance; the claimed invention cannot be considered novel or cannot be considered to involve an inventive step when the document is taken alone
- "Y" document of particular relevance; the claimed invention cannot be considered to involve an inventive step when the document is combined with one or more other such documents, such combination being obvious to a person skilled in the art
- "&" document member of the same patent family

Date of the actual completion of the international search  17 July 2013	Date of mailing of the international search report  29/07/2013
---	--

Name and mailing address of the ISA/ European Patent Office, P.B. 5818 Patentlaan 2 NL - 2280 HV Rijswijk Tel. (+31-70) 340-2040, Fax: (+31-70) 340-3016	Authorized officer  Roider, Anton
--	---

## INTERNATIONAL SEARCH REPORT

International application No  
PCT/US2012/057675

C(Continuation). DOCUMENTS CONSIDERED TO BE RELEVANT		
Category*	Citation of document, with indication, where appropriate, of the relevant passages	Relevant to claim No.
Y	US 5 923 135 A (TAKEDA YASUSHI [JP]) 13 July 1999 (1999-07-13) column 5, line 13 - line 67 claims 1, 13, 14 figures 1, 3, 6 -----	1-20
Y	EP 0 792 008 A2 (MEIDENSHA ELECTRIC MFG CO LTD [JP]) 27 August 1997 (1997-08-27) page 2, line 43 - page 3, line 6 figures 1, 3, 4 -----	1-20

# INTERNATIONAL SEARCH REPORT

Information on patent family members

International application No

PCT/US2012/057675

Patent document cited in search report	Publication date	Patent family member(s)	Publication date
US 2009008938	A1	08-01-2009	US 2009008938 A1
			WO 2008150907 A1
-----			
US 2005231146	A1	20-10-2005	DE 102005014131 A1
			JP 4303212 B2
			JP 2005287295 A
			US 2005231146 A1
-----			
US 2004124808	A1	01-07-2004	CN 1512657 A
			CN 1741365 A
			JP 2004208450 A
			US 2004124808 A1
-----			
US 5923135	A	13-07-1999	JP 3695023 B2
			JP H10164703 A
			US 5923135 A
-----			
EP 0792008	A2	27-08-1997	CN 1161588 A
			DK 792008 T3
			EP 0792008 A2
			JP 3430773 B2
			JP H09233832 A
			US 5875414 A
-----			