



US00D968516S

(12) **United States Design Patent** (10) **Patent No.:** **US D968,516 S**  
**McGahn et al.** (45) **Date of Patent:** **\*\* Nov. 1, 2022**

(54) **GAMING MACHINE**

(71) Applicant: **IGT**, Las Vegas, NV (US)

(72) Inventors: **Steven McGahn**, Reno, NV (US);  
**Charles Johnson**, Reno, NV (US);  
**Jacob Wik**, Reno, NV (US); **Jack H. Brooks**, Reno, NV (US)

7,267,613 B2 9/2007 Cole  
D559,917 S 1/2008 Cole  
D564,600 S 3/2008 Greenberg et al.  
D573,200 S 7/2008 Hashimoto et al.  
7,396,282 B2 7/2008 Gauselmann  
7,476,153 B2 1/2009 Walker et al.  
D596,678 S 7/2009 Myers

(Continued)

(73) Assignee: **IGT**, Las Vegas, NV (US)

(\*\*) Term: **15 Years**

(21) Appl. No.: **29/806,515**

(22) Filed: **Sep. 3, 2021**

**OTHER PUBLICATIONS**

“Behemoth Slot Machine”, Aristocrat, available prior to Oct. 10, 2019.

(Continued)

*Primary Examiner* — Khawaja Anwar

*Assistant Examiner* — Julice Seung Eun Oum

(74) *Attorney, Agent, or Firm* — Neal, Gerber & Eisenberg LLP

**Related U.S. Application Data**

(63) Continuation of application No. 29/708,970, filed on Oct. 10, 2019, now Pat. No. Des. 931,377.

(51) **LOC (13) Cl.** ..... **21-03**

(52) **U.S. Cl.** ..... **D21/369**  
USPC .....

(58) **Field of Classification Search**  
USPC ..... D21/329, 332, 333, 365, 385, 694, 371,  
D21/325, 324, 336, 369; D14/307, 308,  
D14/302

See application file for complete search history.

(57) **CLAIM**

The ornamental design for a gaming machine, as shown and described.

**DESCRIPTION**

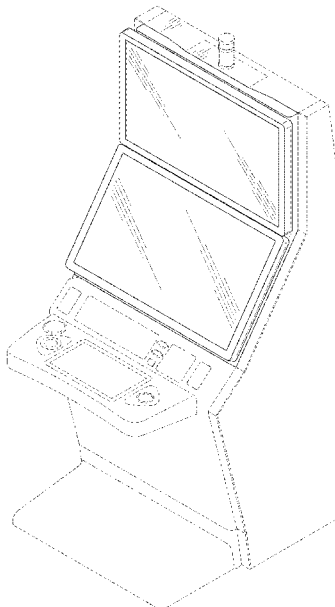
FIG. 1 is a front perspective view of a gaming machine of one embodiment of our new design.  
FIG. 2 is a front view of the gaming machine of FIG. 1.  
FIG. 3 is a rear view of the gaming machine of FIG. 1.  
FIG. 4 is a right side view of the gaming machine of FIG. 1.  
FIG. 5 is a left side view of the gaming machine of FIG. 1.  
FIG. 6 is a top view of the gaming machine of FIG. 1; and, FIG. 7 is a bottom view of the gaming machine of FIG. 1.  
The broken lines shown throughout the drawings represent portion of the gaming machine and form no part of the claimed design.

(56) **References Cited**

**U.S. PATENT DOCUMENTS**

D77,825 S 2/1929 Fey  
D245,359 S 8/1977 Wilke  
5,813,914 A 9/1998 Mckay et al.  
D460,915 S 7/2002 Lynch  
6,688,984 B2 2/2004 Cole  
D508,961 S 8/2005 Gatto et al.  
6,997,810 B2 2/2006 Cole  
D539,854 S 4/2007 Luciano et al.

**1 Claim, 7 Drawing Sheets**



(56)

References Cited

U.S. PATENT DOCUMENTS

D599,858 S 9/2009 Lesley et al.  
 D603,909 S \* 11/2009 De Viveiros Ortiz ..... D21/325  
 D605,231 S 12/2009 Hashimoto et al.  
 D615,598 S \* 5/2010 McComb ..... D21/370  
 D619,660 S 7/2010 Cole et al.  
 7,993,198 B2 8/2011 Walker et al.  
 8,033,902 B2 10/2011 Wells et al.  
 8,272,947 B2 9/2012 Gagner et al.  
 8,333,657 B1 12/2012 Nelson et al.  
 D674,023 S 1/2013 Seelig  
 D677,736 S \* 3/2013 Dorn ..... D21/370  
 D684,216 S 6/2013 Terpstra et al.  
 D697,558 S 1/2014 Myers et al.  
 D704,273 S 5/2014 Chudek  
 8,864,135 B2 10/2014 Baerlocher et al.  
 8,870,663 B2 10/2014 Cole  
 D721,766 S 1/2015 Ferrazoli  
 D721,767 S 1/2015 Ferrazoli  
 D727,431 S \* 4/2015 Themann ..... D21/370  
 D730,993 S 6/2015 Castro et al.  
 D732,520 S \* 6/2015 Themann ..... D14/307  
 D740,887 S 10/2015 Randazzo  
 9,443,385 B2 9/2016 Adiraju et al.  
 9,508,220 B2 11/2016 Walker et al.  
 D801,435 S 10/2017 Themann  
 D803,324 S 11/2017 Bussey et al.  
 9,824,523 B2 11/2017 Cannon et al.  
 D810,834 S 2/2018 Kelly et al.  
 D818,048 S 5/2018 Calhoun et al.  
 9,990,807 B2 6/2018 Leger et al.  
 D842,929 S 3/2019 Hung et al.  
 D842,930 S 3/2019 Johnson et al.  
 D843,467 S 3/2019 Johnson et al.  
 D854,620 S 7/2019 Yeh  
 D854,621 S 7/2019 Calhoun et al.  
 D858,641 S 9/2019 Legras et al.  
 D858,642 S 9/2019 Legras et al.  
 D866,667 S 11/2019 Stair et al.

D870,818 S 12/2019 Curbbun et al.  
 D872,188 S 1/2020 Bernard et al.  
 D872,189 S 1/2020 Bernard et al.  
 D873,921 S 1/2020 Bernard et al.  
 D880,609 S 4/2020 Bernard et al.  
 D889,553 S 7/2020 Glenn et al.  
 D890,849 S 7/2020 Johnson et al.  
 D893,628 S 8/2020 Thoeni et al.  
 D913,379 S \* 3/2021 Calhoun Lewis ..... D21/369  
 D948,621 S \* 4/2022 Jadeja ..... D21/370  
 D951,359 S \* 5/2022 Lawson ..... D21/370  
 2006/0276245 A1 12/2006 Walker et al.  
 2006/0287070 A1 12/2006 Walker et al.  
 2007/0142113 A1 6/2007 Walker et al.  
 2007/0238511 A1\* 10/2007 Sato ..... G07F 17/3267  
 463/20  
 2009/0111573 A1 4/2009 Iddings  
 2009/0221375 A1 9/2009 Luciano et al.  
 2009/0233681 A1 9/2009 Tsukahara  
 2013/0102381 A1 4/2013 Nelson et al.  
 2013/0178260 A1 7/2013 Baerlocher et al.  
 2013/0303265 A1\* 11/2013 Wilkins ..... G07F 17/3223  
 463/20  
 2014/0274252 A1 9/2014 Chun  
 2014/0274292 A1\* 9/2014 Suda ..... G07F 17/34  
 463/20  
 2020/0051374 A1\* 2/2020 Solaja ..... G07F 17/3223  
 2020/0051377 A1\* 2/2020 Montenegro ..... G07F 17/3225  
 2021/0035402 A1\* 2/2021 Rye ..... G07F 17/3216

OTHER PUBLICATIONS

“Crystal Dual 27 Gaming Machine”, IGT, available prior to Oct. 10, 2019.  
 “Helix Casino Machine”, Aristocrat, available prior to Oct. 10, 2019.  
 Taiwan Trade, “23 Inch Double Screen Cabinet”, available prior to Oct. 10, 2019.

\* cited by examiner

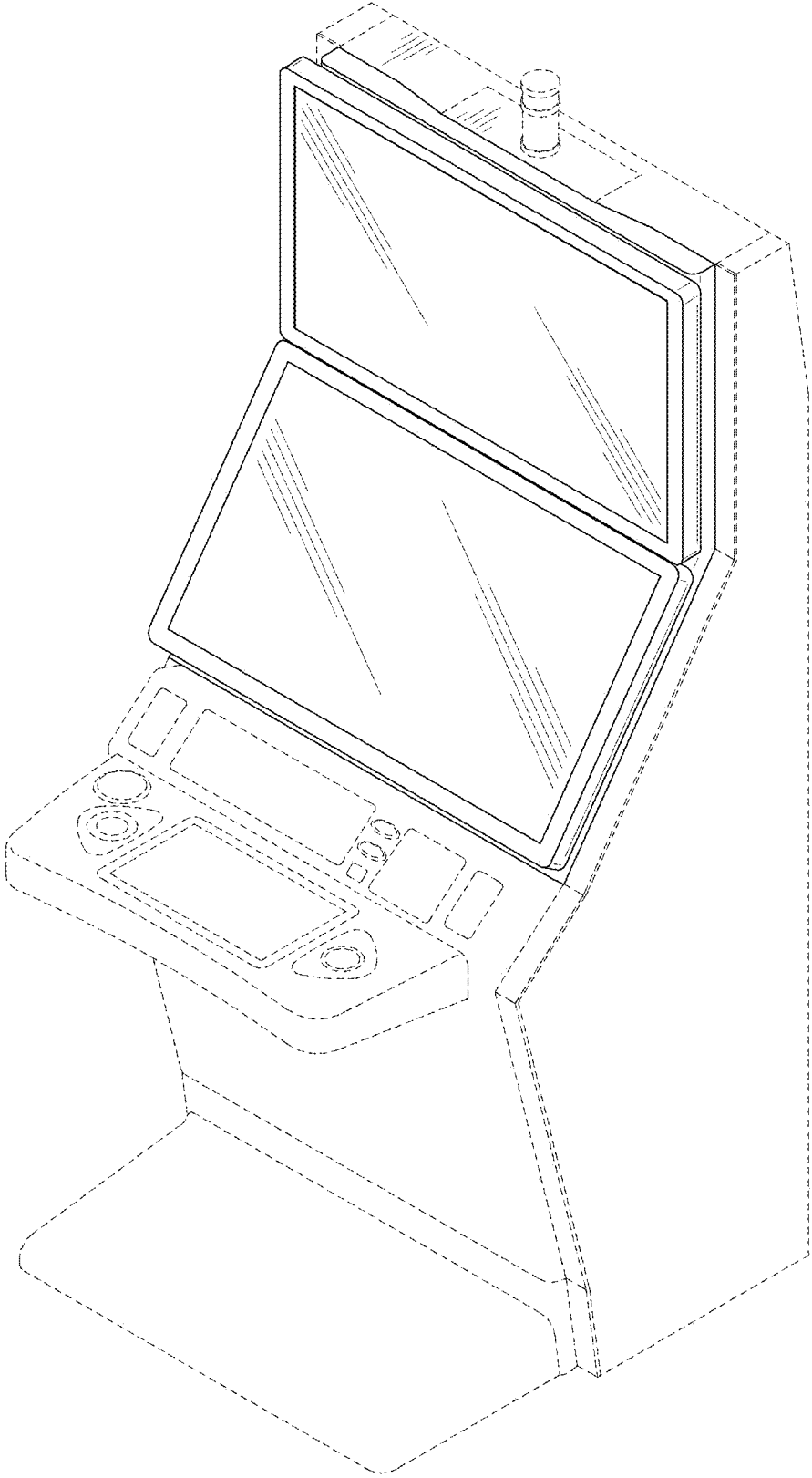


FIG. 1

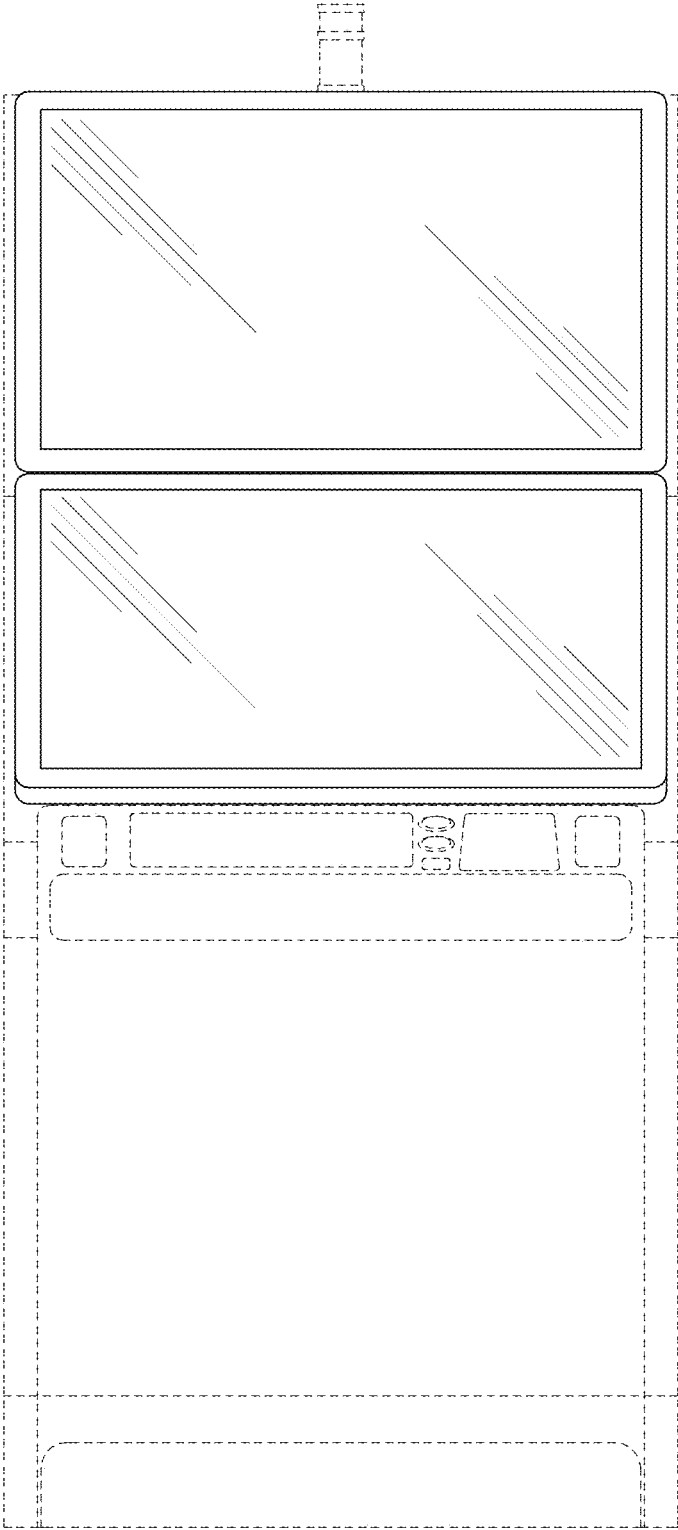


FIG. 2



FIG. 3

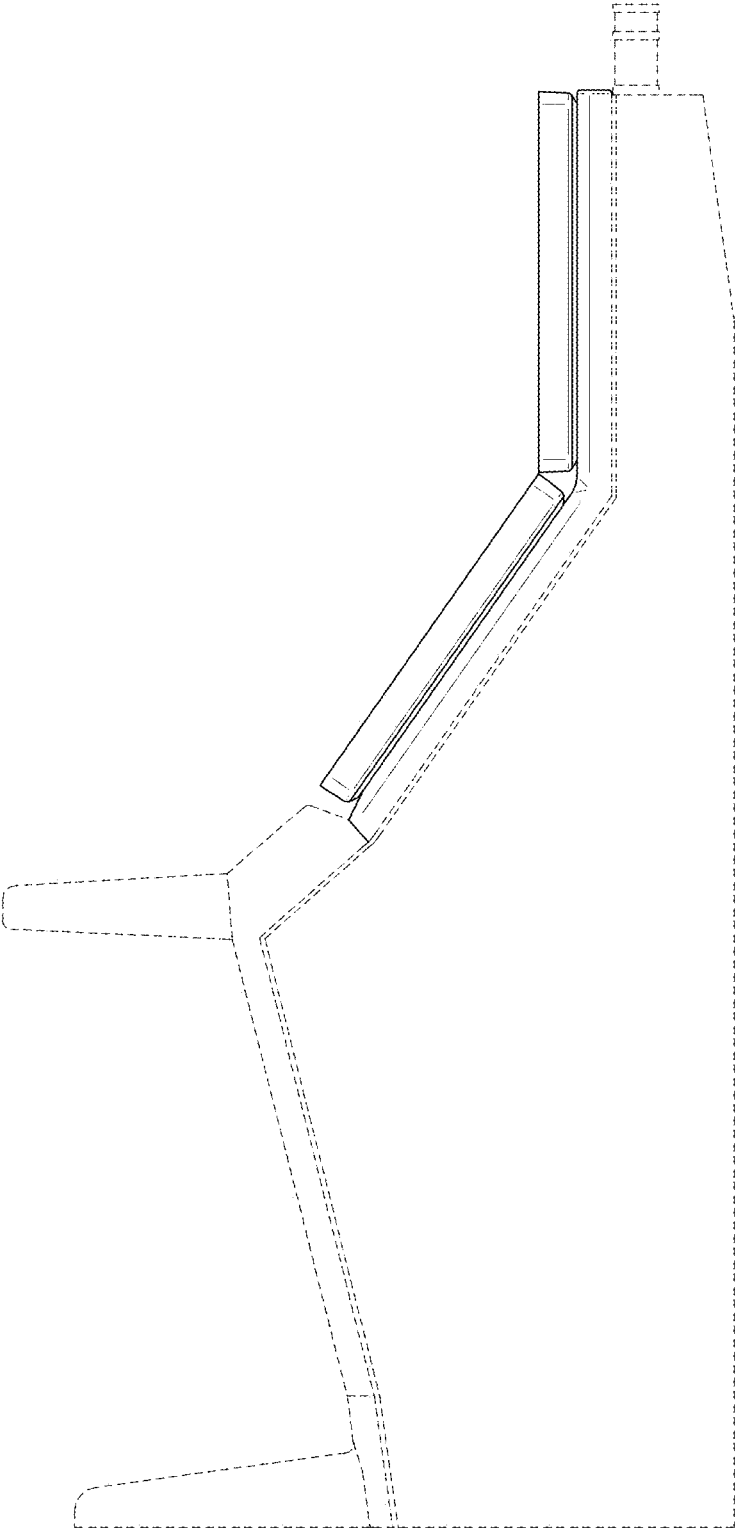


FIG. 4

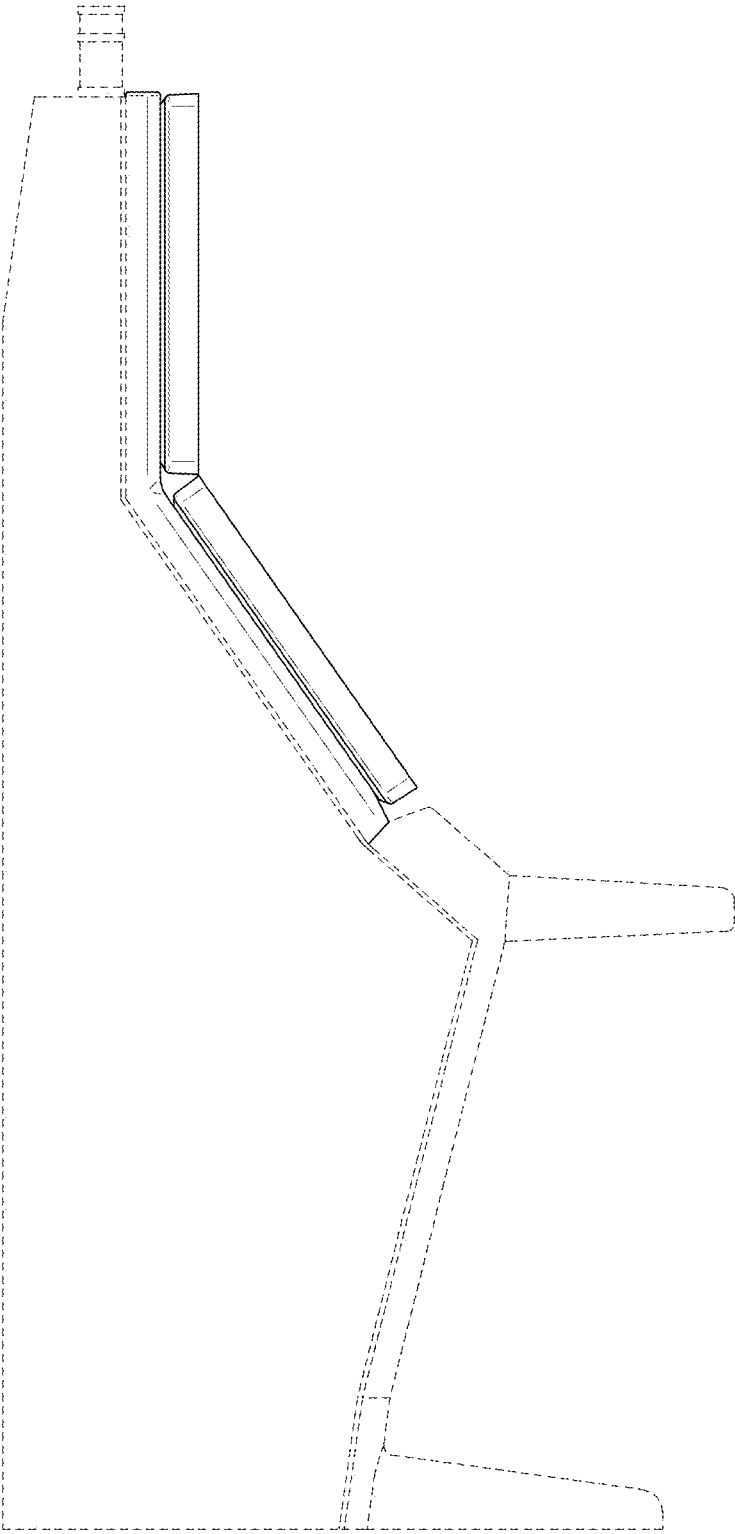


FIG. 5

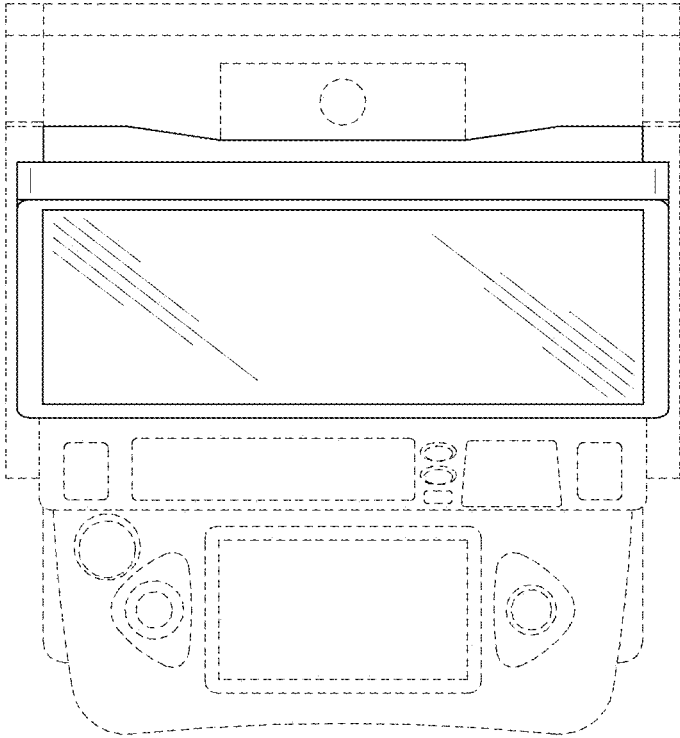


FIG. 6



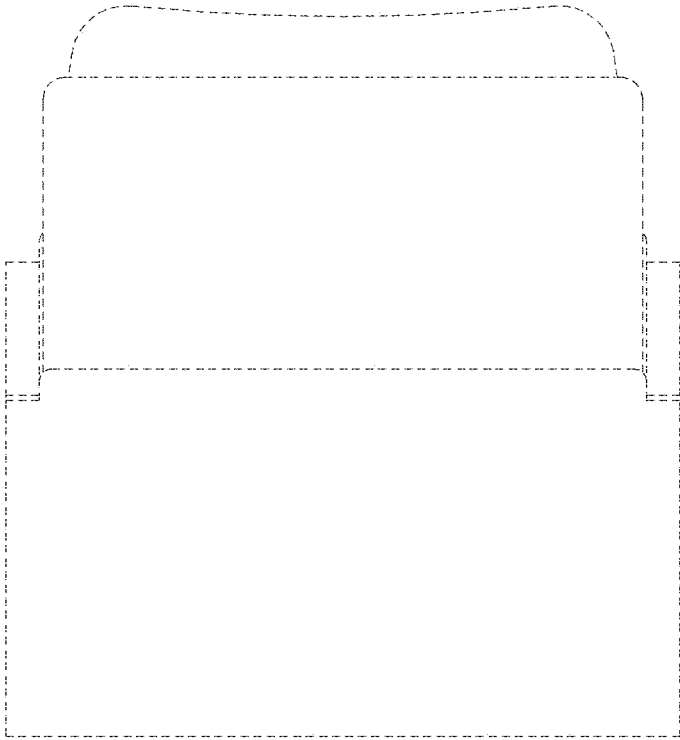


FIG. 7