



US00D630093S

(12) **United States Design Patent**
Bardet

(10) **Patent No.:** **US D630,093 S**

(45) **Date of Patent:** **** Jan. 4, 2011**

(54) **CLOSURE**

(75) Inventor: **Philippe Bardet**, Gleize (FR)

(73) Assignee: **Obrist Closures Switzerland GmbH**,
Reinach (CH)

(**) Term: **14 Years**

(21) Appl. No.: **29/363,583**

(22) Filed: **Jun. 11, 2010**

(51) **LOC (9) Cl.** **09-07**

(52) **U.S. Cl.** **D9/438; D9/447; D9/453;**
D9/448

(58) **Field of Classification Search** D9/724,
D9/454, 453, 449, 448, 447, 435, 434, 418;
D28/7; D24/129, 115; 604/414, 411, 403;
422/103; 239/327; 222/522, 211, 209, 109;
221/63; 220/254.1–254.4; 215/247; 206/824;
141/329

See application file for complete search history.

(56) **References Cited**

U.S. PATENT DOCUMENTS

1,798,151 A	3/1931	Fabrice	
2,858,054 A	10/1958	Harkrader	
D203,712 S *	2/1966	Podall D9/448
3,348,718 A	10/1967	Musy	
3,412,890 A	11/1968	Rich	
3,425,578 A	2/1969	Owens	
3,455,479 A	7/1969	Wilton	
3,603,470 A	9/1971	Armour	
3,810,556 A	5/1974	Coursaut	
3,820,683 A	6/1974	Jasinski	
3,871,545 A	3/1975	Bereziat	
3,892,351 A	7/1975	Johnson et al.	

4,091,949 A 5/1978 Fowles et al.
4,303,171 A 12/1981 Schremmer

(Continued)

FOREIGN PATENT DOCUMENTS

DE 809 896 8/1951

(Continued)

OTHER PUBLICATIONS

Serial No. PCT/EP2005/053441, completed Dec. 1, 2005, International Search Report and Written Opinion of the International Searching Authority, 5 pages.

(Continued)

Primary Examiner—Susan Bennett Hattan

(74) *Attorney, Agent, or Firm*—Lackenbach Siegel, LLP;
Andrew F. Young

(57) **CLAIM**

The ornamental design for a closure, as shown and described.

DESCRIPTION

FIG. 1 is a front perspective view of the invention.

FIG. 2 is a top plan view of FIG. 1.

FIG. 3 is a right side elevation view of FIG. 1.

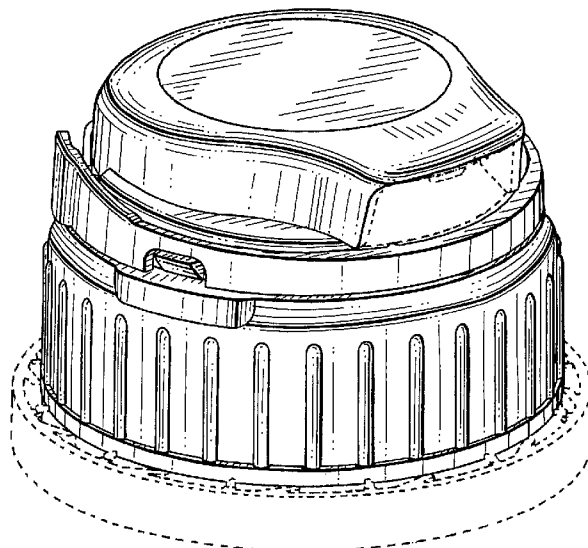
FIG. 4 is a front elevation view of FIG. 1.

FIG. 5 is a left side elevation view of FIG. 1; and,

FIG. 6 is a rear perspective view of FIG. 1.

The invention is shown mounted on a surface and contains no claim to a bottom view which contains no ornamental design feature. The broken lines in the drawing depict environmental subject matter only and form no part of the claimed design.

1 Claim, 6 Drawing Sheets



U.S. PATENT DOCUMENTS

4,310,105	A	1/1982	Gach	
4,531,649	A	7/1985	Shull	
4,569,464	A	2/1986	Wassilieff	
4,637,519	A	1/1987	Dutt et al.	
4,697,719	A	10/1987	Allen	
4,744,480	A	5/1988	Luch et al.	
4,790,442	A	12/1988	Gach	
4,838,441	A	6/1989	Chernack	
4,941,592	A	7/1990	Kitterman	
4,942,970	A	7/1990	Jay	
5,004,126	A	4/1991	Klesius	
D323,462	S *	1/1992	Beck	D9/447
D339,527	S *	9/1993	Tobler	D9/448
5,332,113	A	7/1994	Kusler et al.	
5,427,260	A	6/1995	Mueller et al.	
D360,580	S *	7/1995	Bomareto	D9/447
5,445,824	A	8/1995	Someya	
5,588,545	A	12/1996	King et al.	
5,603,422	A	2/1997	Herrmann	
5,683,016	A	11/1997	Santagiuliana	
D399,601	S *	10/1998	Desnos et al.	D28/7
5,819,965	A	10/1998	King et al.	
D419,071	S *	1/2000	Peters et al.	D9/453
6,036,036	A	3/2000	Bilani et al.	
6,095,375	A	8/2000	Adams et al.	
6,269,986	B1	8/2001	Gross	
D451,393	S *	12/2001	Gerhart et al.	D9/453
6,484,879	B2	11/2002	Desmarais et al.	
6,683,038	B2	1/2004	Forth et al.	
6,685,046	B2	2/2004	Ogino	
6,688,501	B2	2/2004	DeGroot et al.	
6,727,215	B2	4/2004	Roberts et al.	
6,866,164	B2	3/2005	Branson et al.	
6,880,729	B2	4/2005	Stull et al.	
7,121,419	B2	10/2006	Ferry et al.	
7,125,828	B2	10/2006	Catlin et al.	
7,204,383	B2	4/2007	Hsu	
2002/0125249	A1	9/2002	Baird-Smith et al.	
2004/0026420	A1	2/2004	Smith	
2004/0143505	A1	7/2004	Kovach	
2005/0133475	A1	6/2005	Goto et al.	
2005/0205607	A1	9/2005	Hierzer et al.	
2006/0011573	A1	1/2006	Herald et al.	
2006/0043052	A1	3/2006	Lin	
2006/0077062	A1	4/2006	Andrechak et al.	
2006/0124646	A1	6/2006	Gugliemini et al.	
2008/0277613	A1	11/2008	Ramsey et al.	

FOREIGN PATENT DOCUMENTS

DE	861 666	1/1953
DE	85 35 205 U1	2/1986
DE	3 605 963 A1	8/1987
DE	200 19 797 U1	5/2001
EP	0 127 943 A1	12/1984
EP	0 132 792 A1	2/1985
EP	0 179 498 A1	4/1986
EP	0 236 136 A2	9/1987
EP	0 306 670 A2	3/1989
EP	0 337 568 A2	10/1989
EP	0 414 462 A2	2/1991
EP	0 593 952 A1	9/1993
EP	0 619 243 A1	10/1994
EP	0 688 723 A1	12/1995
EP	1 101 707 A1	5/2001

EP	1 266 839 A	12/2002
EP	1 266 839 A2	12/2002
EP	1 283 175 A2	2/2003
EP	1 161 382 B1	9/2003
EP	2005/053085	6/2004
EP	0 425 391 71	6/2005
EP	1 694 576 B1	2/2008
EP	1 786 698 B1	9/2008
EP	1 663 809 B1	10/2008
EP	2 019 048 A1	1/2009
FR	2 439 139 A	5/1980
FR	2 567 106 A	1/1986
FR	2 591 571 A	6/1987
GB	1 298 084 A	11/1972
GB	1 473 482 A	5/1977
GB	1484517	9/1977
GB	2 123 392 A	2/1984
GB	2 136 782 A	9/1984
GB	2 148 235 A	5/1985
GB	2 158 424 A	11/1985
GB	2 172 803 A	10/1986
GB	2 222 821 A	3/1990
GB	2 264 110 B	8/1993
GB	2 311 283 A	9/1997
GB	2 355 269 A	4/2001
GB	2 356 842 A	6/2001
GB	2 375 516 A	11/2002
GB	2 430 667 A	4/2007
GB	2 415 426 A	5/2007
GB	2 432 153 A	11/2007
JP	10 3382551 A	3/1999
JP	2000/229651	8/2000
JP	2003/160162 A	11/2001
JP	2003/160162	6/2003
WO	WO 94/07470 A1	4/1994
WO	WO 99/57031 A1	11/1999
WO	WO 00/26878 A1	5/2000
WO	WO 00/66451 A1	11/2000
WO	WO 01/36290 A1	5/2001
WO	WO 01/83668 A1	11/2001
WO	WO 02/44047 A1	6/2002
WO	WO 02/085730	10/2002
WO	WO 02/096771 A1	12/2002
WO	WO 03/016162 A1	2/2003
WO	WO 03/016165 A1	2/2003
WO	WO 2004/011347	2/2004
WO	WO 2005/024745 A2	3/2005
WO	WO 2005/049443	6/2005
WO	WO 2006/000532 A1	1/2006
WO	WO 2006/003168	1/2006
WO	WO 2006/008285	1/2006
WO	WO 2006/020059 A2	2/2006
WO	WO 2006/117505	11/2006
WO	WO 2007/125292 A2	11/2007
WO	WO 2009/056829 A1	5/2009

OTHER PUBLICATIONS

Serial No. PCT/EP2003/07798, mailed Oct. 15, 2004, International Search Report and Written Opinion of the International Searching Authority, 5 pages.

UK Application No. GB 0721330.9; Search Report and Written Opinion dated Feb. 27, 2008; 4 pages.

EP 1 663 809 B1 Documents Related to Opposition (8 pages).

Ser No. PCT/GB2008/03666, International Search Report and Written Opinion, Feb. 24, 2009 (13 pages).

* cited by examiner

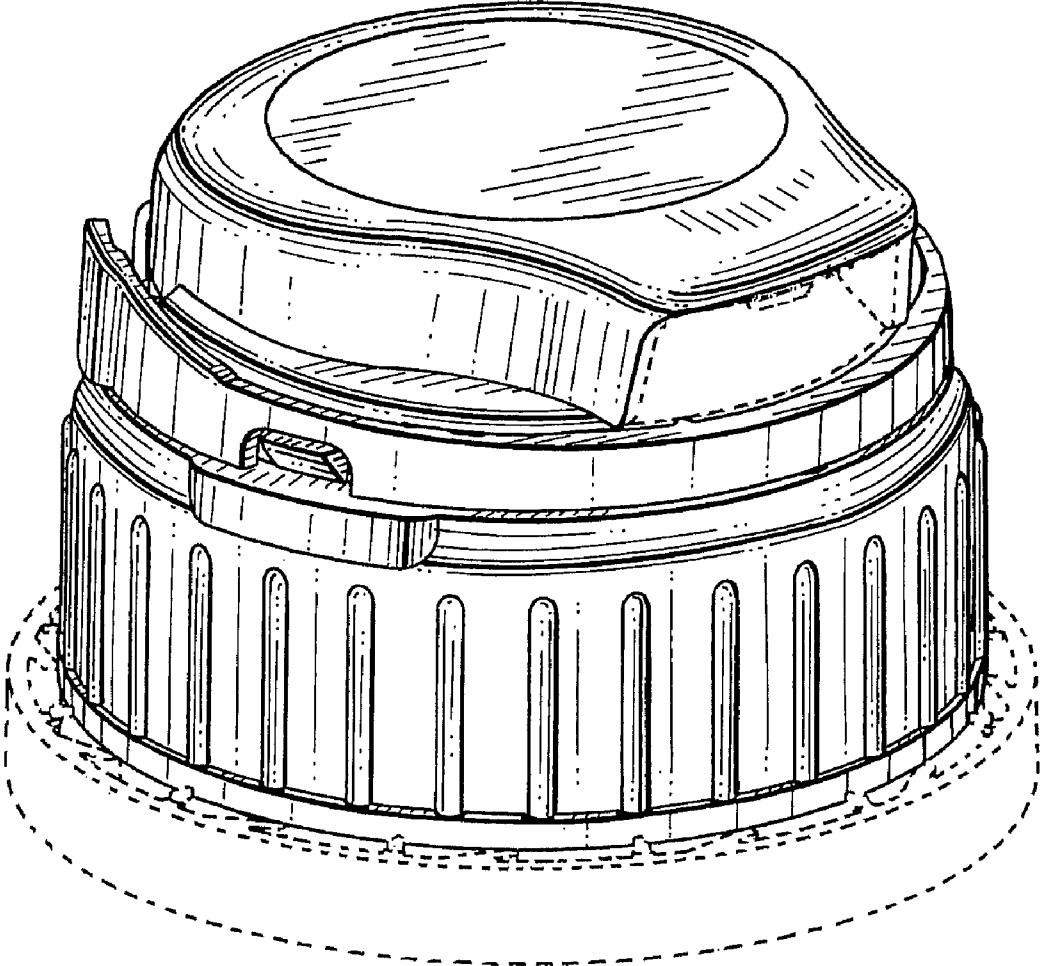


FIG. 1

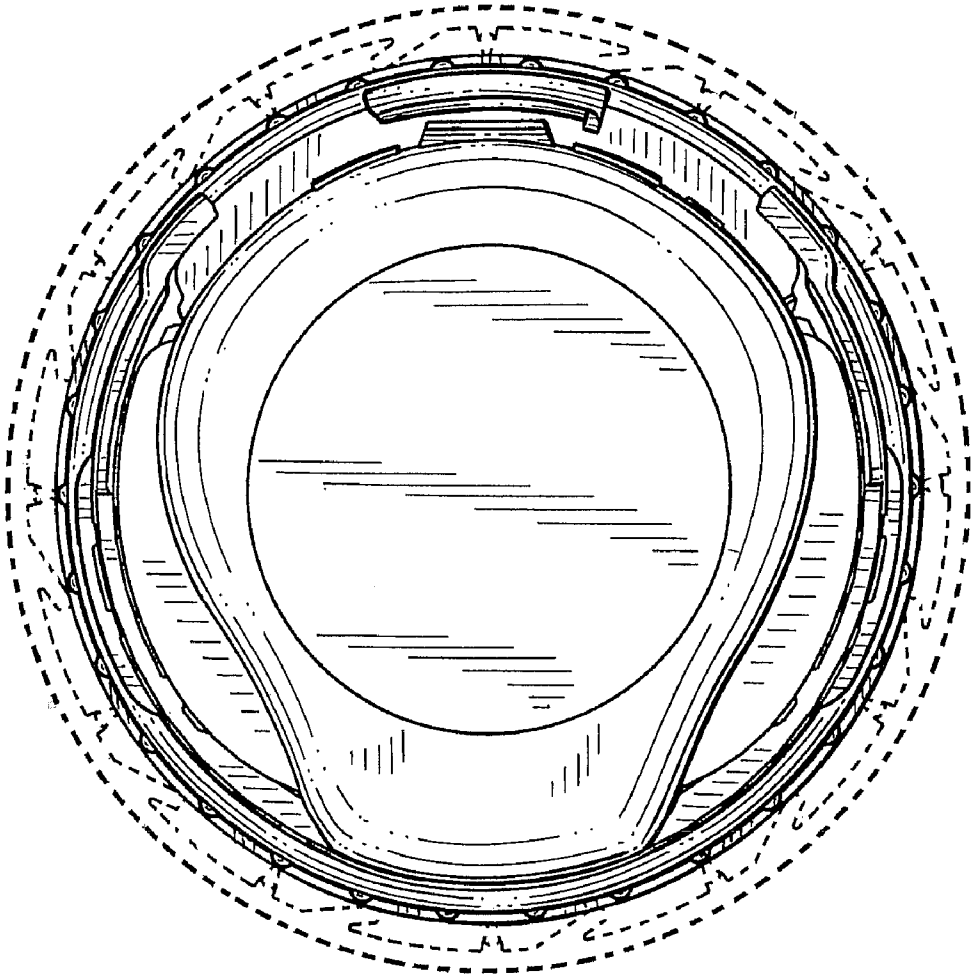


FIG. 2

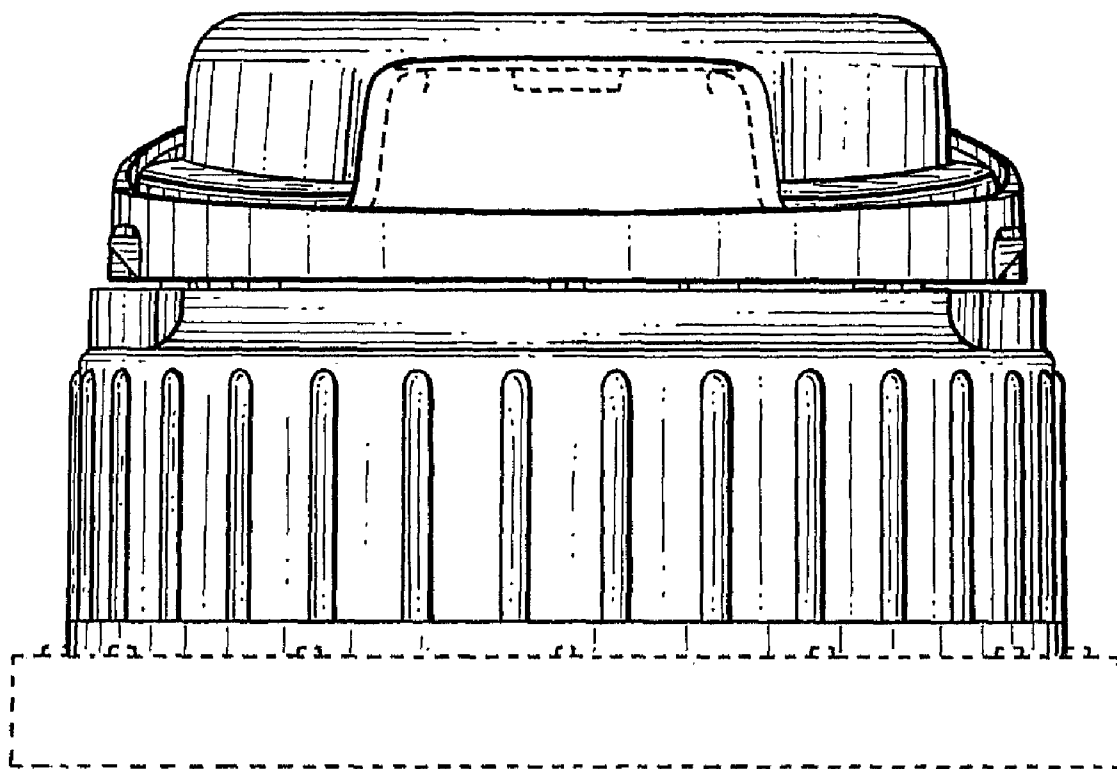


FIG. 3

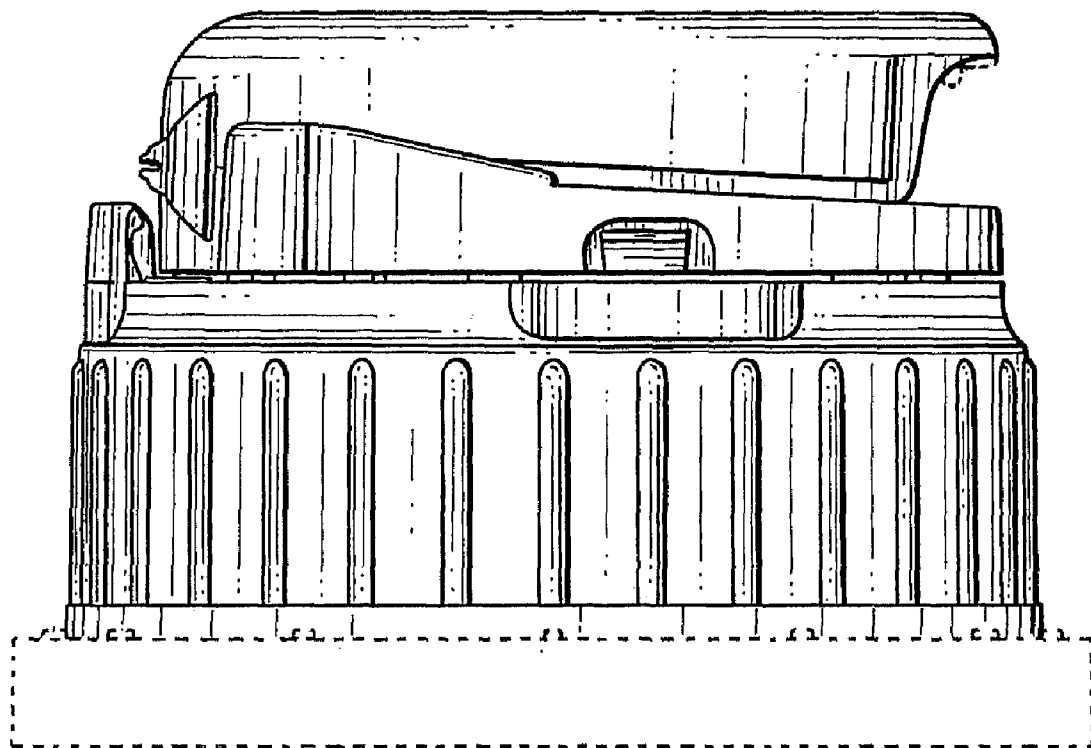


FIG. 4

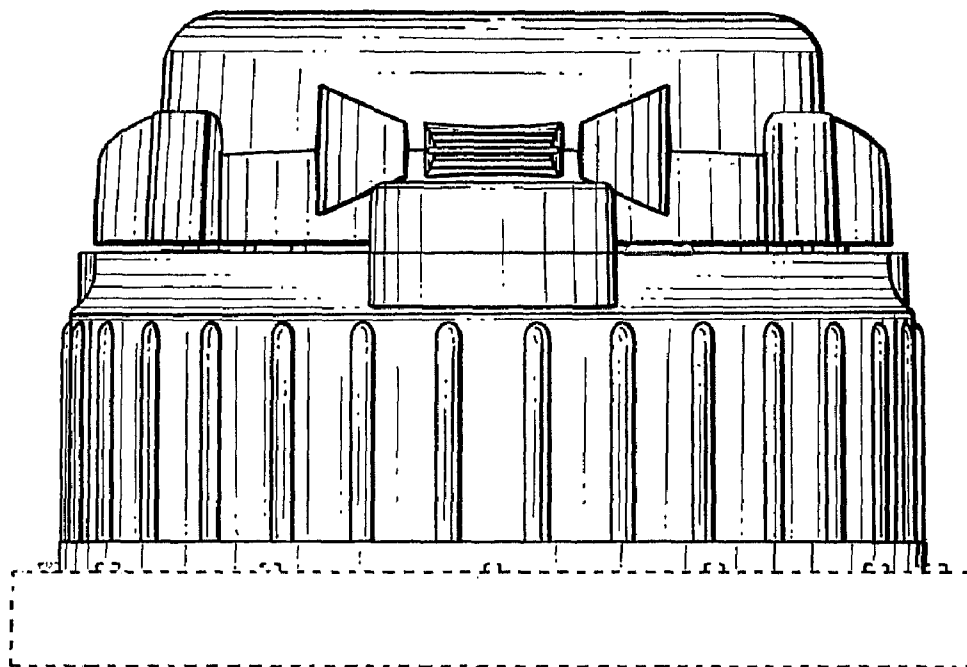


FIG. 5

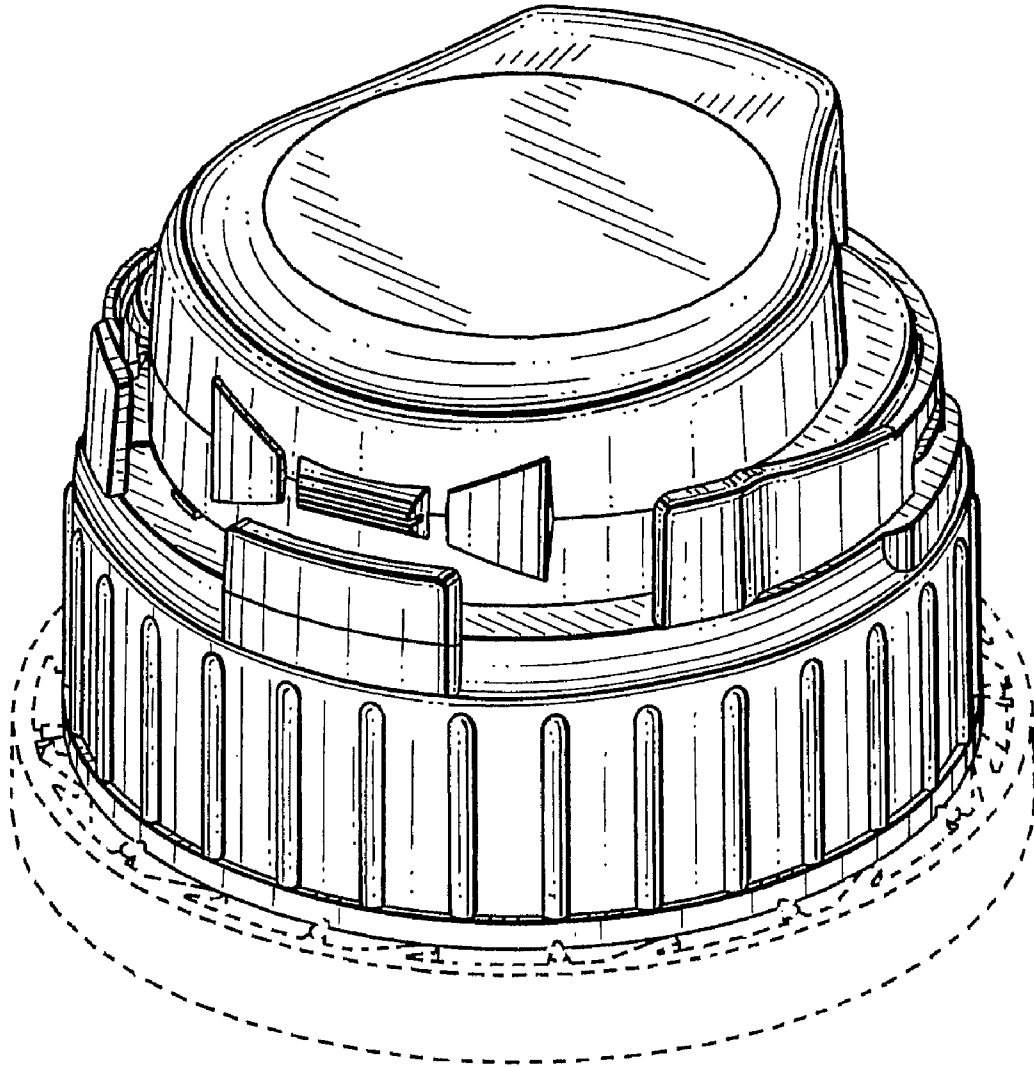


FIG. 6