



US00D478658S

(12) **United States Design Patent** (10) **Patent No.:** **US D478,658 S**  
**Falco** (45) **Date of Patent:** **\*\* Aug. 19, 2003**

(54) **EARPLUG**  
(75) Inventor: **Robert N. Falco**, Indianapolis, IN (US)  
(73) Assignee: **Cabot Safety Intermediate Corporation**, Newark, DE (US)  
(\*\*) Term: **14 Years**

*Primary Examiner*—Ian Simmons  
(74) *Attorney, Agent, or Firm*—Cantor Colburn LLP

(57) **CLAIM**

The ornamental design for an earplug, as shown and described.

**DESCRIPTION**

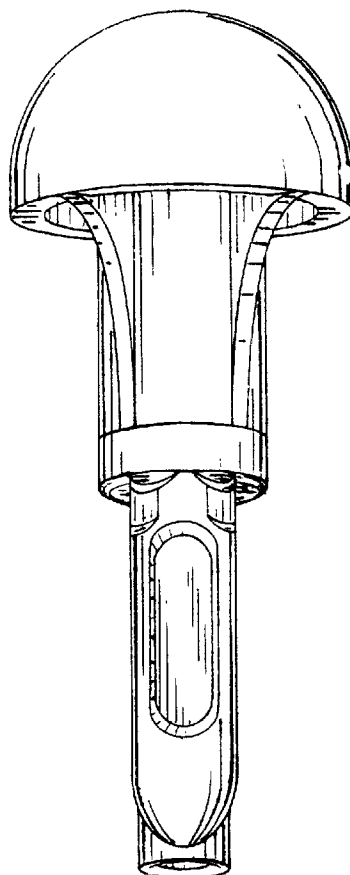
(21) Appl. No.: **29/166,972**  
(22) Filed: **Sep. 6, 2002**  
(51) **LOC (7) Cl.** ..... **24-04**  
(52) **U.S. Cl.** ..... **D24/106**  
(58) **Field of Search** ..... D24/106; 181/135,  
181/129, 130; 128/864, 865; D29/112

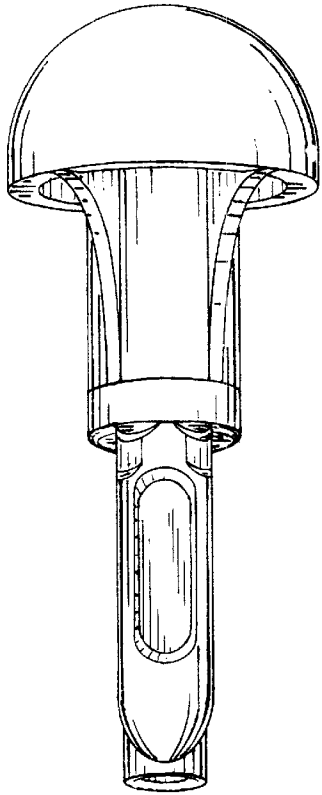
FIG. 1 is a perspective view of an earplug, showing my new design;  
FIG. 2 is a side elevational view thereof, the opposite side being a mirror image thereof;  
FIG. 3 is another side elevational view thereof, the opposite side being a mirror image thereof;  
FIG. 4 is a top plan view thereof;  
FIG. 5 is a bottom plan view thereof;  
FIG. 6 is a perspective view of a stem portion of the earplug of FIG. 1;  
FIG. 7 is a side elevational view thereof, the opposite side view being a mirror image thereof;  
FIG. 8 is another side elevational view thereof, the opposite side view being a mirror image thereof;  
FIG. 9 is a top plan view thereof; and,  
FIG. 10 is a bottom plan view thereof.

(56) **References Cited**  
**U.S. PATENT DOCUMENTS**  
D245,202 S \* 7/1977 Asker ..... D24/106  
D402,752 S \* 12/1998 Falco ..... D24/106  
D413,379 S \* 8/1999 Leight ..... D24/106  
5,957,136 A \* 9/1999 Magidson et al. .... 128/864  
6,241,042 B1 \* 6/2001 Falco ..... 181/135  
6,286,622 B1 \* 9/2001 Tiemann ..... 181/135  
D466,995 S \* 12/2002 Knauer et al. .... D24/106

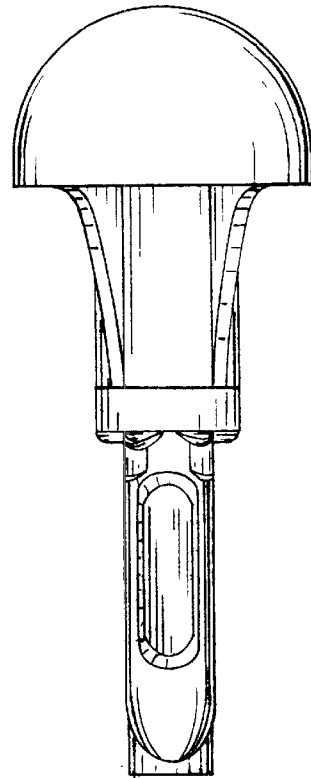
\* cited by examiner

**1 Claim, 3 Drawing Sheets**

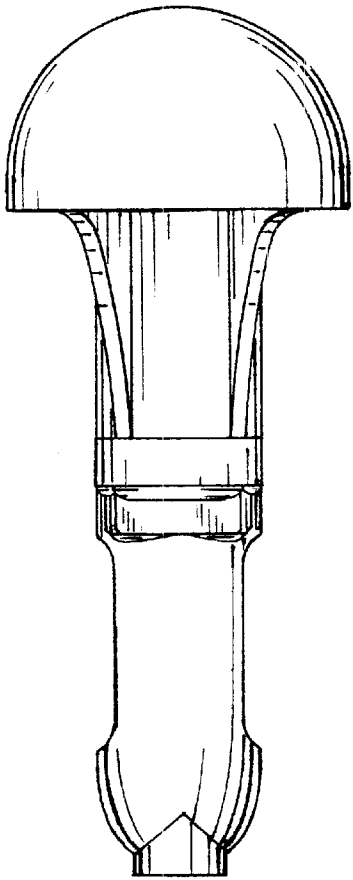




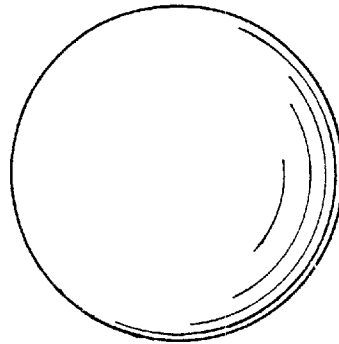
*FIG. 1*



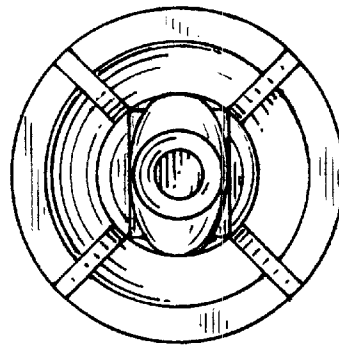
*FIG. 2*



*FIG. 3*



*FIG. 4*



*FIG. 5*

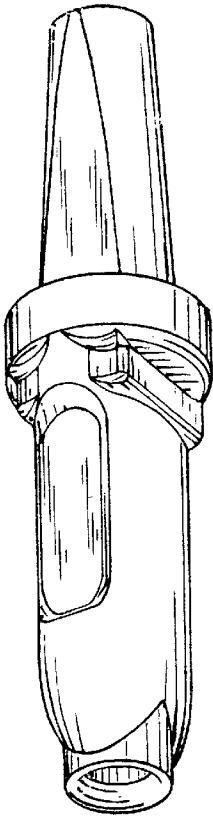


FIG. 6

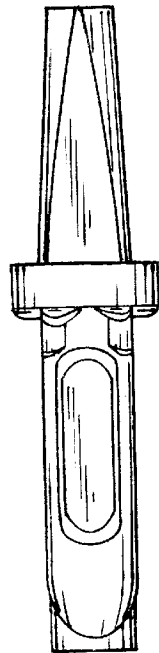


FIG. 7

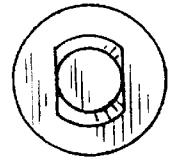


FIG. 9

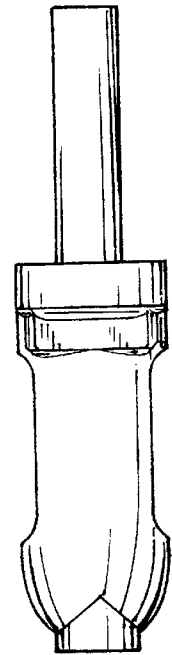


FIG. 8

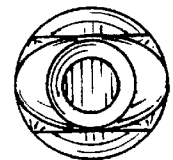


FIG. 10