

- [54] SUBSCRIBER NETWORK INTERFACE ENCLOSURE
- [75] Inventors: Anthony L. Nieves, Bradley Beach; Thomas J. Collins, Wall, both of N.J.
- [73] Assignee: Keptel, Inc., Tinton Falls, N.J.
- [**] Term: 14 Years
- [21] Appl. No.: 351,814
- [22] Filed: May 15, 1989
- [52] U.S. Cl. D13/184; D13/152
- [58] Field of Search D13/147, 152, 160, 184; D14/240, 256; 361/356, 358, 361, 362, 363, 376, 378, 425, 426, 428; 379/339, 412, 442; 174/66, 67, 70 B, 58

[56] **References Cited**
U.S. PATENT DOCUMENTS

D. 295,400	4/1988	Wung	D13/184 X
D. 297,136	7/1988	Collins et al.	D14/240
D. 299,130	12/1988	Smith et al.	D14/240
D. 304,339	10/1989	Collins et al.	D14/240
D. 312,460	11/1990	Smith	D14/240
4,698,727	10/1987	Hibbert et al.	361/356
4,729,059	3/1988	Wang	361/356
4,827,504	5/1989	Collins et al.	361/356 X
4,910,770	3/1990	Collins et al.	379/399

Primary Examiner—Susan J. Lucas

Assistant Examiner—J. Sincavage
Attorney, Agent, or Firm—R. Gale Rhodes, Jr.

[57] **CLAIM**

The ornamental design for a subscriber network interface enclosure, as shown and described.

DESCRIPTION

FIG. 1 is a front and upper left perspective view of a subscriber network interface enclosure showing my new design in a partially open position;
 FIG. 2 is a front elevational view of a subscriber network interface enclosure in the closed position shown on a slightly enlarged scale;
 FIG. 3 is a bottom plan view thereof;
 FIG. 4 is a right side elevational view thereof;
 FIG. 5 is a left side elevational view thereof;
 FIG. 6 is a top plan view thereof;
 FIG. 7 is a rear elevational view thereof;
 FIG. 8 is a front elevational view of a subscriber network interface enclosure showing my new design in the fully open position on a reduced scale. The broken line representation of the telephone terminals, protectors and individual subscriber line modules including jacks and plugs is shown for the purpose of illustrating environmental elements only and forms no part of the claimed design.
 FIG. 9 is a bottom plan view of a subscriber network interface enclosure showing my new design in a partially open position on the same scale as FIG. 2.

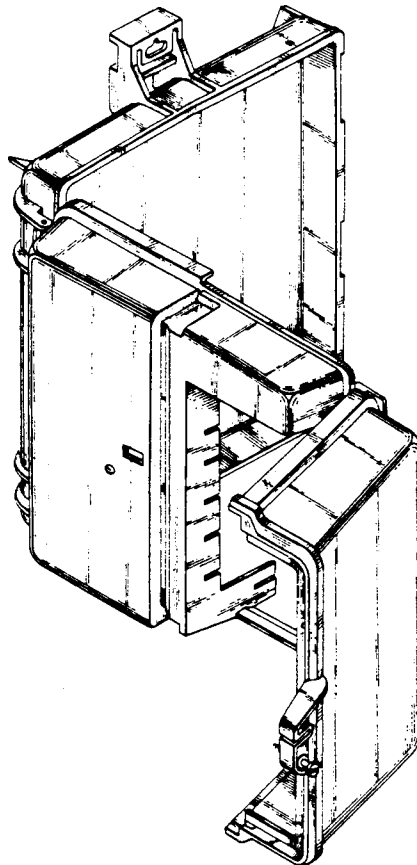


FIG. 1

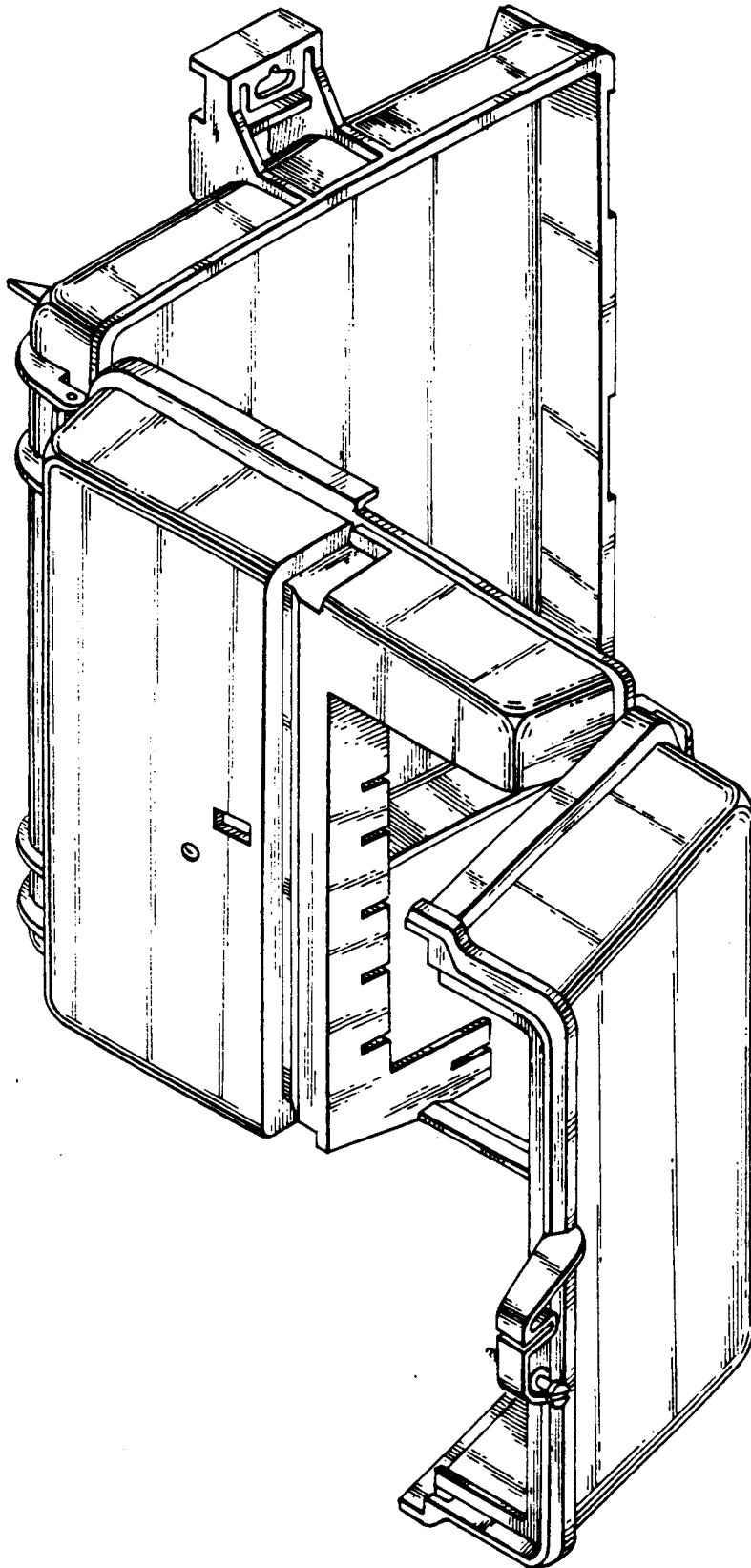


FIG. 2

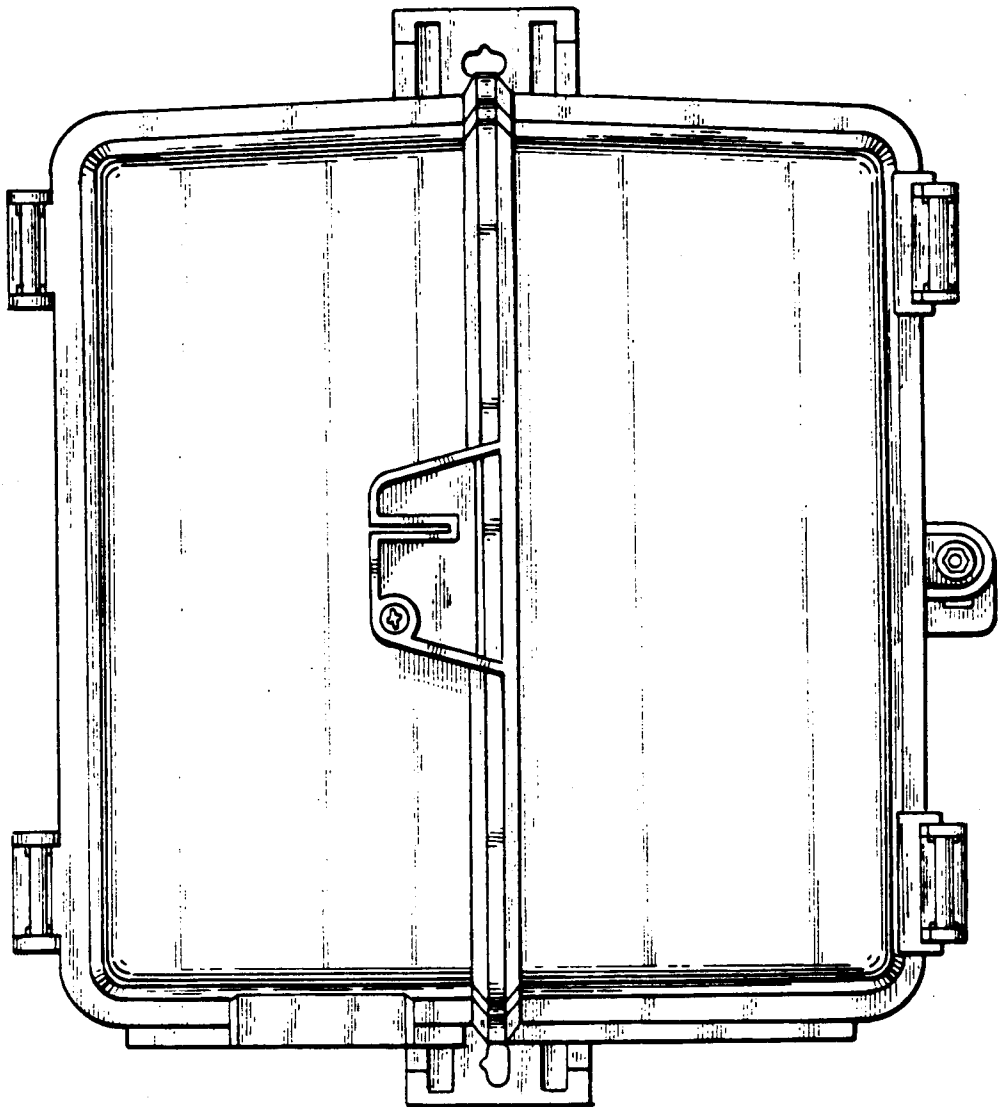


FIG. 3

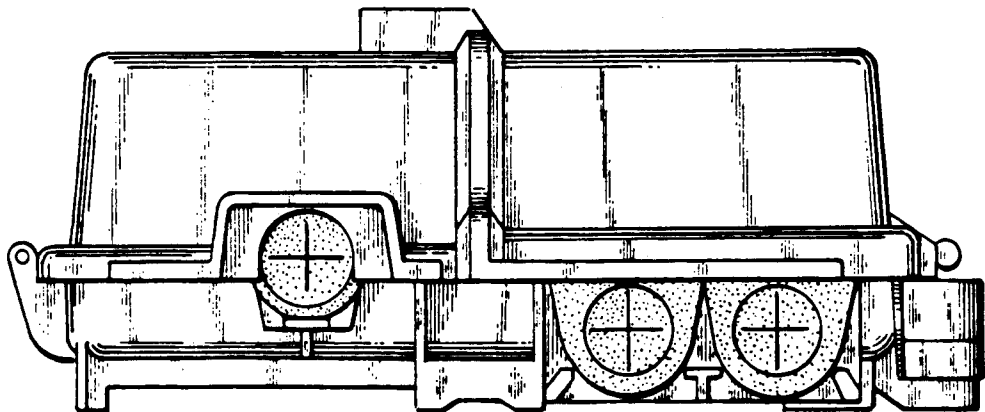


FIG. 5

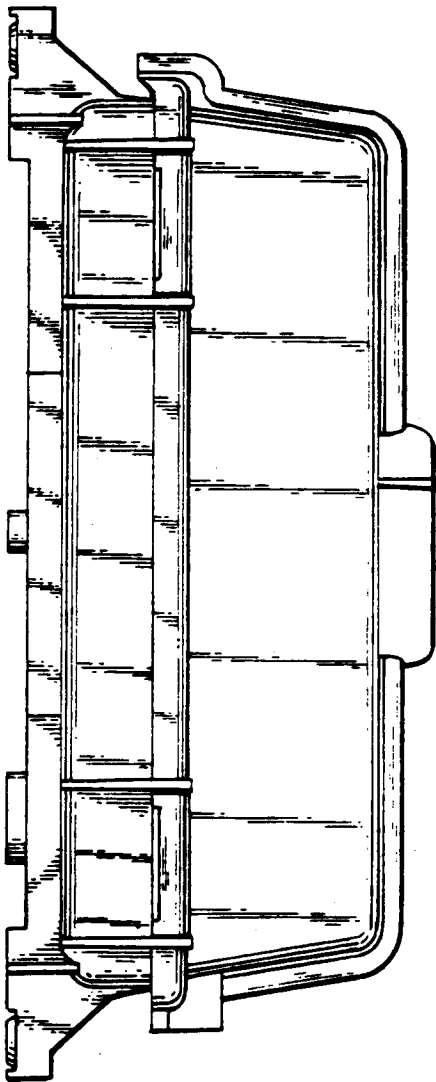


FIG. 4

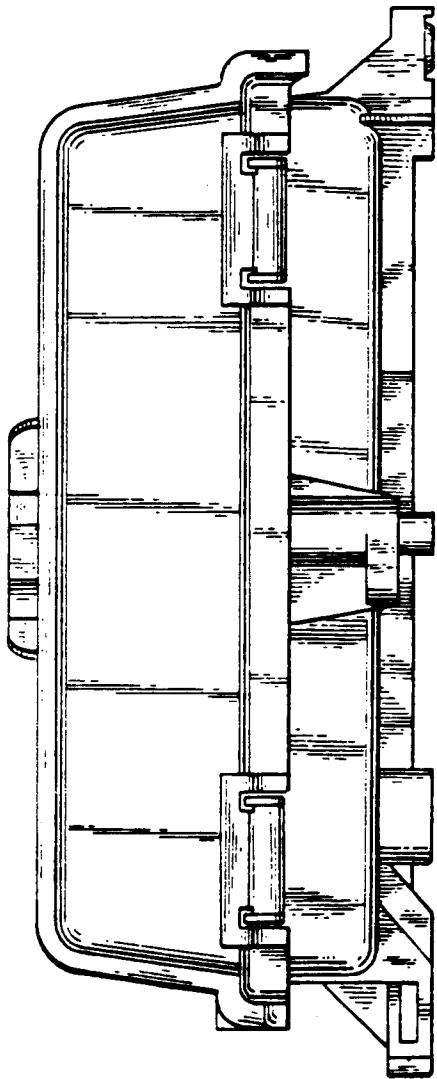


FIG. 6

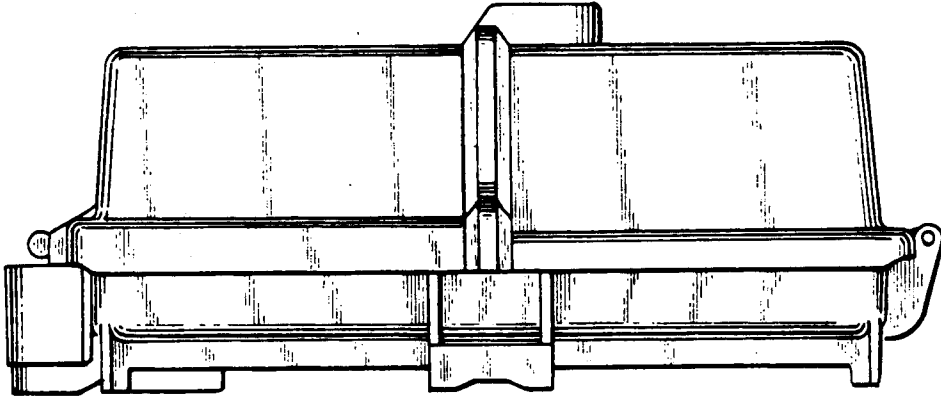


FIG. 7

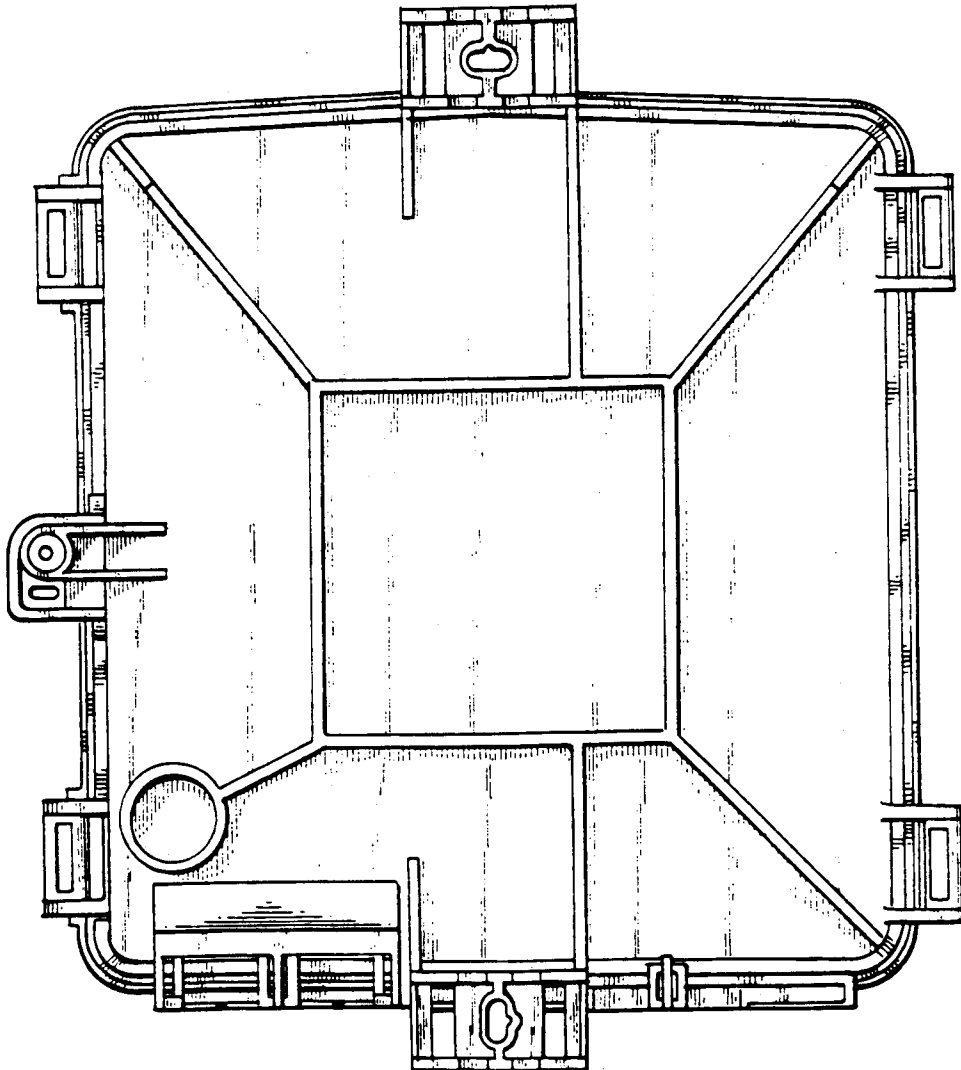


FIG. 8

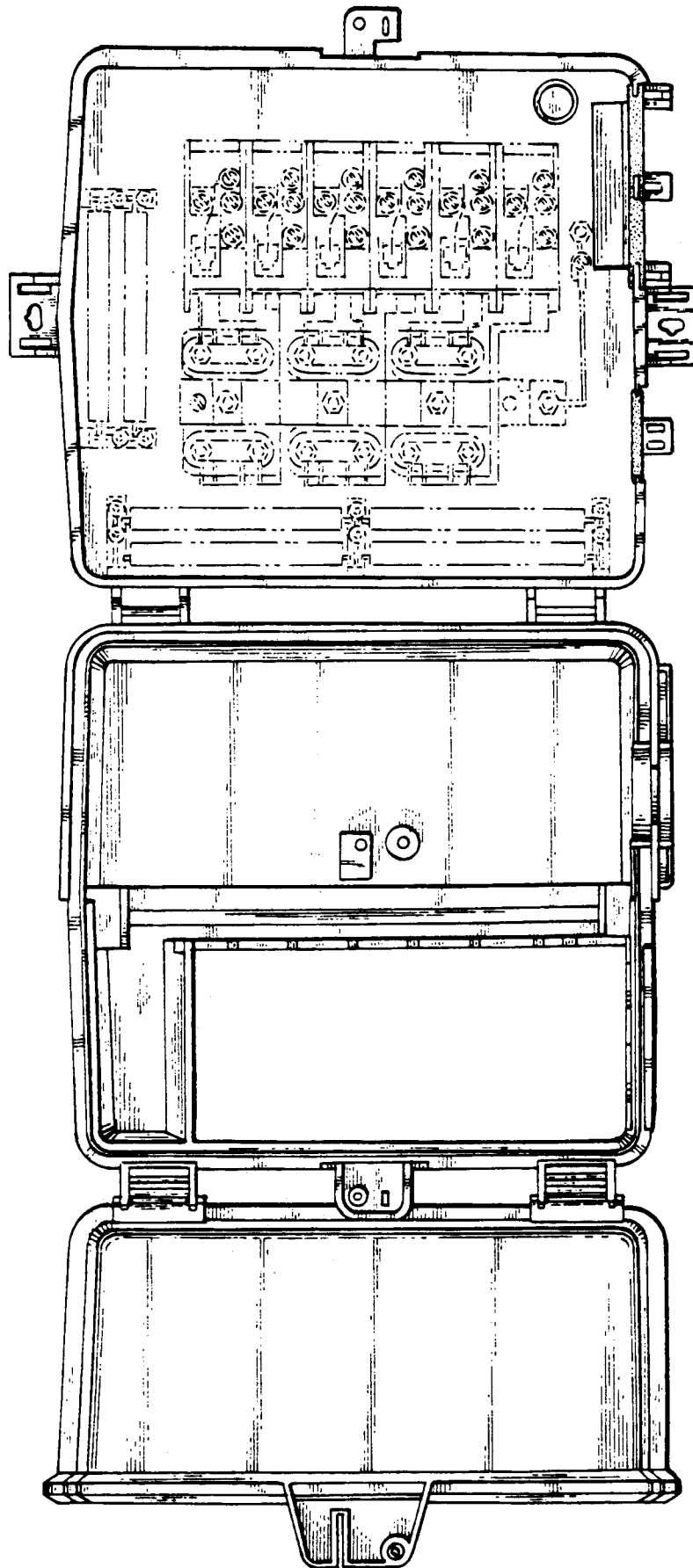


FIG. 9

