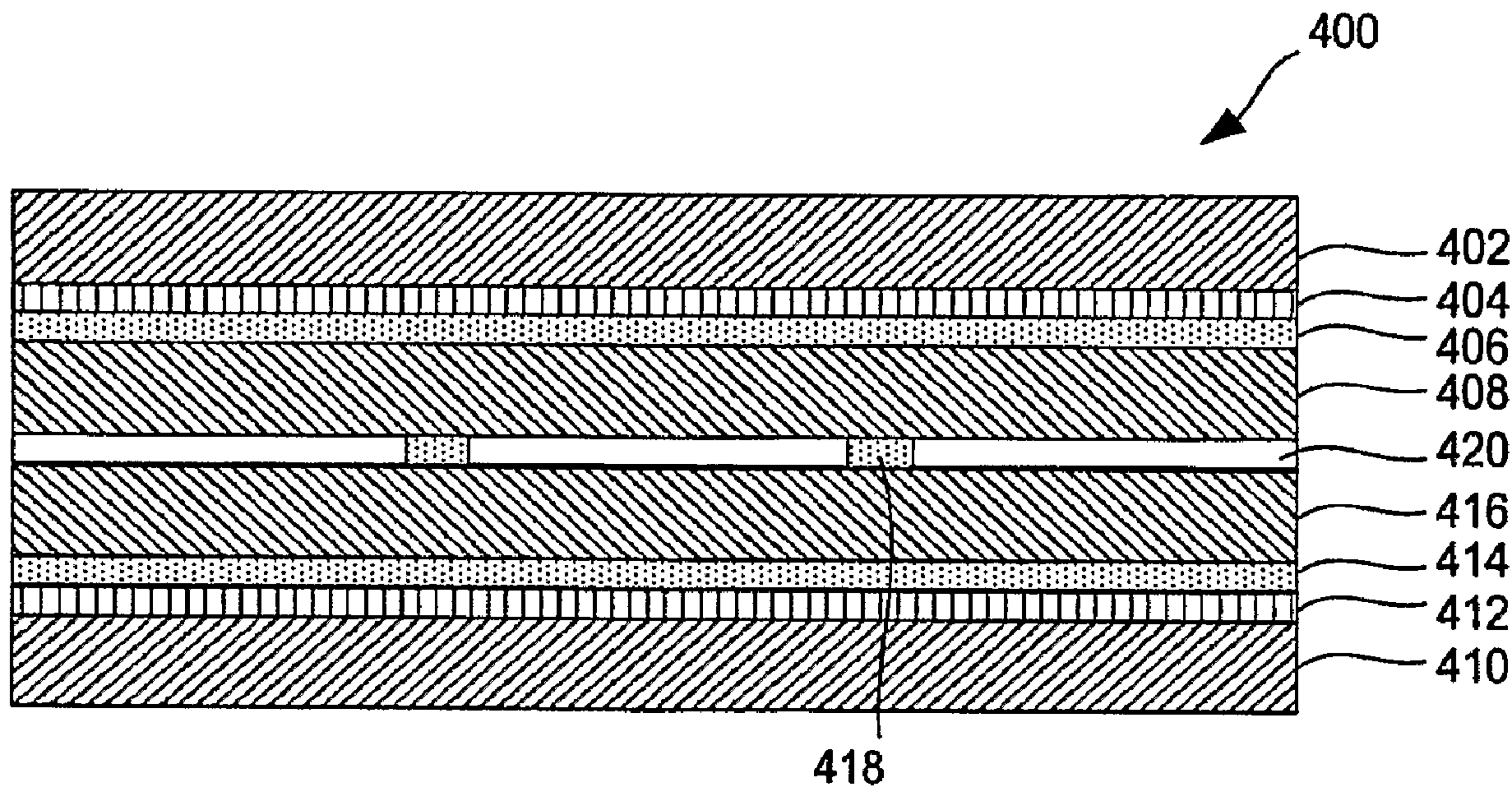




(86) Date de dépôt PCT/PCT Filing Date: 2007/05/10
 (87) Date publication PCT/PCT Publication Date: 2007/11/22
 (45) Date de délivrance/Issue Date: 2012/12/11
 (85) Entrée phase nationale/National Entry: 2008/10/23
 (86) N° demande PCT/PCT Application No.: US 2007/011348
 (87) N° publication PCT/PCT Publication No.: 2007/133659
 (30) Priorité/Priority: 2006/05/12 (US60/800,073)

(51) Cl.Int./Int.Cl. *B65D 81/34* (2006.01),
B65D 81/38 (2006.01)
 (72) Inventeurs/Inventors:
WNEK, PATRICK H., US;
COLE, LORIN R., US;
MIDDLETON, SCOTT W., US;
ROBISON, RICHARD G., US
 (73) Propriétaire/Owner:
GRAPHIC PACKAGING INTERNATIONAL, INC., US
 (74) Agent: MACRAE & CO.

(54) Titre : FEUILLE CHAUFFANTE INTERACTIVE POUR ENERGIE MICRO-ONDES
 (54) Title: MICROWAVE ENERGY INTERACTIVE HEATING SHEET



(57) Abrégé/Abstract:

A microwave energy interactive heating sheet (400) includes at least two susceptor layers (404, 412) and a plurality of expandable insulating cells (420). At least some of the expandable insulating cells inflate when exposed to microwave energy.

(12) INTERNATIONAL APPLICATION PUBLISHED UNDER THE PATENT COOPERATION TREATY (PCT)

(19) World Intellectual Property Organization
International Bureau(43) International Publication Date
22 November 2007 (22.11.2007)

PCT

(10) International Publication Number
WO 2007/133659 A3(51) International Patent Classification:
B65D 81/34 (2006.01) *B65D 81/38* (2006.01)

(74) Agents: ISAF, Louis, T. et al.; Womble Carlyle Sandridge & Rice, PLLC, P.O. Box 7037, Atlanta, GA 30357-0037 (US).

(21) International Application Number:
PCT/US2007/011348(81) Designated States (*unless otherwise indicated, for every kind of national protection available*): AE, AG, AL, AM, AT, AU, AZ, BA, BB, BG, BH, BR, BW, BY, BZ, CA, CH, CN, CO, CR, CU, CZ, DE, DK, DM, DZ, EC, EE, EG, ES, FI, GB, GD, GE, GH, GM, GT, HN, HR, HU, ID, IL, IN, IS, JP, KE, KG, KM, KN, KP, KR, KZ, LA, LC, LK, LR, LS, LT, LU, LY, MA, MD, ME, MG, MK, MN, MW, MX, MY, MZ, NA, NG, NI, NO, NZ, OM, PG, PH, PL, PT, RO, RS, RU, SC, SD, SE, SG, SK, SL, SM, SV, SY, TJ, TM, TN, TR, TT, TZ, UA, UG, US, UZ, VC, VN, ZA, ZM, ZW.

(22) International Filing Date: 10 May 2007 (10.05.2007)

(25) Filing Language: English

(26) Publication Language: English

(30) Priority Data:
60/800,073 12 May 2006 (12.05.2006) US(84) Designated States (*unless otherwise indicated, for every kind of regional protection available*): ARIPO (BW, GH, GM, KE, LS, MW, MZ, NA, SD, SL, SZ, TZ, UG, ZM, ZW), Eurasian (AM, AZ, BY, KG, KZ, MD, RU, TJ, TM), European (AT, BE, BG, CH, CY, CZ, DE, DK, EE, ES, FI, FR, GB, GR, HU, IE, IS, IT, LT, LU, LV, MC, MT, NL, PL, PT, RO, SE, SI, SK, TR), OAPI (BF, BJ, CF, CG, CI, CM, GA, GN, GQ, GW, ML, MR, NE, SN, TD, TG).

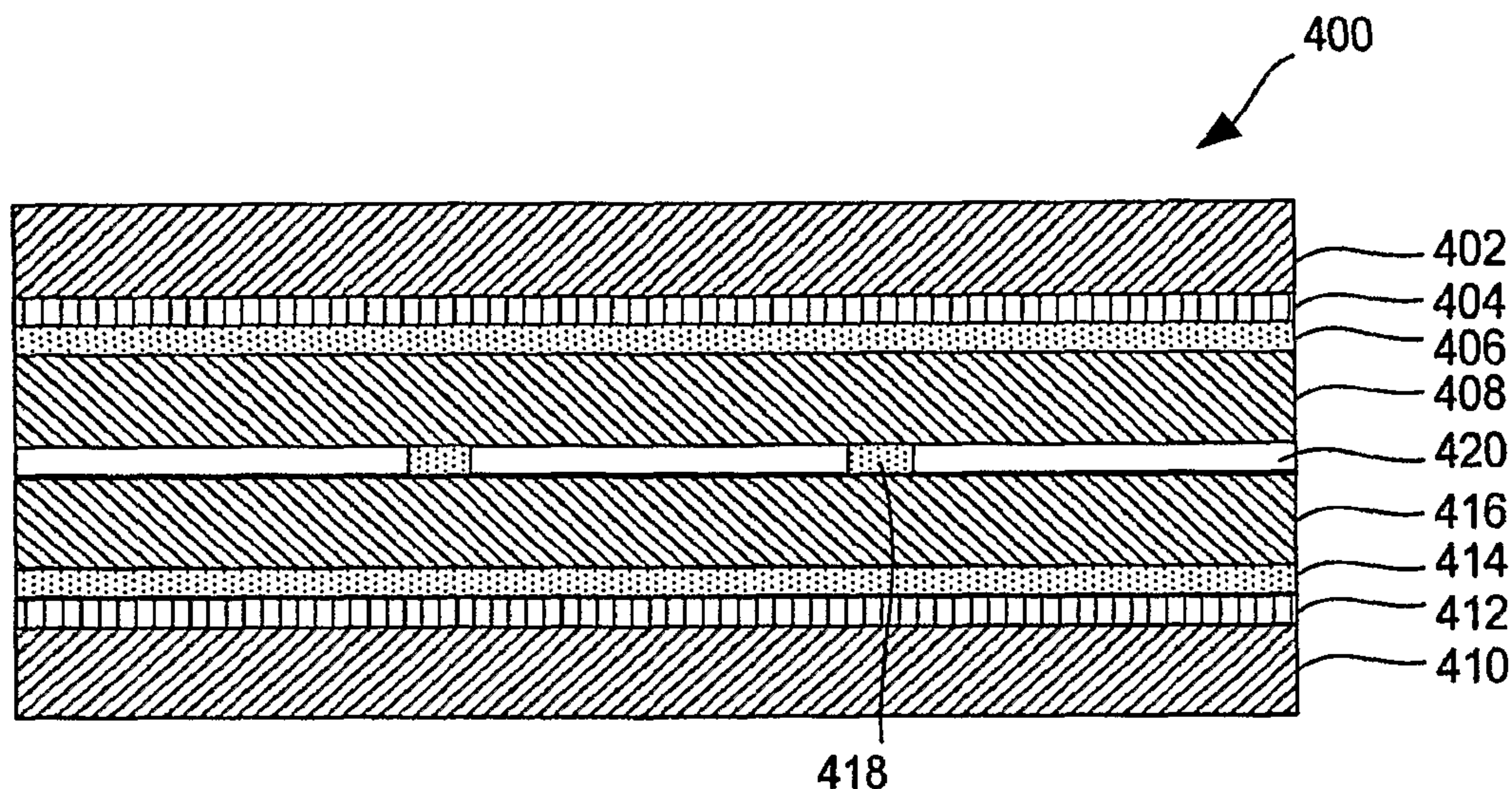
(71) Applicant: GRAPHIC PACKAGING INTERNATIONAL, INC. [US/US]; 814 Livingston Court, Marietta, GA 30067 (US).

Published:
— with international search report

(72) Inventors: WENK, Patrick, H.; N 7738 Sundown Court, Sherwood, Wisconsin 54169 (US). COLE, Lorin, R.; 8472 Samuel Drive, Larsen, WI 54947 (US). MID-LETON, Scott, W.; 3065 Pine Ridge Road, Oshkosh, Wisconsin 54904 (US). ROBISON, Richard, G.; 4532 North Marshall Heights Avenue, Appleton, Wisconsin 54915 (US).

(88) Date of publication of the international search report:
20 March 2008

(54) Title: MICROWAVE ENERGY INTERACTIVE HEATING SHEET



(57) Abstract: A microwave energy interactive heating sheet (400) includes at least two susceptor layers (404, 412) and a plurality of expandable insulating cells (420). At least some of the expandable insulating cells inflate when exposed to microwave energy.

 WO 2007/133659 A3

MICROWAVE ENERGY INTERACTIVE HEATING SHEET

5

TECHNICAL FIELD

The present invention relates to various materials, packages, constructs, and systems for heating or cooking a microwaveable food item. In particular, the invention relates to various materials, packages, constructs, and systems for heating, browning, and/or crisping a food item in a microwave oven.

10

BACKGROUND

Microwave ovens provide a convenient means for heating a variety of food items, including dough-based products such as pizzas and pies. However, microwave ovens tend to cook such items unevenly and are unable to achieve the desired balance of thorough heating and a browned, crisp crust. As such,

15

there is a continuing need for improved materials and packages that provide the desired degree of heating, browning, and/or crisping of food items in a microwave oven.

5

SUMMARY

The present invention is directed generally to various materials, sheets, constructs, packages, and systems that can provide improved heating, browning, and/or crisping of a dough-based food item in a microwave oven.

10 In one aspect, a material comprises a layered structure that at least partially insulates a food item from its environment.

In another aspect, a material comprises a layered structure that at least partially insulates a food item from its environment and that features improved browning and crisping thereof.

15 In yet another aspect, a packaging system includes a microwave interactive heating sheet that at least partially insulates a food item from its environment and that promotes browning and crisping of a food item heated thereon.

20 In another aspect, a microwave energy interactive heating sheet comprises at least two susceptor layers and a plurality of expandable insulating cells. At least some of the expandable insulating cells inflate when the microwave energy interactive heating sheet is exposed to microwave energy. Prior to exposure to microwave energy, the microwave energy interactive heating sheet may be substantially planar. After sufficient exposure to microwave energy, the microwave energy interactive heating sheet has a multi-
25 dimensional, lofted shape.

In one variation of this aspect, the microwave energy interactive heating sheet includes a first surface intended to be contacted by a food item desired to be browned and/or crisped, and at least one of the susceptor layers is proximate the first surface. In another variation, the susceptor layers include a first

susceptor layer and a second susceptor layer, and the microwave energy interactive heating sheet further comprises, in a layered configuration: a first polymer film layer, the first susceptor layer, a first moisture-containing layer, a patterned adhesive layer, a second moisture-containing layer, the second
5 susceptor layer, and a second polymer film layer. The patterned adhesive layer defines the plurality of expandable insulating cells between the first moisture-containing layer and the second moisture-containing layer.

In another aspect, a microwave energy interactive heating sheet comprises a first ply of microwave energy interactive insulating material and a
10 second ply of microwave energy interactive insulating material in a layered configuration. The first ply of microwave energy interactive insulating material includes a layer of microwave energy interactive material that converts microwave energy to thermal energy, a moisture-containing layer at least partially joined to the layer of microwave energy interactive material, and a
15 polymer film layer joined to the moisture-containing layer in a predetermined pattern, thereby defining a plurality of expandable insulating cells between the moisture-containing layer and the polymer film layer.

In one variation, the first and second plies of microwave energy interactive insulating material are at least partially joined. In another variation,
20 the first and second plies of microwave energy interactive insulating material are at least partially joined along respective peripheral edges of the first ply and second ply to define an interior space for receiving a food item.

In yet another variation, the heating sheet has a surface intended to be in contact with a food item, where the layer of microwave energy interactive
25 material that converts microwave energy to thermal energy is proximate the first surface.

In still another variation, the microwave energy interactive heating sheet is combined with a dimensionally stable construct, where the dimensionally stable construct includes a first surface and a second surface opposite the first

surface, the first surface is intended to be in contact with a food item, and the second surface is intended to be in contact with the microwave energy interactive heating sheet.

In yet another variation, the second ply of microwave energy interactive insulating material includes a layer of microwave energy interactive material that converts microwave energy to thermal energy, a moisture-containing layer at least partially joined to the layer of microwave energy interactive material, and a polymer film layer joined to the moisture-containing layer in a predetermined pattern, thereby defining a plurality of expandable insulating cells between the moisture-containing layer and the polymer film layer.

In another aspect, a microwave energy interactive heating sheet comprises at least two plies of a microwave energy interactive insulating material arranged in a superposed, layered configuration. Each ply of microwave energy interactive insulating material includes a susceptor film comprising a microwave energy interactive material supported on a first polymer film layer, a moisture-containing layer superposed with the microwave energy interactive material, and a second polymer film layer joined to the moisture-containing layer in a predetermined pattern, thereby defining a plurality of expandable insulating cells between the moisture-containing layer and the second polymer film layer. At least some of the expandable insulating cells inflate when the microwave energy interactive heating sheet is exposed to microwave energy.

If desired, the plies may be at least partially joined to one another. In one example, the plies of microwave energy interactive insulating material include a first ply and a second ply, and the first ply and the second ply are at least partially joined along respective peripheral edges of the first ply and the second ply to define a cavity for receiving a food item.

In one variation, the microwave energy interactive heating sheet has a surface intended to be in contact with a food item, and the susceptor film layer in one of the plies is proximate the first surface.

5 In another variation, the microwave energy interactive heating sheet is combined with a dimensionally stable construct, where the dimensionally stable construct includes a first surface and a second surface opposite the first surface, the first surface is intended to be in contact with a food item, and the second surface is intended to be in contact with the microwave energy interactive heating sheet.

10 In yet another variation, the microwave energy interactive heating sheet is combined with a dimensionally stable construct in a packaging arrangement in which the microwave energy interactive heating sheet overlies the food item, and the food item overlies the dimensionally stable construct. If desired, information about the food item may be printed on the microwave energy interactive heating sheet. Further, if desired, the microwave energy interactive heating sheet may be
15 folded one or more times for use in the packaging arrangement.

In a further aspect, a package for a microwavable food item comprises a pair of separably joined, opposed panels that at least partially define a cavity for receiving a food item. Upon removal of the food item from the cavity, the panels
20 can be reconfigured to form a microwave energy interactive heating sheet that collectively includes at least two susceptor layers and at least one layer of expandable insulating cells.

According to one aspect of the present invention there is provided a package for heating a food item in a microwave oven, comprising a pair of
25 adjoined panels defining a cavity for receiving a food item, each of the adjoined panels including a layer of microwave energy interactive material supported on a first polymer film, the layer of microwave energy interactive material being adapted to convert at least a portion of impinging microwave energy into thermal energy, a moisture-containing layer joined to the layer of microwave energy interactive material, and a second polymer film joined to the moisture-containing
30 layer, thereby forming a plurality of expandable cells between the moisture-containing layer and the second polymer film layer, the expandable cells being adapted to inflate in response to microwave energy, wherein in a first

configuration with the food item in the cavity, the package serves as a container for the food item, and in a second configuration with the food item removed from the cavity and the panels arranged in a substantially superposed, substantially contacting relationship with one another, the package serves as a heating sheet on which the food item is seated for heating in the microwave oven.

According to a further aspect of the present invention there is provided a method of heating, browning, and/or crisping a food item in a microwave oven, comprising: providing a package including a pair of adjoined panels defining a cavity for receiving the food item, each of the adjoined panels comprising a layer of microwave energy interactive material supported on a first polymer film, the layer of microwave energy interactive material being adapted to convert at least a portion of impinging microwave energy into thermal energy, a moisture-containing layer joined to the layer of microwave energy interactive material, and a second polymer film joined to the moisture-containing layer, thereby forming a plurality of expandable cells between the moisture-containing layer and the second polymer film layer; removing the food item from the cavity; arranging the panels in a substantially superposed, substantially contacting relationship with one another to form a heating sheet; placing the food item on the heating sheet; and exposing the food item on the heating sheet to microwave energy, thereby causing the expandable cells to inflate.

According to another aspect of the present invention there is provided a method comprising: placing a food item on a food-contacting side of a microwave heating sheet, the food item including a bottom portion having a periphery and an area, and a vertical portion extending upwardly from the periphery of the bottom portion, the vertical portion being intended to be browned and/or crisped wherein the microwave heating sheet has an area that is greater than the area of the bottom portion of the food item, so that placing the food item on the microwave heating sheet defines a marginal area of the microwave heating sheet uncovered by the food item, the microwave heating sheet comprising at least two susceptors, each susceptor comprising a layer of microwave energy interactive material operative for converting at least a portion of impinging microwave energy into thermal energy, and a plurality of substantially closed cells operative for inflating in response to microwave energy; and exposing the food item on the microwave

heating sheet to microwave energy, thereby inflating the closed cells and bringing the marginal area of the microwave heating sheet into closer proximity with the vertical portion of the food item.

5 According to a still further aspect of the present invention there is provided a microwave energy interactive heating sheet comprising at least two plies of a microwave energy interactive insulating material arranged in a superposed, layered configuration, wherein each ply of microwave energy interactive insulating material includes a susceptor film comprising a microwave energy interactive material supported on a first polymer film layer, a moisture-
10 containing layer superposed with the microwave energy interactive material, and a second polymer film layer joined to the moisture-containing layer in a predetermined pattern, thereby defining a plurality of expandable insulating cells between the moisture-containing layer and the second polymer film layer, wherein at least some of the expandable insulating cells are configured to inflate
15 when the microwave energy interactive heating sheet is exposed to microwave energy.

According to another aspect of the present invention there is provided a microwave energy interactive heating sheet comprising at least two plies of microwave energy interactive insulating material arranged in a superposed,
20 layered configuration, wherein each ply of microwave energy interactive insulating material includes a susceptor film comprising microwave energy interactive material supported on a first polymer film, a support layer joined to the microwave energy interactive material, the support layer comprising a material selected from the group consisting of paper, paperboard, and polymer film, and a
25 second polymer film joined to the support layer such that the support layer is positioned between the microwave energy interactive material and the second polymer film, the second polymer film being selectively joined to the support to define at least one closed cell between the support layer and the second polymer film layer, wherein the closed cell is operative for inflating in response to
30 sufficient exposure to microwave energy.

According to one aspect of the present invention there is provided a microwave heating sheet comprising at least two layers of microwave energy

interactive insulating material joined to one another, the at least two layers of microwave energy interactive insulating material each comprising microwave energy interactive material supported on a first polymer film layer, a support layer joined to the microwave energy interactive material, and a second polymer film layer joined to the support layer in a predetermined pattern, so that a plurality of expandable cells are defined between the support layer and the second polymer film layer, wherein the expandable cells are operative for inflating upon sufficient exposure to microwave energy.

According to a further aspect of the present invention there is provided a microwave heating sheet, in combination with a food item and a dimensionally stable component in a packaging arrangement, the microwave heating sheet comprising a plurality of layers of microwave energy interactive insulating material joined to one another, the plurality of layers of microwave energy interactive insulating material each comprising a layer of microwave energy interactive material supported on a first polymer film layer, the layer of microwave energy interactive material being operative for converting microwave energy to heat, a support layer joined to the microwave energy interactive material, and a second polymer film layer joined to the support layer in a predetermined pattern, so that a plurality of expandable cells are defined between the support layer and the second polymer film layer, wherein the expandable cells are operative for inflating upon sufficient exposure to microwave energy.

Other aspects, features, and advantages of the present invention will become apparent from the following description and accompanying figures.

BRIEF DESCRIPTION OF THE DRAWINGS

The description refers to the accompanying schematic drawings in which like reference characters refer to like parts throughout the several views, and in which:

5 **FIG. 1A** is a schematic perspective view of an exemplary microwave energy interactive, single ply heating sheet according to various aspects of the invention;

10 **FIG. 1B** is a schematic, partially cutaway, perspective view of an exemplary microwave energy interactive, multi-ply heating sheet according to various aspects of the invention;

FIG. 1C is a schematic cross-sectional view of the exemplary microwave energy interactive heating sheet of **FIG. 1B** taken along a line **1C-1C**, after exposure to microwave energy;

15 **FIGS. 1D-1F** are schematic, exploded perspective views of various packaging arrangements of a food item, dimensionally stable disk, and heating sheet, according to various aspects of the invention;

FIG. 1G is a schematic perspective view of the packaging components illustrated in **FIG. 1F** in a stacked configuration and enclosed by a film overwrap;

20 **FIG. 1H** is a schematic cross-sectional view of a food item seated on a microwave heating sheet, after exposure to microwave energy;

FIGS. 1J-1L are schematic, exploded perspective views of various packaging arrangements of a food item, dimensionally stable disk, and folded heating sheet, according to various aspects of the invention;

25 **FIG. 1M** is a schematic cross-sectional view of an exemplary package for a food item, where the package may be used to form a heating sheet, according to various aspects of the invention;

FIG. 1N is a schematic cross-sectional view of the package of **FIG. 1M** in a partially open configuration;

FIG. 1P is a schematic cross-sectional view of the package of **FIG. 1M**, formed into a multi-ply heating sheet with the food item thereon;

FIG. 1Q is a schematic cross-sectional view of the heating sheet of **FIG. 1P**, after exposure to microwave energy;

5 **FIG. 1R** is a schematic cross-sectional view of the package of **FIG. 1M**, formed from a material folded over onto itself;

FIG. 2A is a schematic cross-sectional view of an exemplary microwave energy interactive insulating material that may be used in accordance with various aspects of the invention;

10 **FIG. 2B** is a schematic perspective view of the microwave energy interactive insulating material of **FIG. 2A**, in the form of a cut sheet;

FIG. 2C is a schematic perspective view of the microwave energy interactive insulating material of **FIG. 2B**, after sufficient exposure to microwave energy;

15 **FIG. 2D** is a schematic cross-sectional view of a variation of the exemplary microwave energy interactive insulating material of **FIG. 2A**;

FIGS. 3-12 are schematic cross-sectional views of other exemplary microwave energy interactive insulating materials that may be used in accordance with various aspects of the invention;

20 **FIG. 13A** is a schematic cross-sectional view of yet another exemplary microwave energy interactive insulating material that may be used in accordance with various aspects of the invention; and

FIG. 13B is a schematic perspective view of the microwave energy interactive insulating material of **FIG. 13A**, after sufficient exposure to
25 microwave energy.

DESCRIPTION

The present invention relates generally to various materials, constructs, packages, and systems for microwave cooking of food items, and methods of

making such materials and packages. Although several different aspects, implementations, and embodiments of the various inventions are provided, numerous interrelationships between, combinations thereof, and modifications of the various inventions, aspects, implementations, and embodiments of the inventions are contemplated hereby.

In one aspect, the invention is directed to a microwave energy interactive heating sheet ("heating sheet") that enhances the heating, browning, and/or crisping of a food item. The heating sheet may be provided with a particular food item or may be provided as a stand-alone product available for purchase without a particular food item.

The heating sheet generally includes at least two layers of microwave energy interactive material and at least one layer of expandable insulating cells. Each layer of microwave energy interactive material generally serves as a susceptor that absorbs microwave energy and converts it to thermal energy, which then can be transferred to an adjacent food item. As a result, the heating, browning, and/or crisping of the food item may be enhanced. Thus, stated otherwise, the heating sheet may generally include at least two susceptors and at least one layer of expandable insulating cells. The expandable insulating cells, which inflate upon sufficient exposure to microwave energy, provide thermal insulation that reduces loss of heat generated by the susceptors to the ambient heating environment.

The heating sheet may be formed as a unitary structure including multiple layers of different materials, or may be formed as a composite of multiple, pre-formed structures, each structure forming a ply of the heating sheet. The structures or plies may be joined partially or completely, or may remain separate.

One structure that may be suitable for use with the present invention is a microwave energy interactive insulating material. As used herein, the term "microwave energy interactive insulating material" (or "insulating material" or

“insulating structure”) refers any combination of layers of materials that both is responsive to microwave energy and is capable of providing some degree of thermal insulation when used to heat a food item. The various insulating materials alter the effect of microwave energy to enhance the heating, browning, and/or crisping of an adjacent food item, and provide thermal insulation to prevent loss of thermal energy to the ambient heating environment.

In one aspect, the insulating material comprises one or more susceptor layers in combination with one or more expandable insulating cells. Such materials sometimes may be referred to herein as “expandable cell insulating materials”. Additionally, the insulating material may include one or more microwave energy transparent or inactive materials to provide dimensional stability, to improve ease of handling the microwave energy interactive material, and/or to prevent contact between the microwave energy interactive material and the food item. Thus, for example, the heating sheet may comprise a susceptor, a microwave energy interactive insulating material, a multi-layer susceptor material, a multi-layer microwave energy interactive insulating material, any other microwave energy interactive element, or any combination thereof.

In one particular example, the heating sheet may comprise a susceptor in combination with an expandable cell insulating material that also includes a susceptor. In another particular example, the heating sheet may comprise a plurality of pre-formed expandable insulating cell materials arranged in a stacked configuration, each of which includes at least one susceptor and at least one layer of expandable insulating cells. In still another particular example, the heating sheet may comprise a unitary structure including at least two susceptor layers and at least one layer of expandable insulating cells.

In another aspect, the invention is directed to a pouch, sleeve, or other package comprising a pair of opposed panels, where the combination of the

panels includes at least two susceptor layers and at least one layer of expandable insulating cells. In accordance with one acceptable method, prior to heating, the food item may be removed from the pouch, sleeve, or other package and the opposed panels are arranged in a superposed configuration to
5 form a heating sheet.

Various aspects of the invention may be illustrated by referring to **FIGS. 1A-13B**. For purposes of simplicity, like numerals may be used to describe like features. It will be understood that where a plurality of similar features are depicted, not all of such features are necessarily labeled on each
10 figure. While various exemplary embodiments are shown and described in detail herein, it also will be understood that any of the features may be used in any combination, and that such combinations are contemplated hereby.

FIGS. 1A and **1B** illustrate exemplary heating sheets **100a**, **100b** according to various aspects of the invention. In this example, the heating sheets **100a**, **100b** are substantially circular in shape, suitable for use with, for
15 example, a pizza. However, any of the heating sheets or other constructs described herein or contemplated hereby may have any regular or irregular shape, for example, square, triangular, rectangular, or oval, as needed or desired for a particular food item or heating application. The heating sheet
20 generally is dimensioned to be capable of contacting substantially the entire area to be heated, browned, and/or crisped. Thus, for example, where the food item is a circular pizza and the crust is to be browned and/or crisped, the heating sheet may be sized similarly to that of the pizza dough that forms the
crust.

25 The heating sheet **100a** may have a unitary, multi-layered, single ply **102** construction, as shown in **FIG. 1A**. Alternatively, the heating sheet **100b** may comprise multiple plies **102**, **104**, each including one or more layers of various materials, as shown in **FIG. 1B**. Other constructions with additional plies are contemplated by the invention.

The construction **100a** of **FIG. 1A** includes a plurality of layers (hidden from view), including at least two susceptor layers, at least one layer of expandable insulating cells **106** (indicated schematically with dashed lines), and optionally, various additional layers. Several examples of acceptable heating sheet **100a** constructions are shown in **FIGS. 4-12**, which are discussed in detail below. Each of such constructions includes at least two susceptor layers (e.g., layers **202**, **304**, **404**, **412**), at least one layer of expandable insulating cells (e.g., layers **214**, **318**, **420**), and various additional layers. Other examples of acceptable constructions are contemplated hereby.

In the construction **100b** of **FIG. 1B** (shown schematically with the top layer **102** partially cutaway), at least one ply **102**, **104** includes a layer of expandable insulating cells, and in this example, both plies **102**, **104** include a plurality of expandable insulating cells **106** (indicated schematically with dashed lines). One or both of plies **102**, **104** includes at least one susceptor layer, such that the heating sheet **100b** includes at least two susceptor layers and at least one layer of expandable insulating cells **106**. Each ply **102**, **104** also may include other layers.

By way of example, the various structures illustrated in **FIGS. 2A-13B** provide examples of acceptable constructions for each of the plies **102**, **104**. Each of such structures includes at least one susceptor layer (e.g. layers **202**, **304**, **404**, **412**, **1302**) and at least one layer of expandable insulating cells (e.g., layers **214**, **318**, **420**, **1314**). As will be discussed in detail below, some of such structures include only one susceptor layer. Such structures may be used in combination with one or more other structures, at least one of which includes a susceptor layer, to form a heating sheet **100b** according to the invention.

As will be understood by those in the art, the plies **102**, **104** may remain separate or may be joined partially or completely using any suitable process or technique, for example, thermal bonding, adhesive bonding, ultrasonic bonding or welding, mechanical fastening, or any combination thereof.

Regardless of the number of plies and manner of construction, the heating sheets **100a**, **100b** include at least two susceptor layers and at least one expandable insulating cell layer. Upon sufficient exposure to microwave energy, the expandable insulating cells **106** inflate to form a structure having a somewhat quilted or lofted appearance, as shown, for example, in schematic cross-sectional view in **FIG. 1C**. It is noted that, two rows of expandable insulating cells **106** are shown in an inflated state in **FIG. 1C**. However, a structure with only one layer, or with more than two layers, would only include one row or layer of inflated insulating cells, or more than two rows or layers as appropriate, respectively.

The actual appearance of the inflated structure may vary depending on numerous factors including, but not limited to, whether and to what extent the layers are joined, the size of the insulating cells, the number of layers of insulating cells, and the particular microwave oven and food item used. In any case, the heating sheet of the invention may be used in numerous ways to enhance the heating, browning, and crisping of the food item, as will be discussed further below.

The heating sheet **100a** or **100b** may be provided to the user as a stand-alone product or may be provided with a food item. **FIGS. 1D-1F** schematically illustrate (in exploded views) several examples of packaging configurations including a heating sheet **100b** according to the invention, a food item **F**, and a dimensionally stable construct, in this example, disk **108**. It will be understood that such packaging configurations of the invention also may be used with heating sheet **100a**.

The disk **108** may be formed of any suitable material, for example, a paperboard, corrugated board, a polymer or polymeric material, or any combination thereof. If desired, the disk may include one or more microwave energy interactive elements including, but not limited to, those described herein. In one particular example, a susceptor or susceptor film (not shown)

overlies and is at least partially joined to the disk to further enhance the heating, browning, and or crisping of the food item.

Although the heating sheet **100b** and disk **108** are illustrated as being separate components, it will be understood that the heating sheet **100b** may be
5 separate from the disk **108**, may be partially joined to the disk **108**, or may be completely joined to the disk **108**, as needed or desired for the particular application. Where the heating sheet **100b** and disk **108** are at least partially joined, such a structure may be referred to generally as a “heating disk”.

In **FIG. 1D**, the heating sheet **100b** lies between the food item **F** and the
10 disk **108**. In **FIG. 1E**, the heating sheet **100b** lies beneath the disk **108**. In **FIG. 1F**, the heating sheet **100b** overlies the food item **F**. In such a case, the heating sheet **100b** may include product information, heating instructions, nutritional information, or any other information if desired. In the example provided in **FIG. 1F**, the product identifier “PIZZA” is printed on the heating
15 sheet **100b**. Such information may be visible through an optional overwrap **110**, as illustrated schematically in **FIG. 1G**.

It will be understood that while the dimensionally stable construct in the above examples is a substantially circular disk **108**, the dimensionally stable construct may have any suitable shape, for example, square, rectangular,
20 triangular, or any other regular or irregular shape. Furthermore, the dimensionally stable construct may comprise a platform with one or more support elements or “legs” that are capable of supporting the platform a desired distance from the floor of the microwave oven. The heating sheet **100a**, **100b** may be joined to the platform or may be a separate sheet.

25 Further, while several examples are provided herein, it will be understood that the heating sheets **100a**, **100b** may be used in numerous other packaging configurations, with or without a food item **F** and/or dimensionally stable disk **108**, and may include other components, for example, instruction sheets, seasoning packets, condiments, utensils, and so forth. In some

examples, the food item **F** and heating sheet **100a** or **100b** are placed into an outer carton (not shown) or wrapper without the dimensionally stable disk **108**. In still other examples, the various components may be wrapped individually or collectively with an overwrap **110** or wrapper (schematically represented in **FIG. 1G**), which is typically a polymer film. Any such overwrap, for example, overwrap **110**, is typically removed prior to heating the food item **F**.

The heating sheets **100a**, **100b** may be used in various ways and according to various methods, depending on the desired level of heating, browning, and/or crisping for the particular food item. In one example, the user may be instructed to position the food item **F** on the heating sheet **100a** or **100b**, such that the heating sheet **100a** or **100b** is seated on the floor or turntable (generally "floor") of the microwave oven (not shown). Alternatively, if a paperboard or corrugated disk **108** is provided, the user may be instructed to place the food item **F** on the heating sheet **100a** or **100b**, and the heating sheet **100a** or **100b** on the disk **108**, so that the disk **108** is seated on the floor of the microwave oven (not shown).

In either example, as microwave energy impinges the heating sheet **100a**, **100b**, the expandable cells **106** inflate and urge one or both susceptor layers within the heating sheet **100a**, **100b** (see, e.g, susceptor layers in **FIGS. 2A-13B**) towards the surface of the food item **F**. In doing so, the heating, browning, and/or crisping of the food item **F** may be enhanced. Further, the inflated insulating cells **106** minimize loss of heat from the susceptors to the ambient heating environment, thereby further enhancing the heating, browning, and/or crisping of the food item.

In another example, the user may be instructed to place the food item **F** on the disk **108**, and the heating sheet **100a** or **100b** beneath the disk **108**, such that the heating sheet **100a** or **100b** is seated on the floor of the microwave oven (not shown). In such an instance, the heating sheet **100a**, **100b** serves primarily to elevate the food item **F**. Such instructions may be provided where,

for example, the disk **108** includes a susceptor or other microwave energy interactive element. By elevating the disk **108**, and therefore, the susceptor overlying the disk **108**, more of the heat generated by the susceptor overlying the disk **108** can be transferred to the food item **F** instead of being lost by
5 conduction to the floor of the microwave oven. Additionally, some of the heat generated by the susceptors within the heating sheet **100a**, **100b** may be transferred to the susceptor on the disk **108** and to the food item **F** seated on the disk **108**.

It will be understood that, in some instances, it may be beneficial to use
10 a heating sheet **100a**, **100b** that has an area greater than the base area of the food item to be heated. Using such an "oversized" heating sheet **100a**, **100b** may be beneficial if the food item has a vertical dimension or component that is desired to be browned and/or crisped. For instance, where the food item **F** to be heated is a pizza having a thick crust, it may be beneficial to provide a
15 heating sheet **100a**, **100b** that is sufficiently large to permit the inflating expandable cells **106** to wrap upwardly around the periphery of the crust, as illustrated schematically in **FIG. 1H** with a heating sheet **100a** including one layer of expandable insulating cells **106**. In doing so, at least one susceptor within the heating sheet **100a**, **100b** may be brought into closer proximity to
20 the peripheral crust to improve browning and/or crisping thereof.

As such, in other exemplary packaging arrangements illustrated in **FIGS. 1J-1L** (in exploded views), the "footprint" of the heating sheet **100b** is reduced by folding the heating sheet **100b** one or more times prior to packaging. It will be understood that such arrangements also may be used with
25 heating sheet **100a** according to the invention.

For example, in **FIG. 1J**, the heating sheet **100b** is folded into one-quarter its original size and placed between the food item **F** and disk **108**. In **FIG. 1K**, the folded heating sheet **100b** is placed beneath or behind the disk **108**, distal the food item **F**. In **FIG. 1L**, the folded heating sheet **100b** overlies

the food item seated on the disk 108. In such an example, the heating sheet 100b may be printed with full color graphics and may provide product information, heating instructions, nutritional information, or any other information, in the same manner discussed in connection with FIGS. 1F and
5 1G.

In still other exemplary package configurations depicted schematically in FIGS. 1M-1Q, the first or top ply 102 and the second or bottom ply 104 of the insulating sheet 100b of FIG. 1B collectively serve as an overwrap 112 for the food item F. The top and bottom plies 102, 104 are joined along at least a
10 portion of respective peripheral edges 114, 116 to form a cavity or interior space 118 for receiving the food item F. The plies 102, 104 may be joined in any suitable manner, for example, heat sealing, adhesives, or any other chemical or mechanical means. In accordance with one acceptable method, prior to heating the food item F, at least a portion of the joined peripheral areas
15 or edges 114, 116 may be opened to separate the two layers 102, 104 as needed to remove the food item F from the interior space 118, as shown in FIG. 1N. The plies 102, 104 then may be repositioned in a superposed relationship, optionally still partially joined to one another, and the food item may be positioned on the heating sheet 100b, as shown in FIG. 1P.

20 Upon exposure to microwave energy, the expandable cells 106 inflate, as described previously (FIG. 1Q). Since the heating sheet 100b is generally greater in dimensions (e.g., length and width) than the food item F, at least a portion of the peripheral area or edges 114, 116 of the heating sheet 100b may tend to bulge upwardly along the sides of the food item F, thereby bringing the
25 susceptor in the top ply 102 of the heating sheet 100b into closer proximity to the surface of the food item F. In doing so, the browning and/or crisping of the sides of the food item F may be enhanced. The elevating and insulating properties of the expanded insulating sheet 100b further enhance the heating, browning, and crisping of the food item F.

It is noted that, in the example shown in **FIGS. 1M-1Q**, the overwrap **112** is formed from two individual plies **102, 104** of expandable cell insulating material joined along respective edges. However, in this and other aspects of the invention, the overwrap **112** may be formed from a single ply of material
5 folded over onto itself, as shown in **FIG. 1R**. In such an example, the overwrap **112** may be formed from a structure **100a** according to **FIG. 1A** using, for example, any of the structures illustrated in **FIGS. 4-12**, or may be formed from a structure **100b** according to **FIG. 1B** using any combination of plies, for example, any of the structures illustrated in **FIGS. 2A-13B**, as needed
10 to attain at least two susceptor layers and at least one layer of expandable insulating cells in the resulting heating sheet. Thus, for example, one ply may consist of a structure as shown in **FIGS. 2A-3, 13A, or 13B** and one ply may be formed from another such material, a susceptor (optionally supported on or between one or more layers of microwave energy transparent material, e.g.,
15 paper or polymer film), or may be any other suitable structure including a susceptor layer. Numerous variations are contemplated hereby.

In another exemplary use, the various heating sheets **100a, 100b** may be used as a heating wrap in which the food item is enfolded or enclosed throughout at least a portion of the heating cycle. This might be suitable for
20 food items having multiple surfaces to be browned and/or or crisped, for example, an egg roll, breaded meat, fruit pie, sandwich, burrito, breakfast wrap, pastry, or other item. In yet another exemplary use, where at least one of the top ply **102** and bottom ply **104** include at least two susceptor layers and at least one layer of expandable cells (e.g., with the exemplary structures shown
25 in **FIGS. 4-12**), such that the ply **102** or **104** serves as a heating sheet according to the invention, the food item may be heated within the package.

Various microwave energy interactive insulating materials may be suitable for use in a heating sheet, wrap, package, or other construct according to the invention. The various insulating materials may include multiple layers

or components, including both microwave energy responsive or interactive elements or components and microwave energy transparent or inactive elements or components, provided that each is resistant to softening, scorching, combusting, or degrading at typical microwave oven heating temperatures, for
5 example, at from about 250°F to about 425°F.

In one aspect, the insulating material may comprise one or more susceptor layers in combination with one or more expandable insulating cells.

In another aspect, the insulating material may comprise a microwave energy interactive material supported on a first polymer film layer, a moisture-
10 containing layer superposed with the microwave energy interactive material, and a second polymer film layer joined to the moisture-containing layer in a predetermined pattern using an adhesive, chemical or thermal bonding, or other fastening agent or process, thereby forming one or more closed cells between the moisture-containing layer and the second polymer film layer. The
15 microwave energy interactive material may serve as a susceptor. The closed cells expand or inflate in response to being exposed to microwave energy and cause the susceptor to bulge and deform toward the food item.

While not wishing to be bound by theory, it is believed that the heat generated by the susceptor causes moisture in the moisture-containing layer to
20 evaporate, thereby exerting pressure on the adjacent layers. As a result, the expandable cells bulge outwardly away from the expanding gas, thereby allowing the expandable cell insulating material to conform more closely to the contours of the surface of the food item. As a result, the heating, browning, and/or crisping of the food item can be enhanced, even if the surface of the
25 food item is somewhat irregular.

Further, the water vapor, air, and other gases contained in the closed cells provide insulation between the food item and the ambient environment of the microwave oven, thereby increasing the amount of sensible heat that stays within or is transferred to the food item. Such insulating materials also may

help to retain moisture in the food item when cooking in the microwave oven, thereby improving the texture and flavor of the food item. Additional benefits and aspects of such materials are described in PCT Publication No. WO 2003/66435, U.S. Patent No. 7,019,271, and U.S. Patent Application
5 Publication No. 20060113300 A1.

It is noted that, for purposes of simplicity, and not limitation, the predetermined pattern of adhesion, bonding, or fastening may be generally referred to herein as “lines of adhesion” or a “pattern of adhesion” or a
10 “patterned adhesive”. However, it will be understood that there are numerous methods of forming the closed cells, and that such methods are contemplated hereby.

Several exemplary insulating materials are depicted in **FIGS. 2A-13B**. As discussed above, the various plies **102, 104** of the heating sheets **100a, 100b**
15 of the invention may comprise, may consist essentially of, or may consist of such structures, as needed to attain a heating sheet with at least two susceptor layers and at least one layer of expandable insulating cells. In each of the examples shown herein, it should be understood that the layer widths are not necessarily shown in perspective. In some instances, for example, the adhesive
20 layers may be very thin with respect to other layers, but are nonetheless shown with some thickness for purposes of clearly illustrating the arrangement of layers. Since some of such exemplary structures include only one susceptor layer, it is understood that those structures may be used as one ply of the heating sheet in combination with another ply that includes a susceptor layer,
25 such that the heating sheet includes at least two susceptor layers and at least one layer of expandable insulating cells.

FIG. 2A depicts an exemplary microwave energy interactive insulating material **200** that may be suitable for use with the various aspects of the invention. In this example, a thin layer of microwave energy interactive

material that serves as a susceptor **202** is supported on a first polymer film **204** (collectively forming a “susceptor film”) and bonded by lamination with an adhesive **206** (or otherwise) to a dimensionally stable substrate **208**, for example, paper. The substrate **208** is bonded to a second polymer film **210**
5 using a patterned adhesive **212** or other material, thereby forming a plurality of expandable insulating cells **214**. The insulating material **200** may be cut and provided as a substantially flat, multi-layered sheet **216**, as shown in **FIG. 2B**.

As the susceptor **202** heats upon impingement by microwave energy, water vapor and other gases typically held in the substrate **208**, for example,
10 paper, and any air trapped in the thin space between the second polymer film **210** and the substrate **208** in the closed cells **214**, expand, as shown in **FIG. 2C**. The resulting insulating material **216'** has a quilted or pillowed or lofted top surface **218** and bottom surface **220**. When microwave heating has ceased, the cells **214** typically deflate and return to a somewhat flattened state.

15 If desired, the insulating material **200** may be modified to form a structure **222** that includes an additional paper or polymer film layer **224** joined to the first polymer film layer **204** using an adhesive **226** or other suitable material, as shown in **FIG. 2D**. In either case, the insulating materials **200** and **222** may be used in combination with one or more other structures, at least one
20 of which includes a susceptor layer, to form a heating sheet according the invention, such that the heating sheet includes at least two susceptor layers and at least one layer of expandable insulating cells.

FIG. 3 illustrates another exemplary insulating material **300**. The material **300** includes a polymer film layer **302**, a susceptor layer **304**, an
25 adhesive layer **306**, and a paper layer **308**. Additionally, the material **300** may include a second polymer film layer **310**, an adhesive **312**, and a paper layer **314**. The layers may be adhered or affixed by a patterned adhesive **316** that defines a plurality of closed expandable cells **318**.

FIG. 4 illustrates yet another exemplary insulating material **400** that may be suitable for use with the invention. In this example, the insulating material **400** includes a pair of adjoined, symmetrical layer arrangements. If desired, the two symmetrical arrangements may be formed by folding one layer arrangement onto itself.

The first symmetrical layer arrangement, beginning at the top of the drawing, comprises a polymer film layer **402**, a susceptor layer **404**, an adhesive layer **406**, and a paper or paperboard layer **408**. The adhesive layer **406** bonds the polymer film **402** and the susceptor layer **404** to the paperboard layer **408**.

The second symmetrical layer arrangement, beginning at the bottom of the drawing, also comprises a polymer film layer **410**, a susceptor layer **412**, an adhesive layer **414**, and a paper or paperboard layer **416**. A patterned adhesive layer **418** is provided between the two paper layers **408** and **416**, and defines a pattern of closed cells **420** configured to expand when exposed to microwave energy.

By using an insulating material **400** having one susceptor **404** and **412** on each side of the expandable insulating cells **420**, more heat is generated, thereby achieving greater loft of the cells **420**. As a result, such a material is able to elevate a food item seated thereon to a greater extent than an insulating material having a single susceptor layer.

FIG. 5 illustrates yet another exemplary insulating material **500** according to the present invention. The insulating material **500** comprises two plies **200a** and **200b** of the insulating material **200** of **FIG. 2A** arranged in a stacked back-to-front configuration, where the term “back” corresponds to polymer film layer **210** and “front” refers to polymer film layer **204**. The plies **200a** and **200b** are joined by an adhesive layer **502**. However, the plies **200a** and **200b** may be joined in any suitable manner.

The degree of joining or bonding may vary for a given application. For example, if the greatest degree of loft is desirable, it might be beneficial to use a discontinuous, patterned adhesive bond that will not restrict the expansion and flexing of the layers within the material. As another example, where structural stability is desirable, a continuous adhesive bond might provide the desired result.

In the structure **500** shown in **FIG. 5**, the insulating material **500** includes two layers of expandable cells **214**. In use, such structures materials are able to achieve a greater degree of loft. This may be particularly advantageous where the food item has a greater weight and, therefore, is more difficult to elevate from the floor of the microwave oven.

FIG. 6 illustrates yet another exemplary insulating material **600** according to the present invention. The insulating material **600** comprises two plies **200a**, **200b** of the insulating material **200** of **FIG. 2A** arranged in a stacked back-to-front configuration, where the term “back” corresponds to polymer film layer **210** and “front” refers to polymer film layer **204**. The plies **200a**, **200b** are joined using continuous or intermittent welding or fusion. However, the layers may be joined in any suitable manner.

Similarly, **FIGS. 7** and **8** depict insulating structures that include two plies **222a**, **222b** of the material **222** of **FIG. 2D**. In the exemplary material **700** of **FIG. 7**, the plies **222a** and **222b** of insulating material are arranged in a back-to-front configuration, where “back” corresponds to layer **210** and “front” corresponds to layer **224** and. In the exemplary material **800** of **FIG. 8**, the plies **222a** and **222b** are arranged in a back-to-back configuration. The plies may be joined in any suitable manner, such as those described above, for example, by welding or fusing.

FIGS. 9 and **10** depict additional insulating materials **900** and **1000** comprising plies **300a** and **300b** of the insulating material **300** of **FIG. 3**. In **FIG. 9**, plies **300a** and **300b** are arranged in a back-to-front configuration

joined by an adhesive layer 902, where “back” refers to the polymer film layer 310 and “front” refers to the polymer film layer 302. In FIG. 10, plies 300a and 300b are arranged in a layered, back-to-back configuration and joined using welding or fusing, or any other suitable technique.

5 As further examples, FIGS. 11 and 12 depict insulating materials 1100 and 1200 comprising the insulating material 400 of FIG. 4 in a layered configuration. In FIG. 11, plies 400a and 400b are arranged in a back-to-front configuration, where “back” refers to layer 410 and “front” refers to layer 402. Plies 400a and 400b joined by an adhesive layer 1102. In FIG. 12, plies 400a
10 and 400b are arranged in a back-to-back configuration and joined using welding or fusing, or any other suitable technique.

It will be understood that although the various examples of FIGS. 5-12 illustrate two layers of like insulating materials, numerous other layered constructions, in which the same or different insulating materials are used in a
15 front-to-front, front-to-back, back-to-back, or any combination thereof, are contemplated hereby. Thus, by way of example and not limitation, the insulating material of FIG. 5 may be used with the insulating material of FIG. 6 in a front-to-front, front-to-back, or back-to-back configuration, as desired.

Furthermore, it will be understood that any of the various insulating
20 structures may be arranged in any suitable manner to form a heating sheet according to the invention. In one example, two sheets of an insulating material may be arranged so that their respective susceptor layers are facing away from each other. In another example, two sheets of an insulating material may be arranged so that their respective susceptor layers are facing towards
25 each other. In still another example, multiple sheets of an insulating material may be arranged in a like manner and superposed. In a still further example, multiple sheets of various insulating materials are superposed in any other configuration as needed or desired for a particular application.

It will be recognized that each of the exemplary insulating materials depicted in **FIGS. 2A-12** include a moisture-containing layer (e.g. paper) that is believed to release at least a portion of the vapor that inflates the expandable cells. However, it is contemplated that structures that are inflated without such moisture-containing layers also may be used in accordance with the invention.

FIG. 13A illustrates one example of an expandable cell insulating material **1300** that inflates without the use of a moisture-containing layer, for example, paper. In this example, one or more reagents are used to generate a gas that expands the cells of the insulating material. For example, the reagents may comprise sodium bicarbonate (NaHCO_3) and a suitable acid. When exposed to heat, the reagents react to produce carbon dioxide. As another example, the reagent may comprise a blowing agent. Examples of blowing agents that may be suitable include, but are not limited to, p-p'-oxybis(benzenesulphonylhydrazide), azodicarbonamide, and p-toluenesulfonylsemicarbazide. However, it will be understood that numerous other reagents and released gases are contemplated hereby.

In the example shown in **FIG. 13A**, a thin layer of microwave interactive material **1302** is supported on a first polymer film **1304** to form a susceptor film **1306**. One or more reagents **1308**, optionally within a coating, lie adjacent at least a portion of the layer of microwave interactive material **1302**. The reagent **1308** coated susceptor film **1306** is joined to a second polymer film **1310** using a patterned adhesive **1312** or other material, or using thermal bonding, ultrasonic bonding, or any other suitable technique, such that closed cells **1314** (shown as a void) are formed in the material **1300**. The microwave energy insulating material **1300** can be cut into a sheet **1316**, as shown in **FIG. 13B**.

As discussed in connection with the other exemplary insulating materials, as the microwave interactive material **1302** heats upon impingement by microwave energy, water vapor or other gases are released from or

generated by the reagent 1308. The resulting gas applies pressure on the
susceptor film 1306 on one side and the second polymer film 1310 on the other
side of the closed cells 1314. Each side of the material 1300 reacts
simultaneously, but uniquely, to the heating and vapor expansion to form a
5 pillowed or quilted insulating material 1316'. This expansion may occur within
1 to 15 seconds in an energized microwave oven, and in some instances, may
occur within 2 to 10 seconds. Even without a paper or paperboard layer, the
water vapor resulting from the reagent is sufficient both to inflate the
expandable cells and to absorb any excess heat from the microwave energy
10 interactive material. Such materials are described further in U.S. Patent
Application Publication No. 20060278521A1.

Typically, when microwave heating has ceased, the cells or quilts may
deflate and return to a somewhat flattened state. However, if desired, the
15 insulating material may comprise a durably expandable microwave energy
interactive insulating material. As used herein, the term "durably expandable
microwave energy interactive insulating material" or "durably expandable
insulating material" refers to an insulating material that includes expandable
cells that tend to remain at least partially, substantially, or completely inflated
20 after exposure to microwave energy has been terminated. Such materials may
be used to form multi-functional packages and other constructs that can be used
to heat a food item, to provide a surface for safe and comfortable handling of
the food item, and to contain the food item after heating. Thus, a durably
expandable insulating material may be used to form a package or construct that
25 facilitates storage, preparation, transportation, and consumption of a food item,
even "on the go".

In one aspect, a substantial portion or number of the plurality of cells
remain substantially expanded for at least about 1 minute after exposure to
microwave energy has ceased. In another aspect, a substantial portion or

number of the plurality of cells remain substantially expanded for at least about 5 minutes after exposure to microwave energy has ceased. In still another aspect, a substantial portion or number of the plurality of cells remain substantially expanded for at least about 10 minutes after exposure to
5 microwave energy has ceased. In yet another aspect, a substantial portion or number of the plurality of cells remain substantially expanded for at least about 30 minutes after exposure to microwave energy has ceased. It will be understood that not all of the expandable cells in a particular construct or package must remain inflated for the insulating material to be considered to be
10 “durable”. Instead, only a sufficient number of cells must remain inflated to achieve the desired objective of the package or construct in which the material is used.

For example, where a durably expandable insulating material is used to form all or a portion of a package or construct for storing a food item, heating,
15 browning, and/or crisping the food item in a microwave oven, removing it from the microwave oven, and removing it from the construct, only a sufficient number of cells need to remain at least partially inflated for the time required to heat, brown, and/or crisp the food item and remove it from the microwave oven after heating. In contrast, where a durably expandable insulating material is
20 used to form all or a portion of a package or construct for storing a food item, heating, browning, and/or crisping the food item in a microwave oven, removing the food item from the microwave oven, and consuming the food item within the construct, a sufficient number of cells need to remain at least partially inflated for the time required to heat, brown, and/or crisp the food
25 item, remove it from the microwave oven after heating, and transport the food item until the food item and/or construct has cooled to a surface temperature comfortable for contact with the hands of the user.

Any of the durably expandable insulating materials of the present invention may be formed at least partially from one or more barrier materials,

for example, polymer films, that substantially reduce or prevent the transmission of oxygen, water vapor, or other gases from the expanded cells. Examples of such materials are described below. However, the use of other materials is contemplated hereby.

5 It will be understood that any of the microwave energy interactive insulating materials described herein or contemplated hereby may include an adhesive pattern or thermal bond pattern that is selected to enhance cooking of a particular food item. For example, where the food item is a larger item, the adhesive pattern may be selected to form substantially uniformly shaped
10 expandable cells. Where the food item is a small item, the adhesive pattern may be selected to form a plurality of different sized cells to allow the individual items to be variably contacted on their various surfaces. While several examples are provided herein, it will be understood that numerous other patterns are contemplated hereby, and the pattern selected will depend on the
15 heating, browning, crisping, and insulating needs of the particular food item.

Numerous materials may be suitable for use in the various heating sheets and other structures described herein and/or contemplated hereby.

The microwave energy interactive material may be an electroconductive or semiconductive material, for example, a metal or a metal alloy provided as a
20 metal foil; a vacuum deposited metal or metal alloy; or a metallic ink, an organic ink, an inorganic ink, a metallic paste, an organic paste, an inorganic paste, or any combination thereof. Examples of metals and metal alloys that may be suitable for use with the present invention include, but are not limited to, aluminum, chromium, copper, inconel alloys (nickel-chromium-
25 molybdenum alloy with niobium), iron, magnesium, nickel, stainless steel, tin, titanium, tungsten, and any combination or alloy thereof.

Alternatively, the microwave energy interactive material may comprise a metal oxide. Examples of metal oxides that may be suitable for use with the present invention include, but are not limited to, oxides of aluminum, iron, and

tin, used in conjunction with an electrically conductive material where needed. Another example of a metal oxide that may be suitable for use with the present invention is indium tin oxide (ITO). ITO can be used as a microwave energy interactive material to provide a heating effect, a shielding effect, a browning
5 and/or crisping effect, or a combination thereof. For example, to form a susceptor, ITO may be sputtered onto a clear polymer film. The sputtering process typically occurs at a lower temperature than the evaporative deposition process used for metal deposition. ITO has a more uniform crystal structure and, therefore, is clear at most coating thicknesses. Additionally, ITO can be
10 used for either heating or field management effects. ITO also may have fewer defects than metals, thereby making thick coatings of ITO more suitable for field management than thick coatings of metals, such as aluminum.

Alternatively still, the microwave energy interactive material may comprise a suitable electroconductive, semiconductive, or non-conductive
15 artificial dielectric or ferroelectric. Artificial dielectrics comprise conductive, subdivided material in a polymer or other suitable matrix or binder, and may include flakes of an electroconductive metal, for example, aluminum.

The substrate typically comprises an electrical insulator, for example, a polymer film or other polymeric material. As used herein the terms "polymer",
20 "polymer film", and "polymeric material" include, but are not limited to, homopolymers, copolymers, such as for example, block, graft, random, and alternating copolymers, terpolymers, etc. and blends and modifications thereof. Furthermore, unless otherwise specifically limited, the term "polymer" shall
25 include all possible geometrical configurations of the molecule. These configurations include, but are not limited to isotactic, syndiotactic, and random symmetries.

The thickness of the film typically may be from about 35 gauge to about 10 mil. In one aspect, the thickness of the film is from about 40 to about 80 gauge. In another aspect, the thickness of the film is from about 45 to about 50

gauge. In still another aspect, the thickness of the film is about 48 gauge. Examples of polymer films that may be suitable include, but are not limited to, polyolefins, polyesters, polyamides, polyimides, polysulfones, polyether ketones, cellophanes, or any combination thereof. Other non-conducting
5 substrate materials such as paper and paper laminates, metal oxides, silicates, cellulose, or any combination thereof, also may be used.

In one example, the polymer film comprises polyethylene terephthalate (PET). Polyethylene terephthalate films are used in commercially available susceptors, for example, the QWIKWAVE[®] Focus susceptor and the
10 MICRORITE[®] susceptor, both available from Graphic Packaging International (Marietta, Georgia). Examples of polyethylene terephthalate films that may be suitable for use as the substrate include, but are not limited to, MELINEX[®], commercially available from DuPont Teijan Films (Hopewell, Virginia), SKYROL, commercially available from SKC, Inc. (Covington, Georgia), and
15 BARRIALOX PET, available from Toray Films (Front Royal, VA), and QU50 High Barrier Coated PET, available from Toray Films (Front Royal, VA).

The polymer film may be selected to impart various properties to the microwave interactive structure, for example, printability, heat resistance, or any other property. As one particular example, the polymer film may be
20 selected to provide a water barrier, oxygen barrier, or a combination thereof. Such barrier film layers may be formed from a polymer film having barrier properties or from any other barrier layer or coating as desired. Suitable polymer films may include, but are not limited to, ethylene vinyl alcohol, barrier nylon, polyvinylidene chloride, barrier fluoropolymer, nylon 6, nylon
25 6,6, coextruded nylon 6/EVOH/nylon 6, silicon oxide coated film, barrier polyethylene terephthalate, or any combination thereof.

One example of a barrier film that may be suitable for use with the present invention is CAPRAN[®] EMBLEM 1200M nylon 6, commercially available from Honeywell International (Pottsville, Pennsylvania). Another

example of a barrier film that may be suitable is CAPRAN® OXYSHIELD OBS monoaxially oriented coextruded nylon 6/ethylene vinyl alcohol (EVOH)/nylon 6, also commercially available from Honeywell International. Yet another example of a barrier film that may be suitable for use with the present invention is DARTEK® N-201 nylon 6,6, commercially available from Enhance Packaging Technologies (Webster, New York). Additional examples include BARRIALOX PET, available from Toray Films (Front Royal, VA) and QU50 High Barrier Coated PET, available from Toray Films (Front Royal, VA), referred to above.

Still other barrier films include silicon oxide coated films, such as those available from Sheldahl Films (Northfield, Minnesota). Thus, in one example, a susceptor may have a structure including a film, for example, polyethylene terephthalate, with a layer of silicon oxide coated onto the film, and ITO or other material deposited over the silicon oxide. If needed or desired, additional layers or coatings may be provided to shield the individual layers from damage during processing.

The barrier film may have an oxygen transmission rate (OTR) as measured using ASTM D3985 of less than about 20 cc/m²/day. In one aspect, the barrier film has an OTR of less than about 10 cc/m²/day. In another aspect, the barrier film has an OTR of less than about 1 cc/m²/day. In still another aspect, the barrier film has an OTR of less than about 0.5 cc/m²/day. In yet another aspect, the barrier film has an OTR of less than about 0.1 cc/m²/day.

The barrier film may have a water vapor transmission rate (WVTR) of less than about 100 g/m²/day as measured using ASTM F1249. In one aspect, the barrier film has a WVTR of less than about 50 g/m²/day. In another aspect, the barrier film has a WVTR of less than about 15 g/m²/day. In yet another aspect, the barrier film has a WVTR of less than about 1 g/m²/day. In still another aspect, the barrier film has a WVTR of less than about 0.1

$\text{g/m}^2/\text{day}$. In a still further aspect, the barrier film has a WVTR of less than about $0.05 \text{ g/m}^2/\text{day}$.

Other non-conducting substrate materials such as metal oxides, silicates, cellulosics, or any combination thereof, also may be used in accordance with
5 the present invention.

The microwave energy interactive material may be applied to the substrate in any suitable manner, and in some instances, the microwave energy interactive material is printed on, extruded onto, sputtered onto, evaporated on, or laminated to the substrate. The microwave energy interactive material may
10 be applied to the substrate in any pattern, and using any technique, to achieve the desired heating effect of the food item. For example, the microwave energy interactive material may be provided as a continuous or discontinuous layer or coating including circles, loops, hexagons, islands, squares, rectangles, octagons, and so forth. Examples of various patterns and methods that may be
15 suitable for use with the present invention are provided in U.S. Patent Nos. 6,765,182; 6,717,121; 6,677,563; 6,552,315; 6,455,827; 6,433,322; 6,410,290; 6,251,451; 6,204,492; 6,150,646; 6,114,679; 5,800,724; 5,759,418; 5,672,407; 5,628,921; 5,519,195; 5,420,517; 5,410,135; 5,354,973; 5,340,436; 5,266,386; 5,260,537; 5,221,419; 5,213,902; 5,117,078; 5,039,364; 4,963,420; 4,936,935;
20 4,890,439; 4,775,771; 4,865,921; and Re. 34,683. Although particular examples of patterns of microwave energy interactive material are shown and described herein, it should be understood that other patterns of microwave energy interactive material are contemplated by the present invention.

25 The various heating sheets and other structures of the invention also may include one or more a dimensionally stable, moisture-containing, microwave energy transparent layers. For example, the heating sheet or other structures may include a paper or paper-based material generally having a basis weight of from about 15 to about 60 lbs/ream (lbs/3000 sq. ft.), for example, from about

20 to about 40 lbs/ream. In one particular example, the paper has a basis weight of about 25 lbs/ream. Where a somewhat less flexible heating sheet is desired, the heating sheet or other structures may include a paperboard material generally having a basis weight of from about 60 to about 330 lbs/ream, for example, from about 80 to about 140 lbs/ream, or from about 100 to about 150 lbs/ream. The paperboard generally may have a thickness of from about 6 to about 30 mils, for example, from about 12 to about 28 mils. In one particular example, the paperboard has a thickness of about 12 mils. Any suitable paperboard may be used, for example, a solid bleached or solid unbleached sulfate board, such as SUS® board, commercially available from Graphic Packaging International.

If desired, any of the various heating sheets or other constructs of the invention may include one or more discontinuities or microwave energy transparent or inactive regions to prevent overheating or charring of the heating sheet, dimensionally stable disk, tray, or any other component proximate the heating sheet during the heating cycle. The inactive regions may be designed to be microwave inactive, for example, by forming these areas without a microwave energy interactive material, by removing microwave energy interactive material from these areas, or by deactivating the microwave energy interactive material in these areas.

Further still, one or more panels, portions of panels, or portions of the construct may be designed to be microwave energy transparent to ensure that the microwave energy is focused efficiently on the areas to be browned and/or crisped, rather than being lost to portions of the food item not intended to be browned and/or crisped or to the heating environment. For example, the peripheral edges of the heating sheet or other construct, or other areas not expected to be in contact with the food item may not include a microwave energy interactive material, or may include a microwave energy interactive material that has been deactivated.

It will be understood that with some combinations of elements and materials, the microwave interactive material or element may have a grey or silver color this is visually distinguishable from the substrate or the other components in the structure. However, in some instances, it may be desirable
5 to provide a structure having a uniform color and/or appearance. Such a structure may be more aesthetically pleasing to a consumer, particularly when the consumer is accustomed to packages or containers having certain visual attributes, for example, a solid color, a particular pattern, and so on. Thus, for example, the present invention contemplates using a silver or grey toned
10 adhesive to join the microwave interactive elements to the substrate, using a silver or grey toned substrate to mask the presence of the silver or grey toned microwave interactive element, using a dark toned substrate, for example, a black toned substrate, to conceal the presence of the silver or grey toned microwave interactive element, overprinting the metallized side of the web
15 with a silver or grey toned ink to obscure the color variation, printing the non-metallized side of the structure with a silver or grey ink or other concealing color in a suitable pattern or as a solid color layer to mask or conceal the presence of the microwave interactive element, or any other suitable technique or combination thereof.

20 Various aspects of the present invention may be understood further by way of the following example, which is not to be construed as limiting in any manner.

EXAMPLE

25 The microwave browning and crisping performance of various materials was compared. A 10 inch Tony's Original thin crust pizza was heated for 7 minutes in a 1000 watt Panasonic microwave oven with a turntable. The details of the evaluation and results are set forth in Table 1.

Table 1.

| Test | Sample | Description | Results |
|-------------|----------------------------|--|--|
| 1 | Susceptor | 0.016 in. thick SBS paperboard laminated 48 gauge metalized polyester film | Some browning and crisping; acceptable results |
| 2 | Insulating material | 25 lb./ream paper adhesively laminated to 48 gauge metallized polyester film on one side, clear 48 gauge polyester film adhesive laminated in a quilt pattern; includes one susceptor layer and one layer of expandable insulating cells | Sufficient browning and crisping; very good results |
| 3 | Double insulating material | Two layers of insulating material, as described in Test 2; includes two susceptor layers and two layers of expandable insulating cells | Substantially uniform browning and crisping; excellent results |

Although certain embodiments of this invention have been described with a certain degree of particularity, those skilled in the art could make numerous alterations to the disclosed embodiments without departing from the spirit or scope of this invention. All directional references (e.g., upper, lower, upward, downward, left, right, leftward, rightward, top, bottom, above, below, vertical, horizontal, clockwise, and counterclockwise) are used only for identification purposes to aid the reader's understanding of the various embodiments of the present invention, and do not create limitations, particularly as to the position, orientation, or use of the invention unless specifically set forth in the claims. Joinder references (e.g., joined, attached, coupled, connected, and the like) are to be construed broadly and may include intermediate members between a connection of elements and relative movement between elements. As such, joinder references do not necessarily imply that two elements are connected directly and in fixed relation to each other.

It will be recognized by those skilled in the art, that various elements discussed with reference to the various embodiments may be interchanged to

create entirely new embodiments coming within the scope of the present invention. It is intended that all matter contained in the above description or shown in the accompanying drawings shall be interpreted as illustrative only and not limiting. Changes in detail or structure may be made without departing
5 from the spirit of the invention as defined in the appended claims. The detailed description set forth herein is not intended nor is to be construed to limit the present invention or otherwise to exclude any such other embodiments, adaptations, variations, modifications, and equivalent arrangements of the present invention.

10 Accordingly, it will be readily understood by those persons skilled in the art that, in view of the above detailed description of the invention, the present invention is susceptible of broad utility and application. Many adaptations of the present invention other than those herein described, as well as many variations, modifications, and equivalent arrangements will be apparent from or
15 reasonably suggested by the present invention and the above detailed description thereof, without departing from the substance or scope of the present invention. While the present invention is described herein in detail in relation to specific aspects, it is to be understood that this detailed description is only illustrative and exemplary of the present invention and is made merely for
20 purposes of providing a full and enabling disclosure of the present invention. The detailed description set forth herein is not intended nor is to be construed to limit the present invention or otherwise to exclude any such other embodiments, adaptations, variations, modifications, and equivalent arrangements of the present invention as set forth in the appended claims.

25

WHAT IS CLAIMED IS:

1. A package for heating a food item in a microwave oven, comprising:
a pair of adjoined panels defining a cavity for receiving a food item, each of the adjoined panels including
 - a layer of microwave energy interactive material supported on a first polymer film, the layer of microwave energy interactive material being adapted to convert at least a portion of impinging microwave energy into thermal energy,
 - a moisture-containing layer joined to the layer of microwave energy interactive material, and
 - a second polymer film joined to the moisture-containing layer, thereby forming a plurality of expandable cells between the moisture-containing layer and the second polymer film layer, the expandable cells being adapted to inflate in response to microwave energy,wherein
 - in a first configuration with the food item in the cavity, the package serves as a container for the food item, and
 - in a second configuration with the food item removed from the cavity and the panels arranged in a substantially superposed, substantially contacting relationship with one another, the package serves as a heating sheet on which the food item is seated for heating in the microwave oven.
2. The package of claim 1, wherein each panel of the pair of adjoined panels includes a barrier layer that reduces the transmission of oxygen, water vapor, or any combination thereof through the respective panel.
3. The package of claim 2, wherein at least one of the first polymer film and the second polymer film is the barrier layer.

4. The package of any one of claims 1 to 3, wherein at least one of the adjoined panels includes information about the food item, instructions for preparing the food item, instructions for using the package, or any combination thereof.
5. The package of any one of claims 1 to 4, wherein the food item has a base area and the heating sheet has an area greater than the base area of the food item.
6. The package of any one of claims 1 to 5, in combination with a dimensionally stable disk.
7. The package of claim 6, wherein the disk is adapted to be positioned beneath the heating sheet during heating.
8. The package of claim 6, wherein the disk is adapted to be positioned between the food item and the heating sheet during heating.
9. A method of heating, browning, and/or crisping a food item in a microwave oven, comprising:
 - providing a package including a pair of adjoined panels defining a cavity for receiving the food item, each of the adjoined panels comprising
 - a layer of microwave energy interactive material supported on a first polymer film, the layer of microwave energy interactive material being adapted to convert at least a portion of impinging microwave energy into thermal energy,
 - a moisture-containing layer joined to the layer of microwave energy interactive material, and
 - a second polymer film joined to the moisture-containing layer, thereby forming a plurality of expandable cells between the moisture-containing layer and the second polymer film layer;
 - removing the food item from the cavity;
 - arranging the panels in a substantially superposed, substantially contacting relationship with one another to form a heating sheet;
 - placing the food item on the heating sheet; and

exposing the food item on the heating sheet to microwave energy, thereby causing the expandable cells to inflate.

10. The method of claim 9, wherein exposing the heating sheet to microwave energy

transforms the heating sheet from a substantially planar shape to a multi-dimensional, lofted shape,

enhances the browning and/or crisping of the food item, and

provides thermal insulation between the food item and the microwave oven.

11. The method of claim 9, further comprising providing a dimensionally stable disk.

12. The method of claim 11, further comprising placing the food item and the heating sheet on the disk before exposing the food item on the heating sheet to microwave energy.

13. The method of claim 12, wherein exposing the heating sheet to microwave energy

transforms the heating sheet from a substantially planar shape to a multi-dimensional, lofted shape, and

enhances the browning and/or crisping of the food item.

14. The method of claim 11, further comprising placing the disk between the food item and the heating sheet before exposing the food item to microwave energy.

15. The method of claim 14, wherein exposing the heating sheet to microwave energy

transforms the heating sheet from a substantially planar shape to a multi-dimensional, lofted shape, and

provides thermal insulation between the food item and the microwave oven.

16. The method of any one of claims 9 to 15, further comprising providing a barrier layer that reduces the transmission of oxygen, water vapor, or any combination thereof through the package.

17. The method of any one of claims 9 to 16, further comprising providing information about the food item, instructions for preparing the food item, instructions for using the package, or any combination thereof with the package.

18. The method of claim 17, wherein providing information about the food item, instructions for preparing the food item, instructions for using the package, or any combination thereof with the package comprises printing the information and/or instructions on the package.

19. A method comprising:

placing a food item on a food-contacting side of a microwave heating sheet, the food item including a bottom portion having a periphery and an area, and a vertical portion extending upwardly from the periphery of the bottom portion, the vertical portion being intended to be browned and/or crisped wherein the microwave heating sheet has an area that is greater than the area of the bottom portion of the food item, so that placing the food item on the microwave heating sheet defines a marginal area of the microwave heating sheet uncovered by the food item, the microwave heating sheet comprising

at least two susceptors, each susceptor comprising a layer of microwave energy interactive material operative for converting at least a portion of impinging microwave energy into thermal energy, and

a plurality of substantially closed cells operative for inflating in response to microwave energy; and

exposing the food item on the microwave heating sheet to microwave energy, thereby inflating the closed cells and bringing the marginal area of the microwave heating sheet into closer proximity with the vertical portion of the food item.

20. The method of claim 19, wherein inflating the closed cells transforms the microwave heating sheet from a substantially planar shape to a multi-dimensional, lofted shape.
21. The method of claim 19 or 20, wherein
at least a first susceptor layer of the susceptor layers is proximate to the food-contacting side of the microwave heating sheet, and
bringing the marginal area of the heating sheet into closer proximity with the vertical portion of the food item brings the first susceptor layer into closer proximity with the vertical portion of the food item.
22. The method of any one of claims 19 to 21, wherein
the bottom portion of the food item is intended to be browned and/or crisped,
and
inflating the closed cells brings the first susceptor layer into closer conformance with the bottom portion of the food item.
23. The method of any one of claims 19 to 22, wherein the microwave heating sheet further comprises
a moisture-containing layer joined to one of the susceptor layers, and
a polymer film layer joined to the moisture-containing layer in a predetermined pattern, thereby defining the closed cells between the moisture-containing layer and the polymer film layer.
24. The method of any one of claims 19 to 23, further comprising folding the microwave heating sheet and
providing the microwave heating sheet in a folded configuration with the food item.
25. The method of any one of claims 19 to 24, further comprising providing information about the food item, instructions for preparing the food item, instructions for using the package, or any combination thereof with the microwave heating sheet.

26. The method of claim 25, wherein providing information about the food item, instructions for preparing the food item, instructions for using the package, or any combination thereof with the package comprises printing the information and/or instructions on the microwave heating sheet.

27. A microwave energy interactive heating sheet comprising:

at least two plies of a microwave energy interactive insulating material arranged in a superposed, layered configuration, wherein each ply of microwave energy interactive insulating material includes

a susceptor film comprising a microwave energy interactive material supported on a first polymer film layer,

a moisture-containing layer superposed with the microwave energy interactive material, and

a second polymer film layer joined to the moisture-containing layer in a predetermined pattern, thereby defining a plurality of expandable insulating cells between the moisture-containing layer and the second polymer film layer,

wherein at least some of the expandable insulating cells are configured to inflate when the microwave energy interactive heating sheet is exposed to microwave energy.

28. The microwave energy interactive heating sheet of claim 27, wherein the plies are at least partially joined to one another.

29. The microwave energy interactive heating sheet of claim 27 or 28, wherein the at least two plies of microwave energy interactive insulating material includes a first ply and a second ply, and

the first ply and the second ply are at least partially joined to one another along respective peripheral edges of the first ply and the second ply to define a cavity for receiving a food item.

30. The microwave energy interactive heating sheet of any one of claims 27 to 29, having a surface intended to be in contact with a food item, wherein the susceptor film of one of the plies is proximate the surface of the food item.

31. The microwave energy interactive heating sheet of any one of claims 27 to 29, in combination with a dimensionally stable construct, wherein

the dimensionally stable construct includes a first surface and a second surface opposite the first surface,

the first surface is intended to be in contact with a food item, and

the second surface is intended to be in contact with the microwave energy interactive heating sheet.

32. The microwave energy interactive heating sheet of any one of claims 27 to 30, in combination with a food item and a dimensionally stable construct in a packaging arrangement, wherein

the microwave energy interactive heating sheet overlies the food item, and

the food item overlies the dimensionally stable construct.

33. The microwave energy interactive heating sheet of claim 32, wherein information about the food item is printed on the microwave energy interactive heating sheet.

34. The microwave energy interactive heating sheet of claim 32 or 33, wherein the microwave energy interactive heating sheet is in a folded configuration.

35. The microwave energy interactive heating sheet of any one of claims 27 to 30, in combination with a food item and a dimensionally stable construct in a packaging arrangement, wherein the microwave energy interactive heating sheet is disposed between the food item and the dimensionally stable construct.

36. The microwave energy interactive heating sheet of any one of claims 27 to 30, in combination with a food item and a dimensionally stable construct in a packaging

arrangement, wherein the microwave energy interactive heating sheet is at least partially joined to the dimensionally stable construct.

37. The microwave energy interactive heating sheet of any one of claims 27 to 30, in combination with a food item, wherein
the food item has a periphery, and
the microwave energy interactive heating sheet has a peripheral margin that extends beyond the periphery of the food item.

38. The microwave energy interactive heating sheet of claim 37, in combination with the food item, wherein
the periphery of the food item is desirably browned and/or crisped, and
upon sufficient exposure to microwave energy, the peripheral margin of the heating sheet lofts upwardly around at least a portion of the periphery of the food item.

39. A microwave energy interactive heating sheet comprising:
at least two plies of microwave energy interactive insulating material arranged in a superposed, layered configuration, wherein each ply of microwave energy interactive insulating material includes
a susceptor film comprising microwave energy interactive material supported on a first polymer film,
a support layer joined to the microwave energy interactive material, the support layer comprising a material selected from the group consisting of paper, paperboard, and polymer film, and
a second polymer film joined to the support layer such that the support layer is positioned between the microwave energy interactive material and the second polymer film, the second polymer film being selectively joined to the support to define at least one closed cell between the support layer and the second polymer film layer, wherein the closed cell is operative for inflating in response to sufficient exposure to microwave energy.

40. The microwave energy interactive heating sheet of claim 39, wherein the at least two plies are separate from one another.

41. The microwave energy interactive heating sheet of claim 39, wherein the at least two plies are at least partially joined to one another.

42. The microwave energy interactive heating sheet of claim 39, wherein the at least two plies of microwave energy interactive insulating material includes a first ply and a second ply, and

the first ply and the second ply are at least partially joined along respective peripheral edges of the first ply and the second ply to define a cavity for receiving a food item.

43. The microwave energy interactive heating sheet of claim 42, wherein in a first configuration, the food item is positioned within the cavity, and in a second configuration, with the food item removed from the cavity, the first ply and second ply of microwave energy interactive insulating material are in a superposed relationship and the food item is positioned on the superposed first ply and second ply of microwave energy interactive insulating material.

44. The microwave energy interactive heating sheet of any one of claims 39 to 41, in combination with a dimensionally stable construct, wherein

the dimensionally stable construct includes a first surface and a second surface opposite the first surface,

the first surface is for contacting a food item, and

the second surface is for contacting the microwave energy interactive heating sheet.

45. The microwave energy interactive heating sheet of any one of claims 39 to 41, in combination with a food item and a dimensionally stable construct in a packaging arrangement, wherein

the microwave energy interactive heating sheet overlies the food item, and

the food item overlies the dimensionally stable construct.

46. The microwave energy interactive heating sheet of claim 45, wherein information about the food item is printed on the microwave energy interactive heating sheet.

47. The microwave energy interactive heating sheet of claim 45 or 46, wherein the microwave energy interactive heating sheet is in a folded configuration.

48. The microwave energy interactive heating sheet of any one of claims 39 to 41, in combination with a food item and a dimensionally stable construct in a packaging arrangement, wherein the microwave energy interactive heating sheet is disposed between the food item and the dimensionally stable construct.

49. The microwave energy interactive heating sheet of any one of claims 39 to 41, in combination with a food item and a dimensionally stable construct in a packaging arrangement, wherein the microwave energy interactive heating sheet is at least partially joined to the dimensionally stable construct.

50. The microwave energy interactive heating sheet of any one of claims 39 to 41, in combination with a food item, wherein
the food item has a periphery, and
the microwave energy interactive heating sheet has a peripheral margin that extends beyond the periphery of the food item.

51. The microwave energy interactive heating sheet of claim 50, in combination with the food item, wherein
the periphery of the food item is desirably browned and/or crisped, and
upon sufficient exposure to microwave energy, the peripheral margin of the heating sheet is configured to loft upwardly around at least a portion of the periphery of the food item.

52. A microwave heating sheet comprising:
at least two layers of microwave energy interactive insulating material joined to one another, the at least two layers of microwave energy interactive insulating material each comprising
microwave energy interactive material supported on a first polymer film layer,
a support layer joined to the microwave energy interactive material, and
a second polymer film layer joined to the support layer in a predetermined pattern, so that a plurality of expandable cells are defined between the support layer and the second polymer film layer,
wherein the expandable cells are operative for inflating upon sufficient exposure to microwave energy.
53. The microwave heating sheet of claim 52, wherein the at least two layers of microwave energy interactive insulating material define a cavity for receiving a food item.
54. The microwave heating sheet of claim 53, wherein
in a first configuration, the at least two layers of microwave energy interactive insulating material are for enwrapping the food item within the cavity, and
in a second configuration, the at least two layers of microwave energy interactive insulating material are for being positioned beneath the food item.
55. The microwave heating sheet of claim 52, wherein the at least two layers of microwave energy interactive insulating material are dimensioned so that a peripheral margin of the microwave heating sheet is for extending beyond a periphery of a food item seated on the microwave heating sheet.
56. The microwave heating sheet of claim 55, wherein the peripheral margin of the heating sheet is for extending upwardly around at least a portion of the periphery of the food item upon sufficient exposure to microwave energy.

57. The microwave heating sheet of claim 52, in combination with a dimensionally stable component.

58. The combination of claim 57, wherein

in a first configuration, the microwave heating sheet is for enwrapping the food item, and

in a second configuration, the microwave heating sheet is for being positioned beneath the dimensionally stable component, so that the dimensionally stable component is for being positioned between the food item and the microwave heating sheet.

59. The microwave heating sheet of claim 52, in combination with a food item and a dimensionally stable component in a packaging arrangement, wherein the microwave energy interactive heating sheet is positioned between the food item and the dimensionally stable component.

60. The microwave heating sheet of claim 52, in combination with a food item and a dimensionally stable component in a packaging arrangement, wherein the dimensionally stable component is positioned between the food item and the microwave heating sheet.

61. The microwave heating sheet of claim 52, in combination with a food item and a dimensionally stable component in a packaging arrangement, wherein the food item is positioned between the dimensionally stable component and the microwave heating sheet.

62. The combination of claim 61, wherein the microwave heating sheet includes at least one of printed graphics and printed text.

63. The combination of claim 61 or 62, wherein the microwave heating sheet is in a folded configuration.

64. The combination of claim 61 or 62, wherein the microwave heating sheet is at least partially joined to the dimensionally stable component.

65. The combination of any one of claims 61 to 64, wherein the dimensionally stable component is substantially transparent to microwave energy.

66. The combination of any one of claims 61 to 65, wherein the dimensionally stable component has a substantially planar configuration.

67. The combination of any one of claims 61 to 66, wherein the dimensionally stable component comprises a disk.

68. The microwave heating sheet of any one of claims 61 to 67, wherein the support layer of the at least two layers of microwave energy interactive insulating material independently comprises paper, paperboard, or a polymer film.

69. The microwave heating sheet of any one of claims 61 to 68, wherein the microwave energy interactive material is operative for heating in response to microwave energy.

70. A microwave heating sheet, in combination with a food item and a dimensionally stable component in a packaging arrangement, the microwave heating sheet comprising:

a plurality of layers of microwave energy interactive insulating material joined to one another, the plurality of layers of microwave energy interactive insulating material each comprising

a layer of microwave energy interactive material supported on a first polymer film layer, the layer of microwave energy interactive material being operative for converting microwave energy to heat,

a support layer joined to the microwave energy interactive material, and

a second polymer film layer joined to the support layer in a predetermined pattern, so that a plurality of expandable cells are defined between the support layer and the second polymer film layer, wherein the expandable cells are operative for inflating upon sufficient exposure to microwave energy.

71. The combination of claim 70, wherein the microwave heating sheet is positioned between the food item and the dimensionally stable component.

72. The combination of claim 70, wherein the dimensionally stable component is positioned between the food item and the microwave energy interactive heating sheet.

73. The combination of claim 70, wherein the food item is positioned between the dimensionally stable component and the microwave heating sheet.

74. The combination of claim 73, wherein the microwave heating sheet includes at least one of printed graphics and printed text.

75. The combination of claim 73 or 74, wherein the microwave heating sheet is in a folded configuration.

76. A method of using the combination of claim 70, wherein the food item has a bottom surface that is desirably at least one of browned and crisped, the method comprising:

positioning the food item on the microwave heating sheet so that the microwave energy interactive material of at least one of the plurality of layers of microwave energy interactive insulating material is proximate to the food item; and

exposing the food item on the microwave heating sheet to microwave energy so that

the microwave energy interactive material converts the microwave energy to heat, and

the expandable cells inflate so that microwave energy interactive material is urged towards the food item to at least one of brown and crisp the bottom of the food item.

77. The method of claim 76, wherein

the food item has a periphery that is desirably at least one of browned and crisped, and

a peripheral margin of the microwave heating sheet extends beyond the periphery of the food item positioned on the microwave heating sheet, so that the inflating of the expandable cells urges the expandable cells of the peripheral margin of the microwave heating sheet upwardly around at least a portion of the periphery of the food item to at least one of brown and crisp the periphery of the food item.

78. The method of claim 76, further comprising positioning the food item on the microwave heating sheet on the dimensionally stable component before exposing the food item on the microwave heating sheet to microwave energy.

79. A method of using the combination of claim 70, comprising:

positioning the food item on the dimensionally stable component;

positioning the dimensionally stable component on the microwave heating sheet; and

exposing the food item on the dimensionally stable component and the microwave heating sheet to microwave energy so the microwave energy interactive material converts the microwave energy to heat and the expandable cells inflate.

80. The combination of claim 70, wherein the food item is positioned between the plurality of layers of microwave energy interactive insulating material.

81. A method of using the combination of claim 80, wherein the food item has a bottom surface that is desirably at least one of browned and crisped, the method comprising:

removing the food item from between the plurality of layers of microwave energy interactive insulating material;

positioning the food item on the microwave heating sheet so that the microwave energy interactive material of at least one of the plurality of layers of microwave energy interactive insulating material is proximate to the food item; and

exposing the food item on the microwave heating sheet to microwave energy so that

the microwave energy interactive material converts the microwave energy to heat, and

the expandable cells inflate so that microwave energy interactive material is urged towards the food item to at least one of brown and crisp the bottom of the food item.

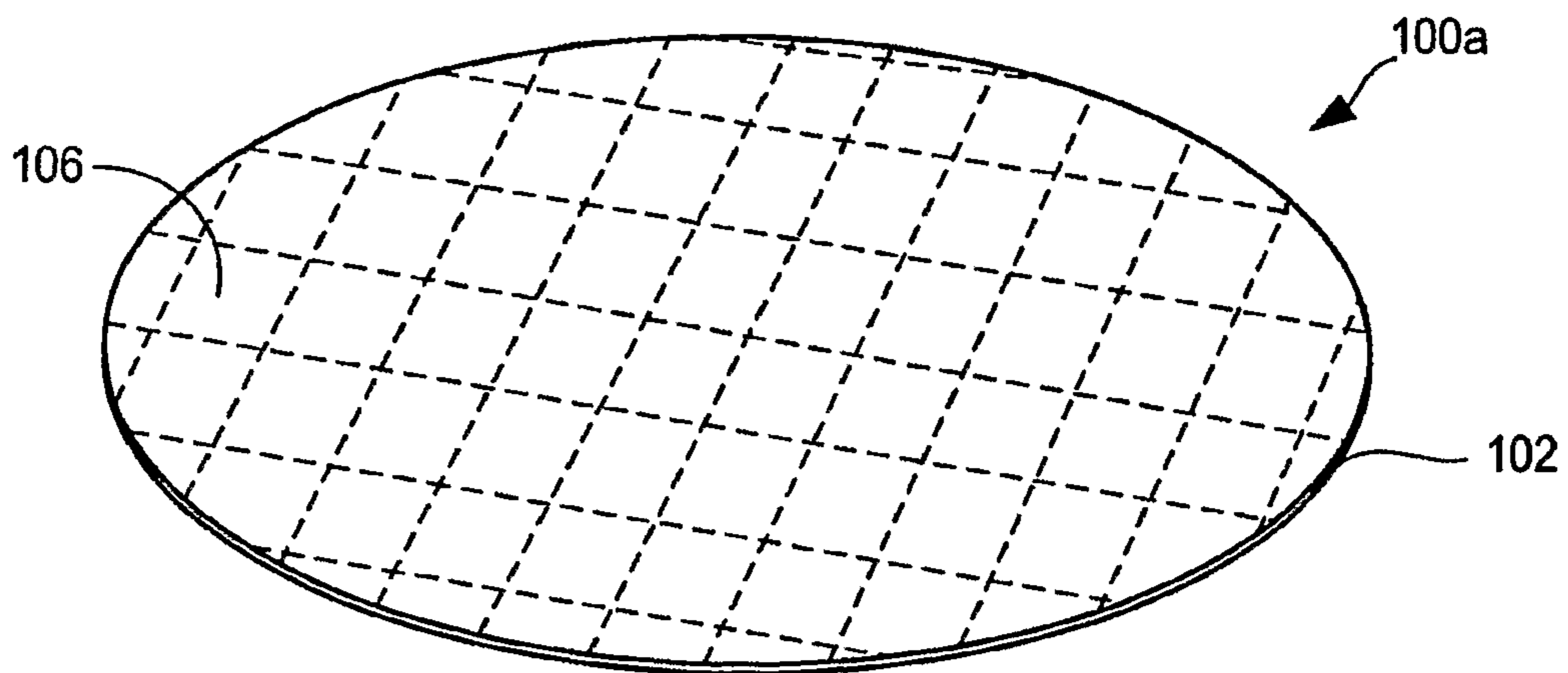


FIG. 1A

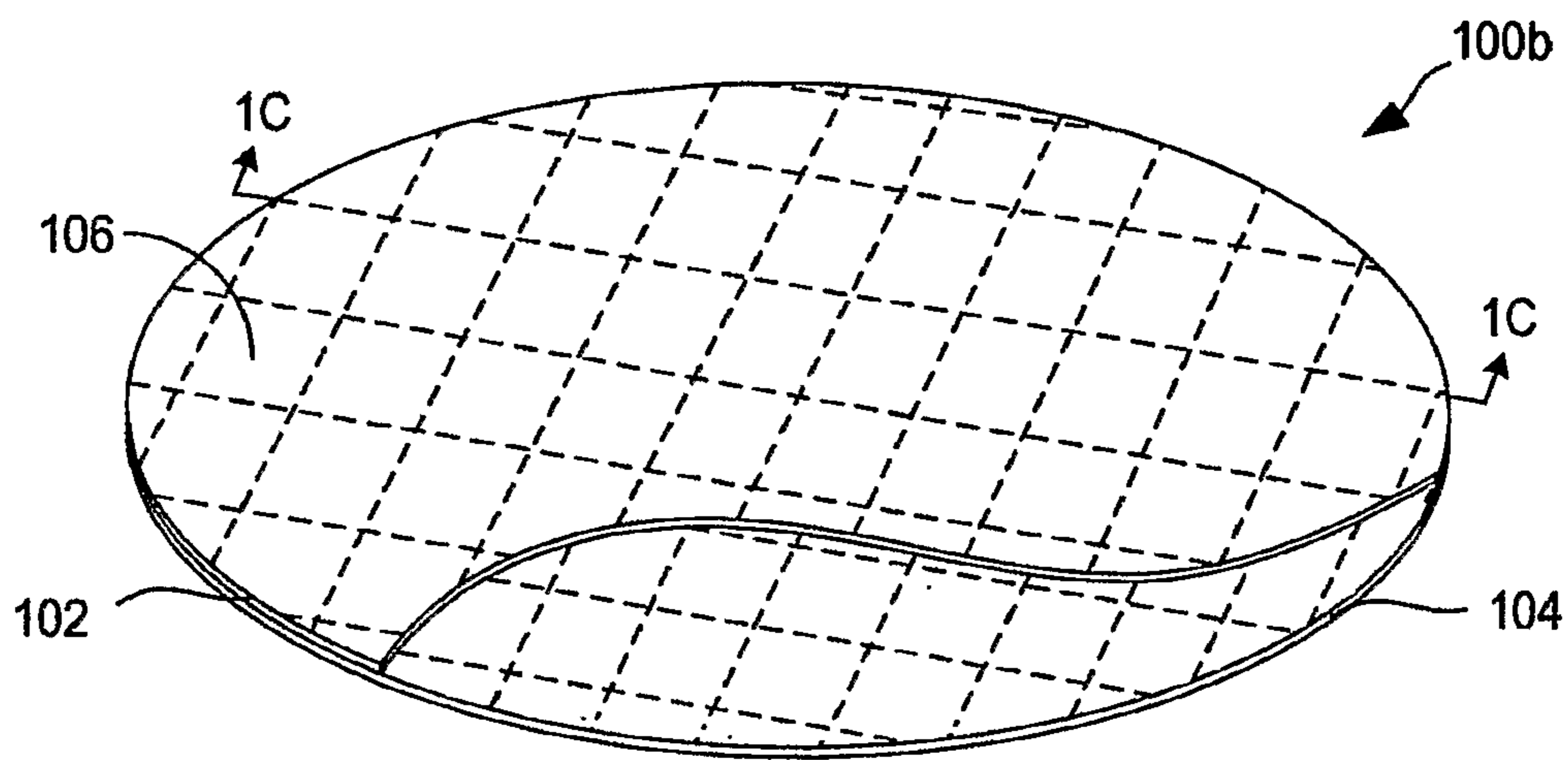


FIG. 1B

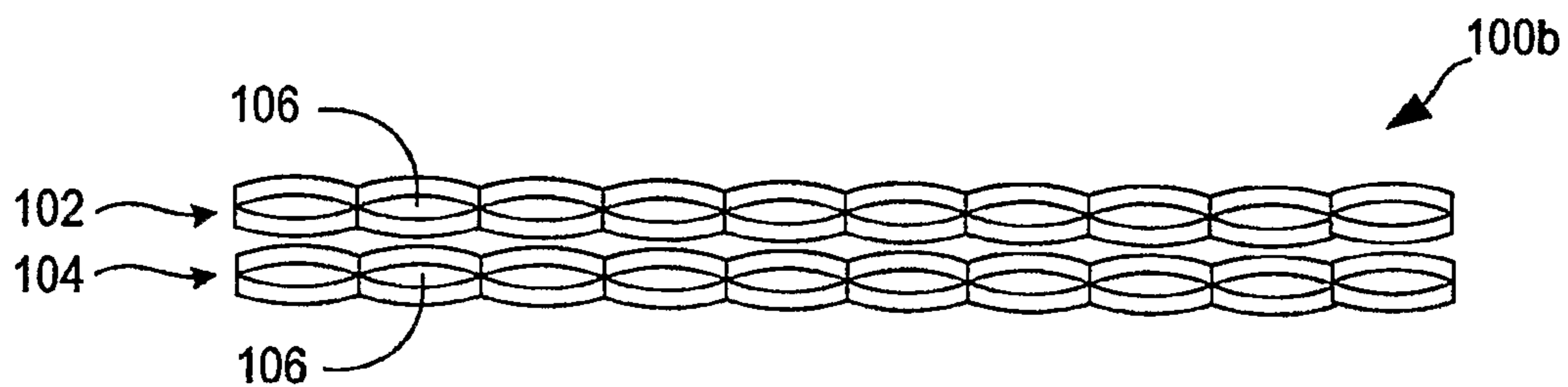


FIG. 1C

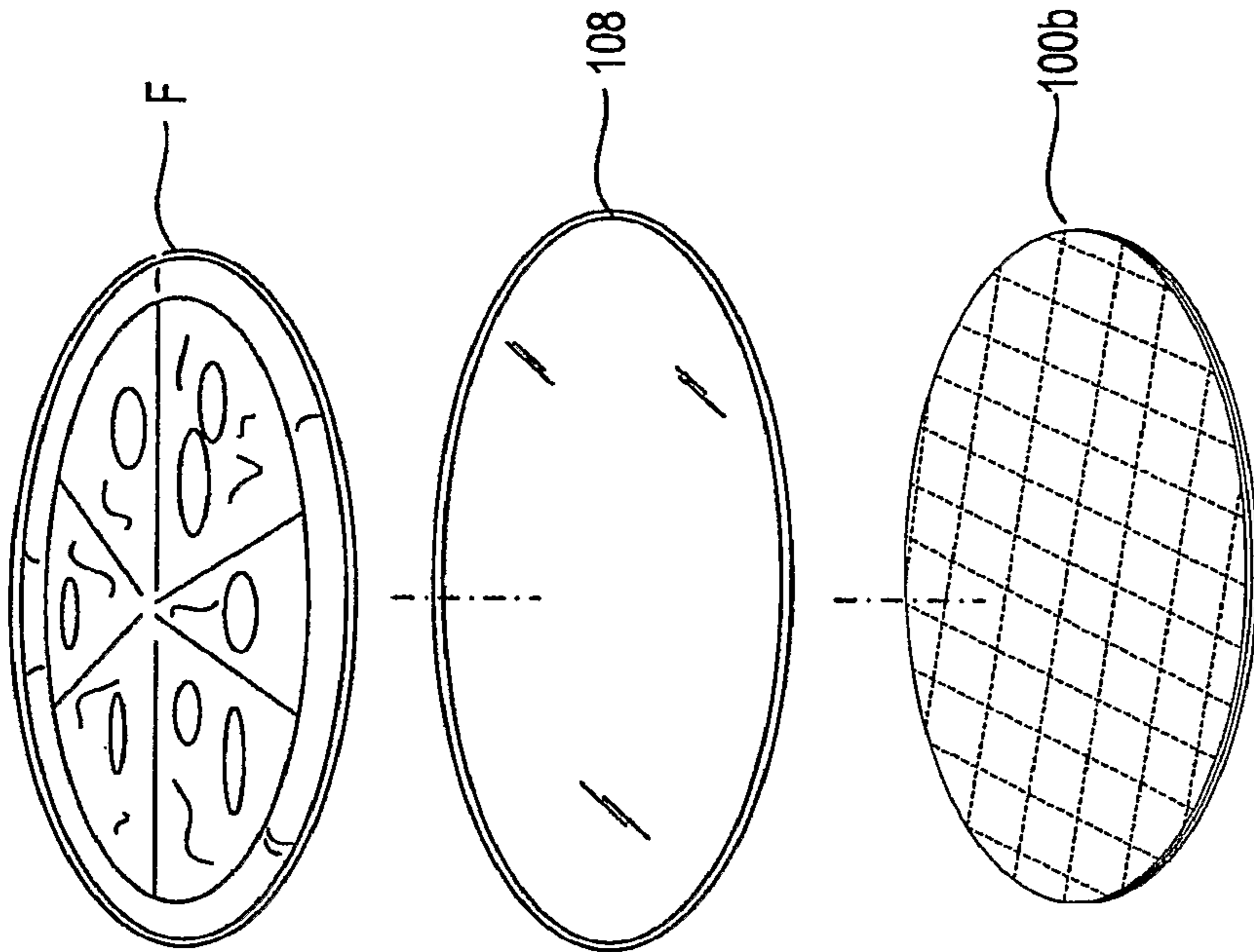


FIG. 1E

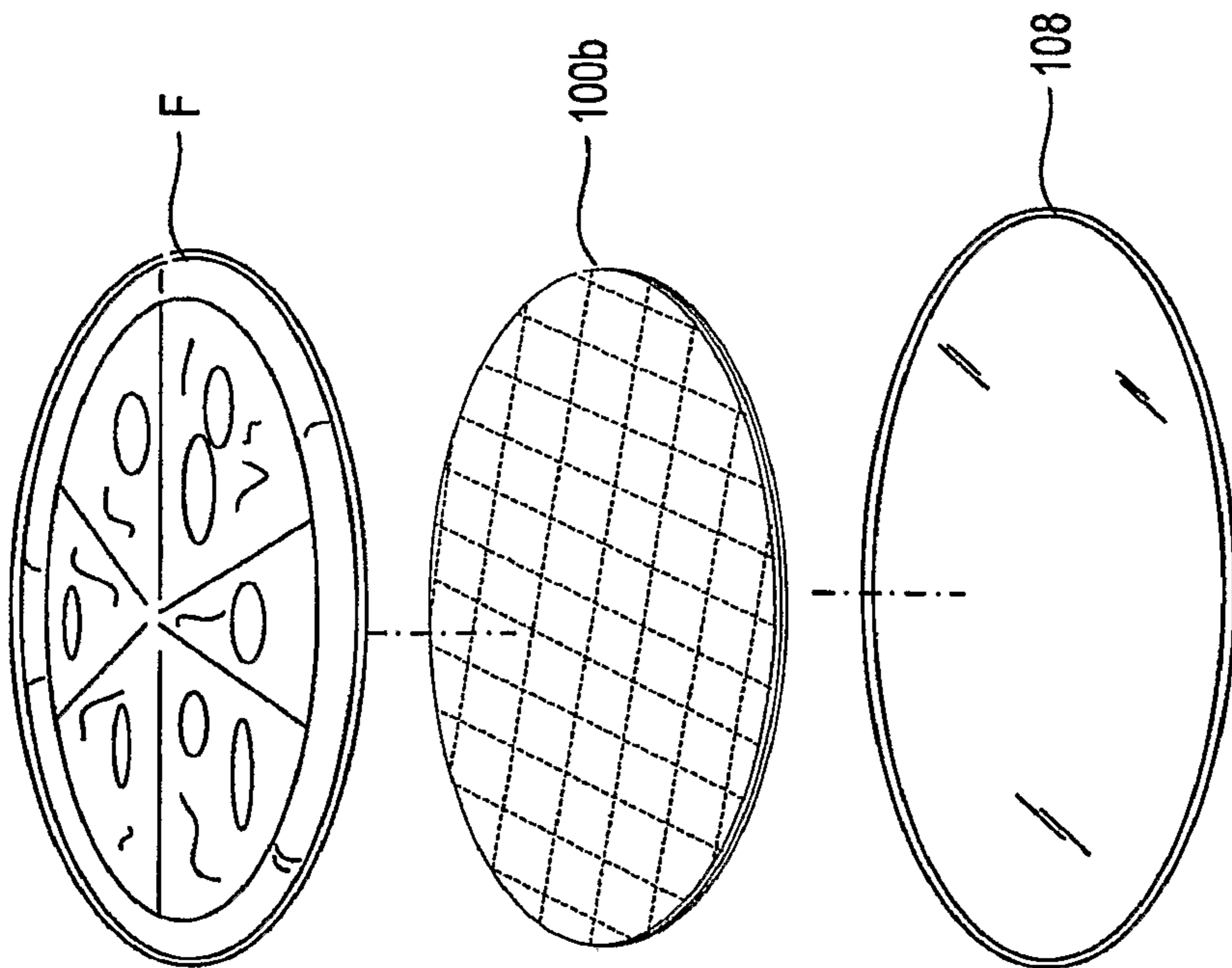


FIG. 1D

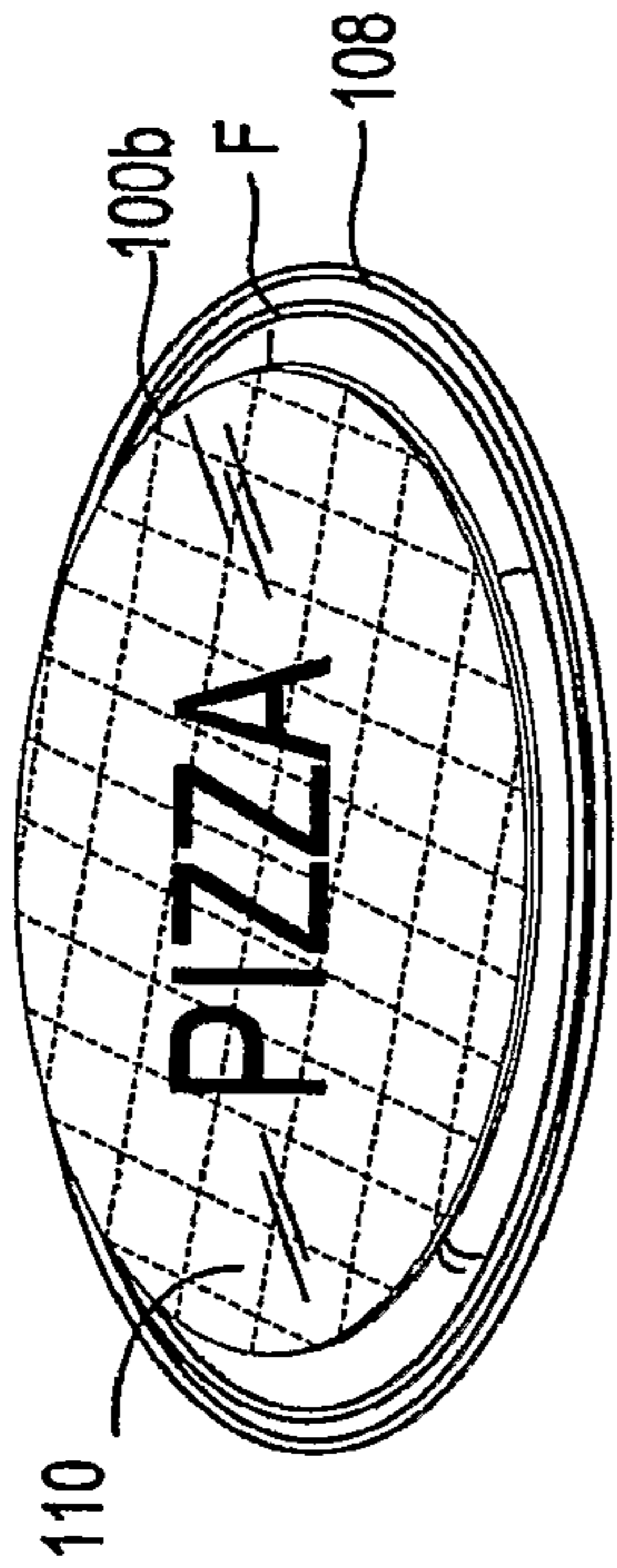


FIG. 1G

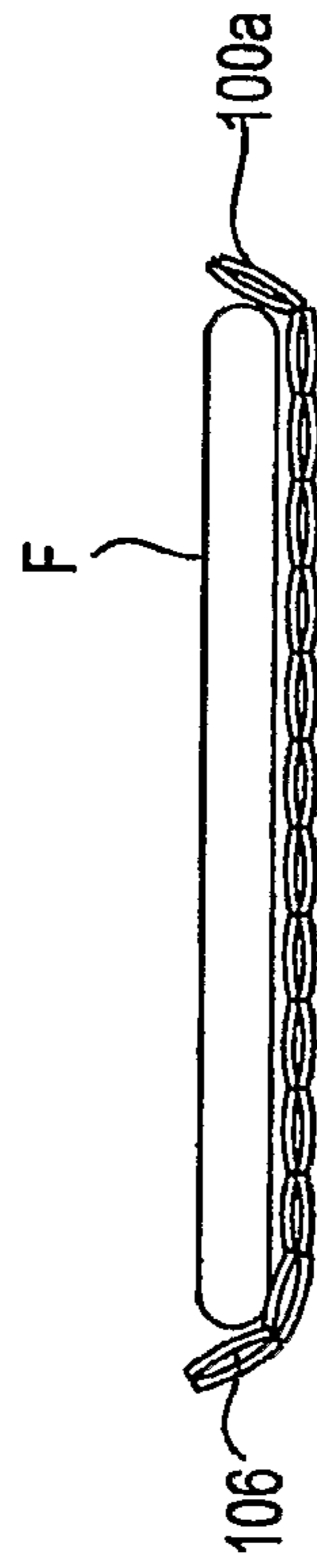


FIG. 1H

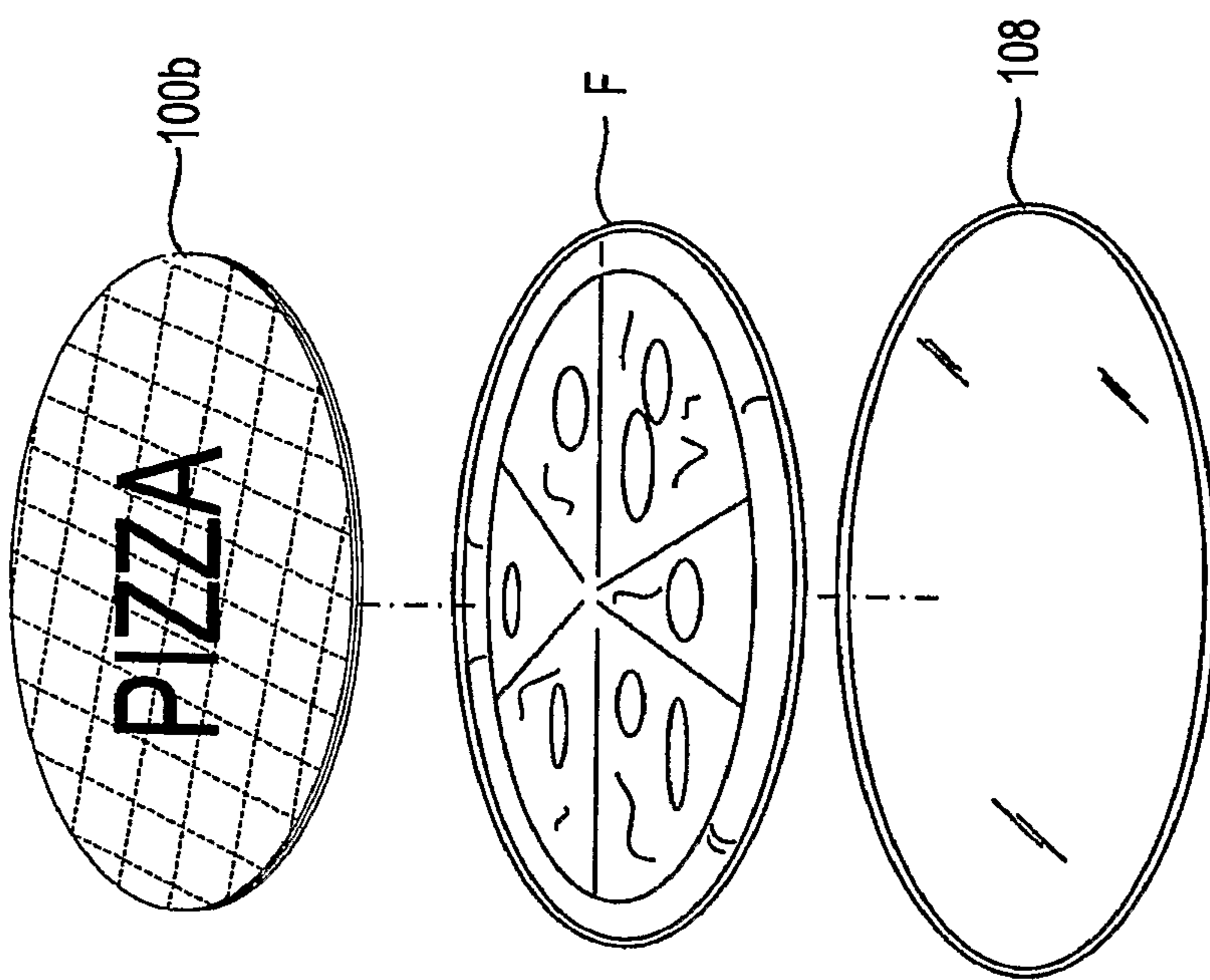


FIG. 1F

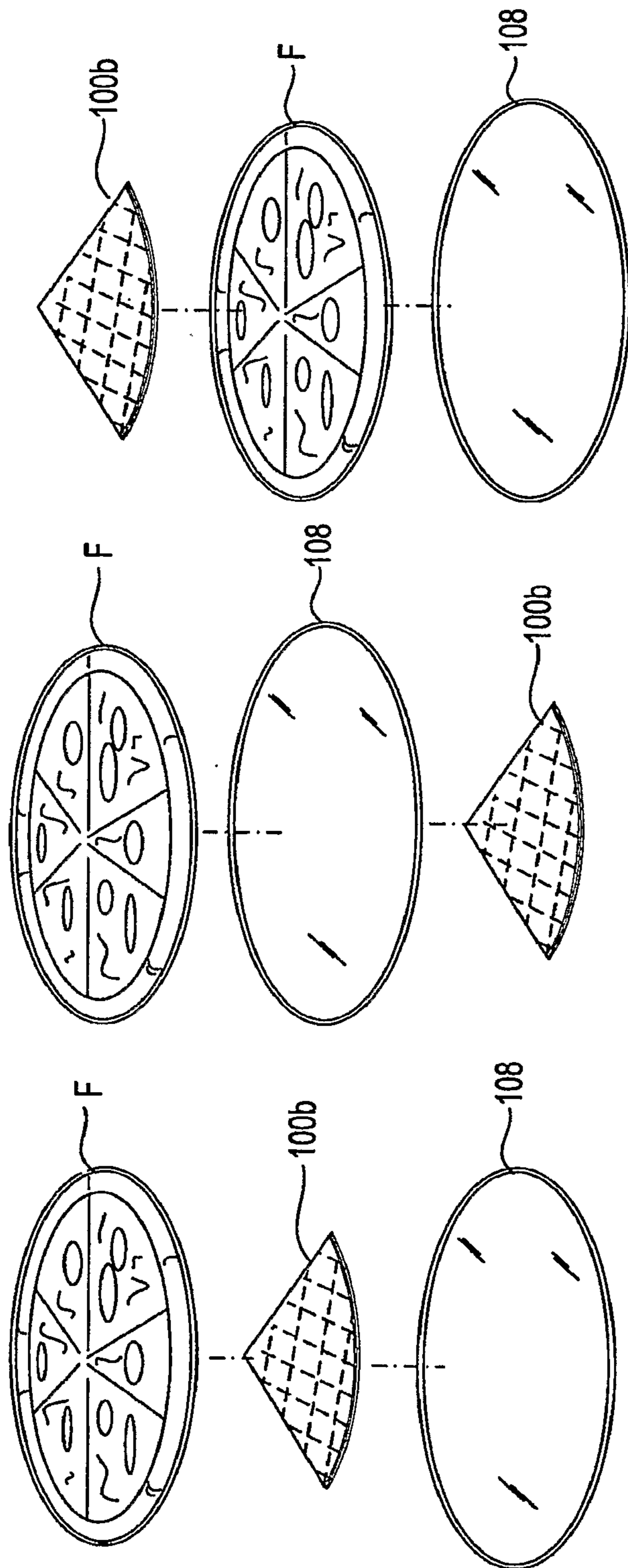


FIG. 1J

FIG. 1K

FIG. 1L

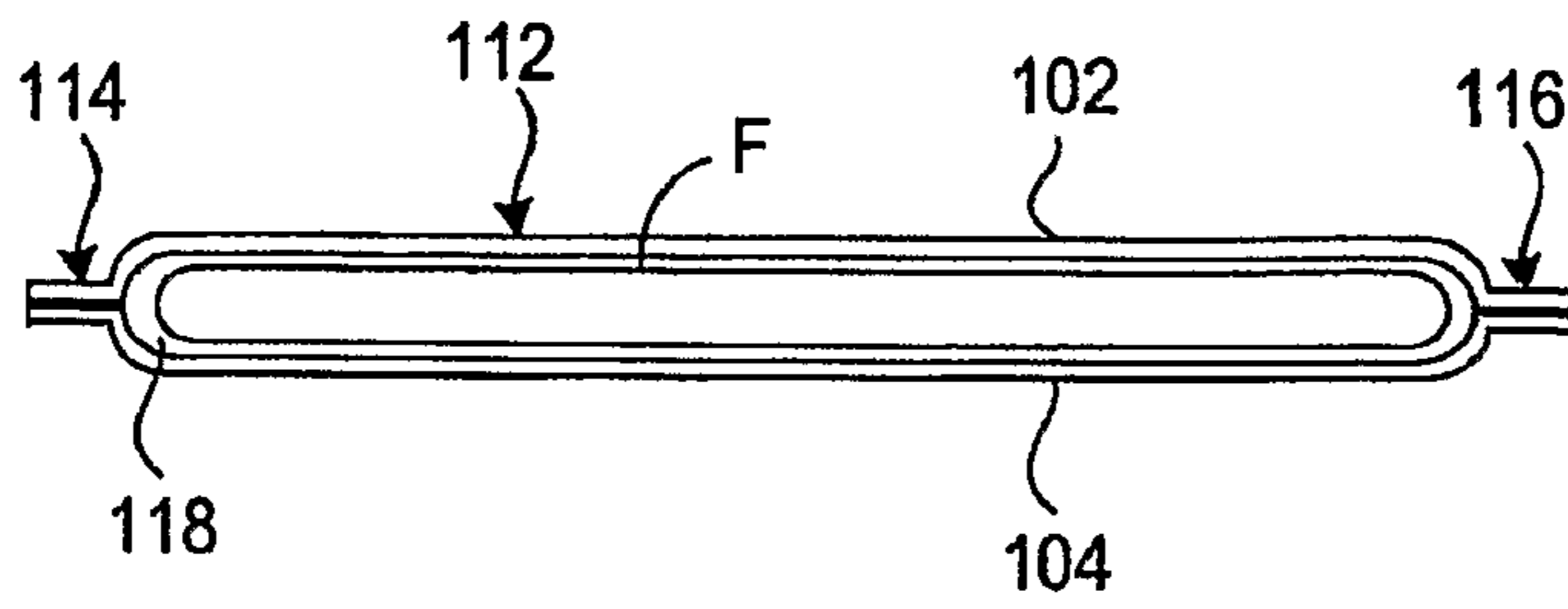


FIG. 1M

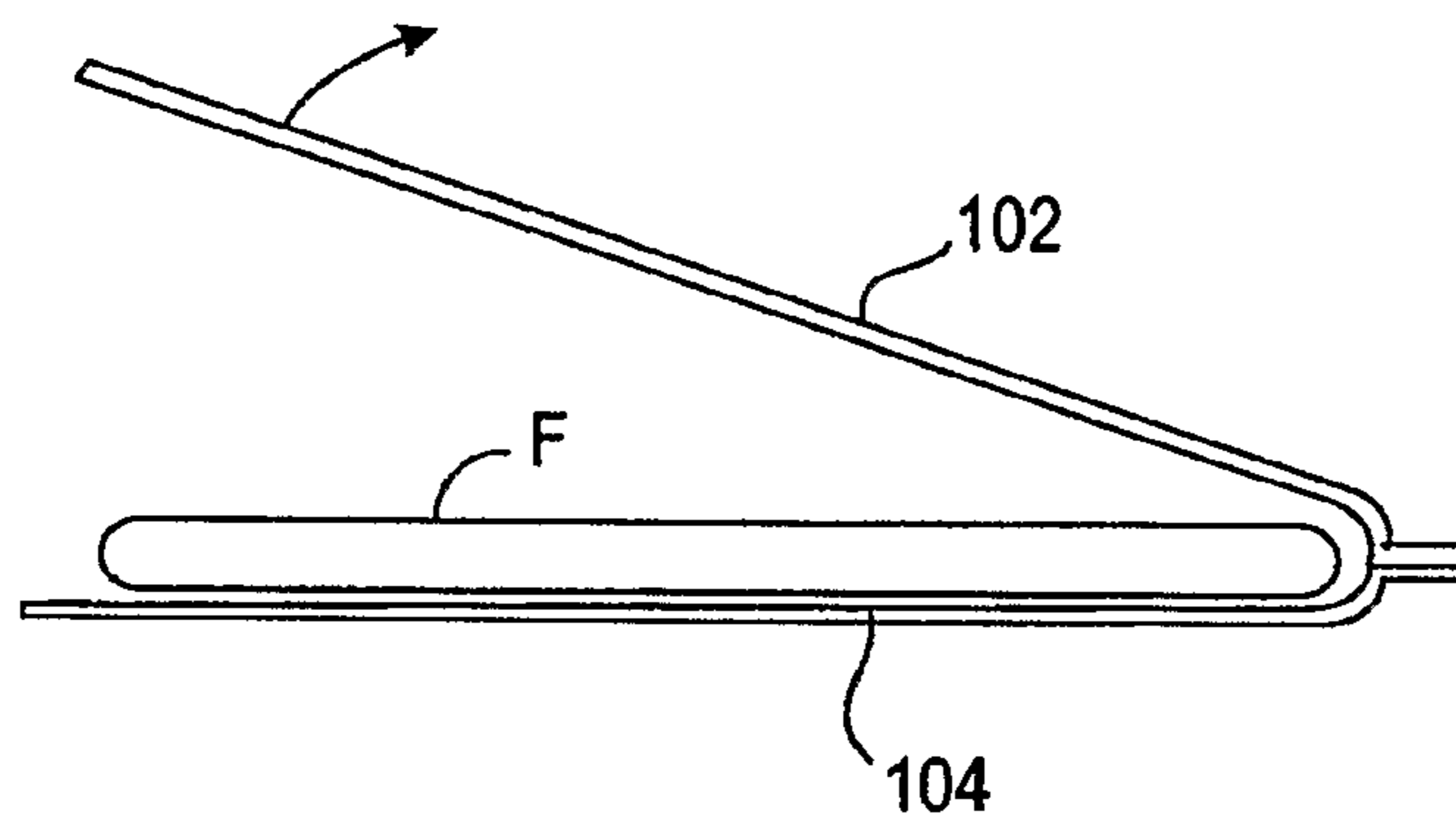


FIG. 1N

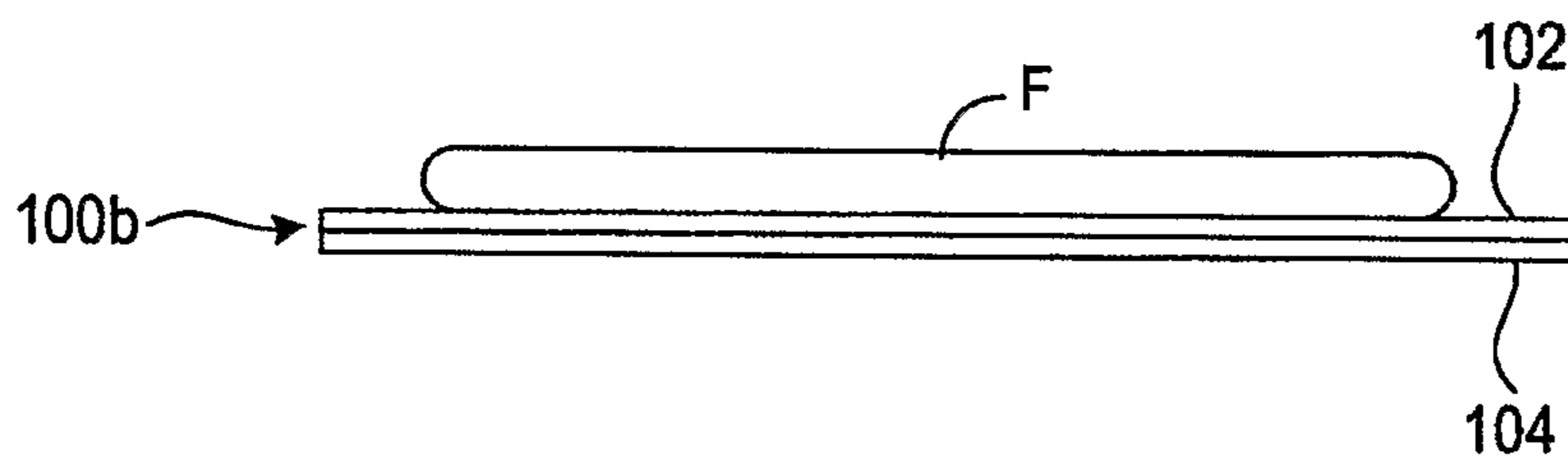


FIG. 1P

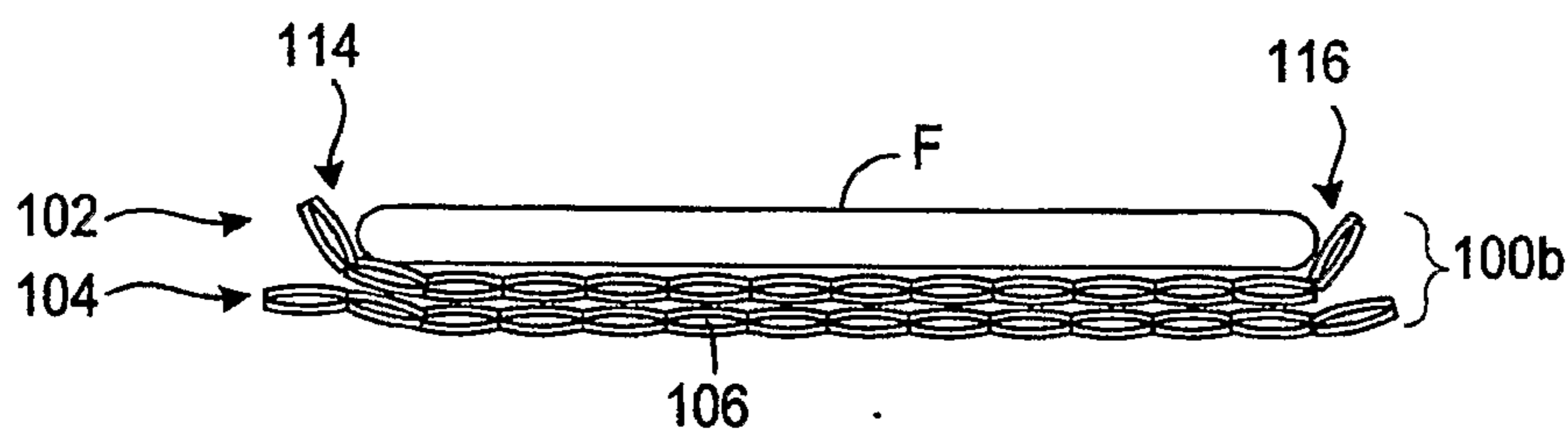


FIG. 1Q

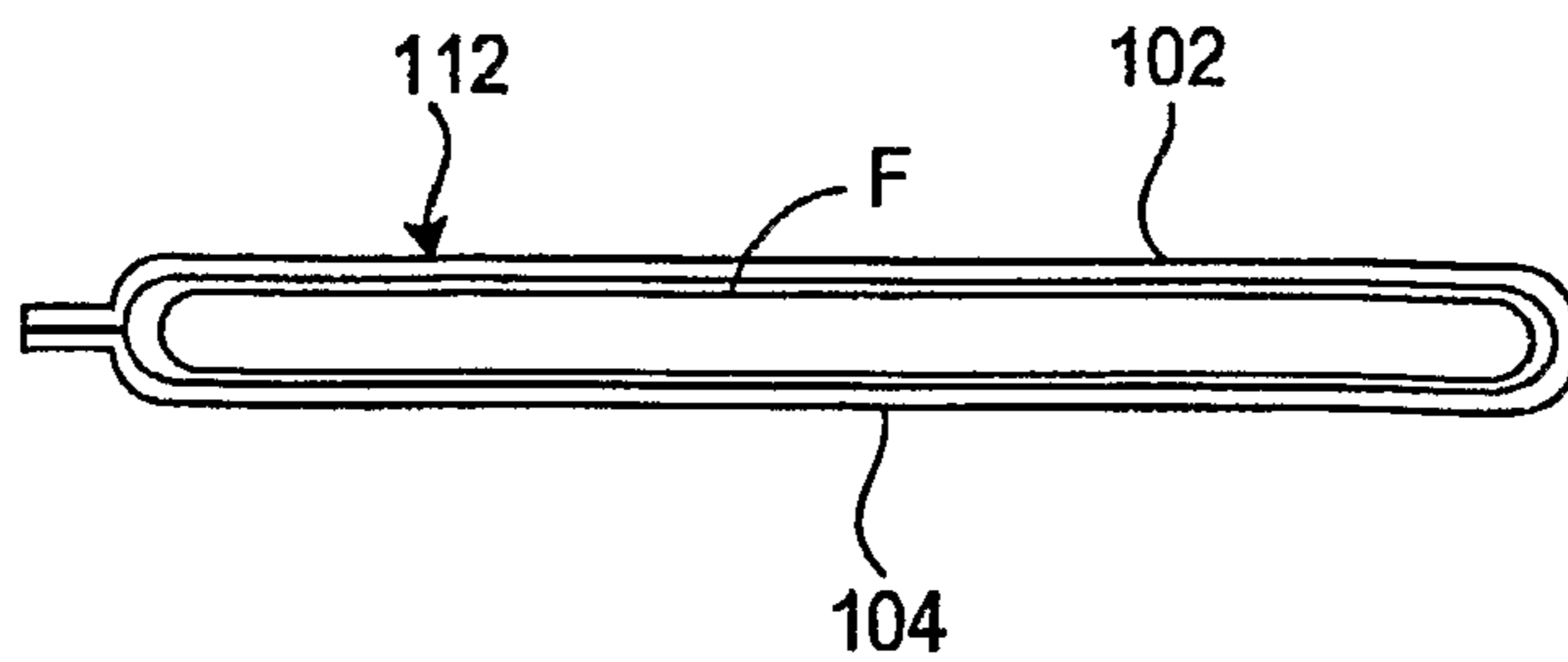


FIG. 1R

6/15

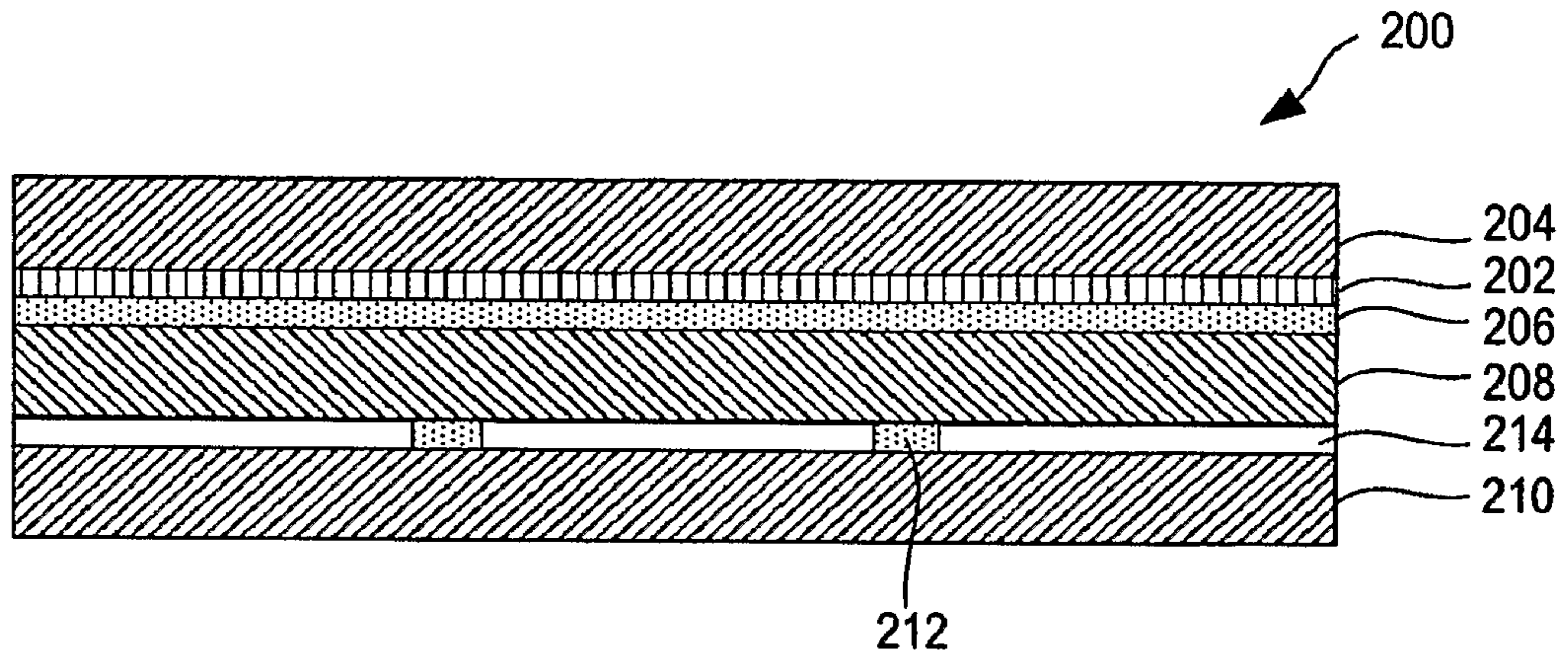


FIG. 2A

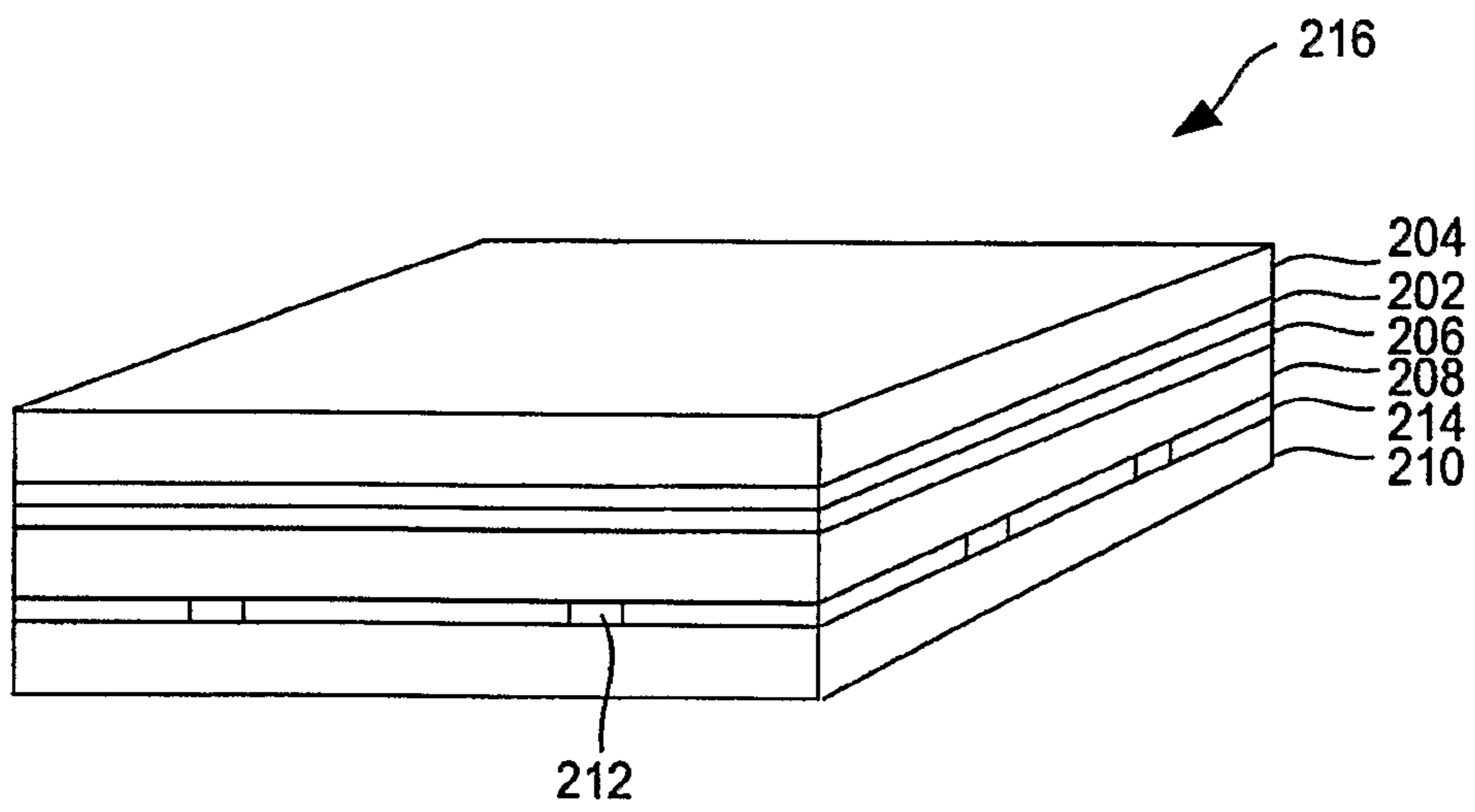


FIG. 2B

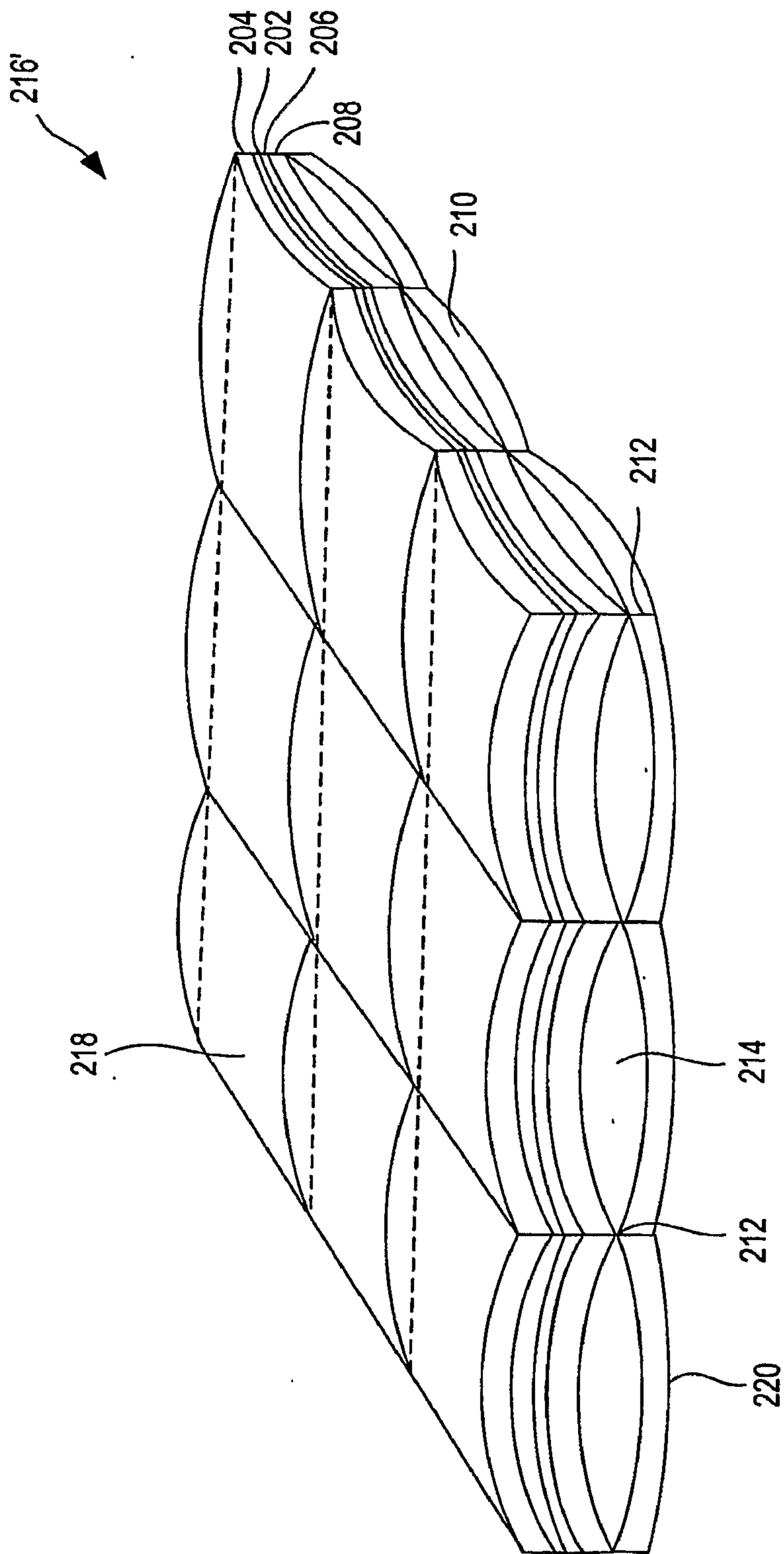


FIG. 2C

8/15

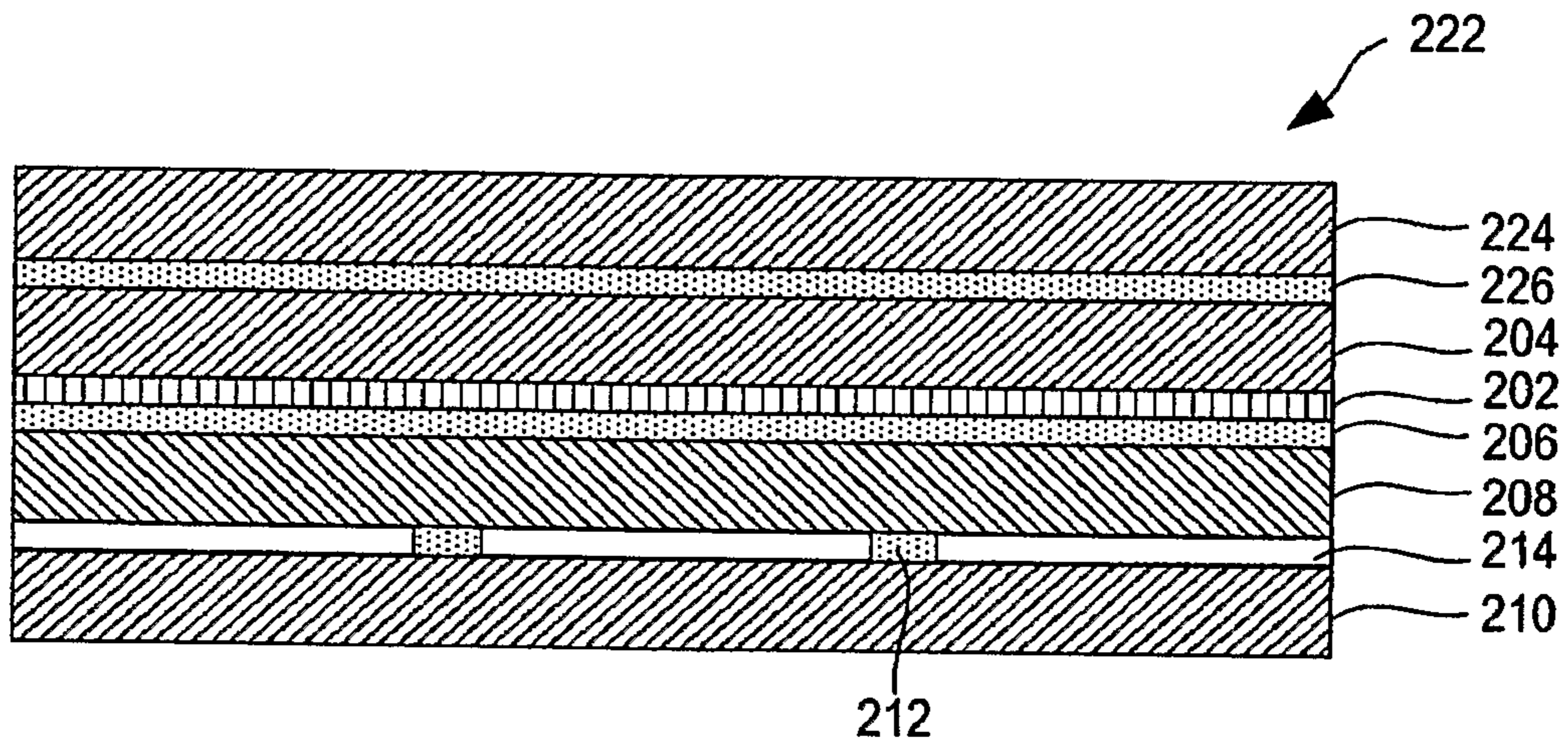


FIG. 2D

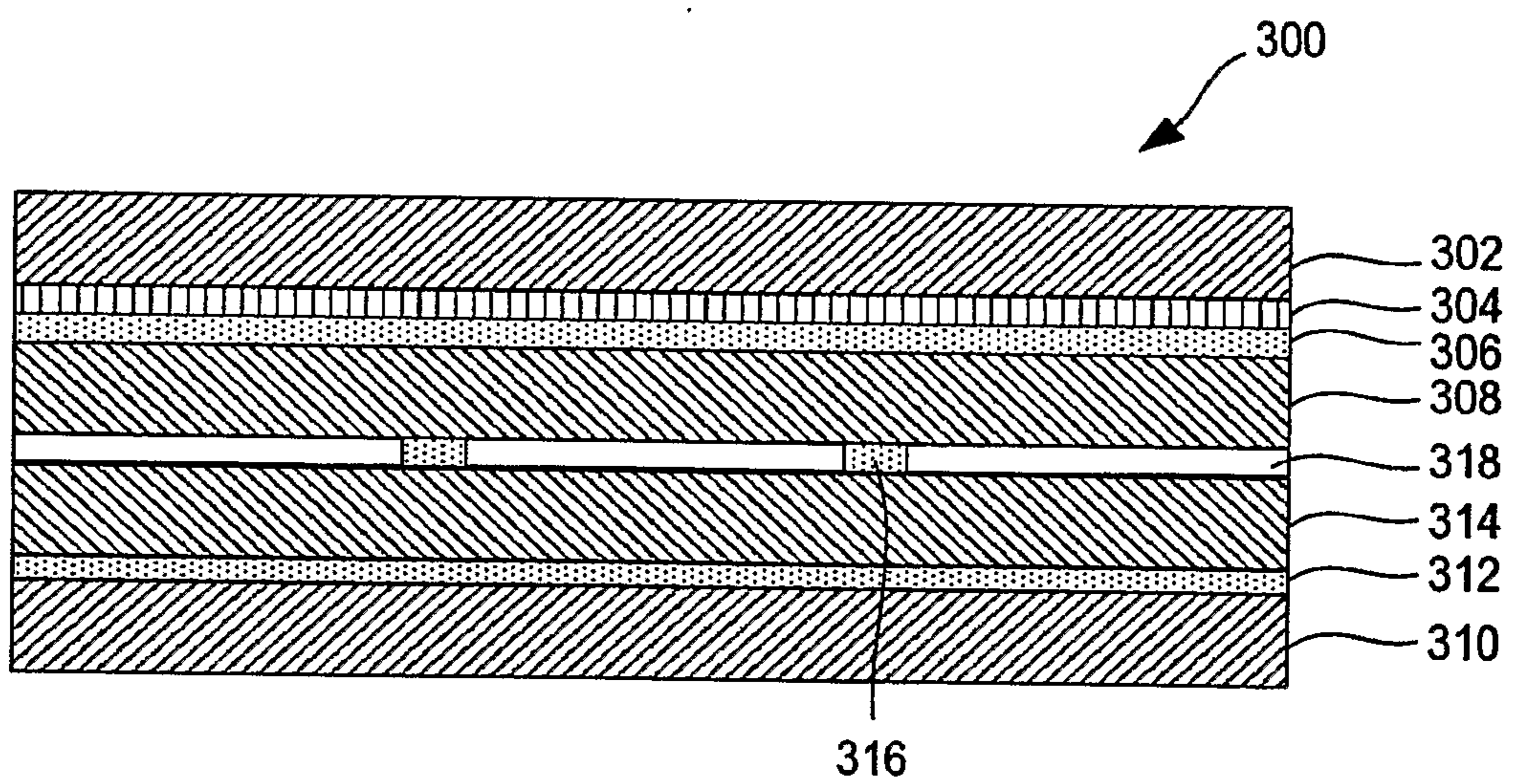


FIG. 3

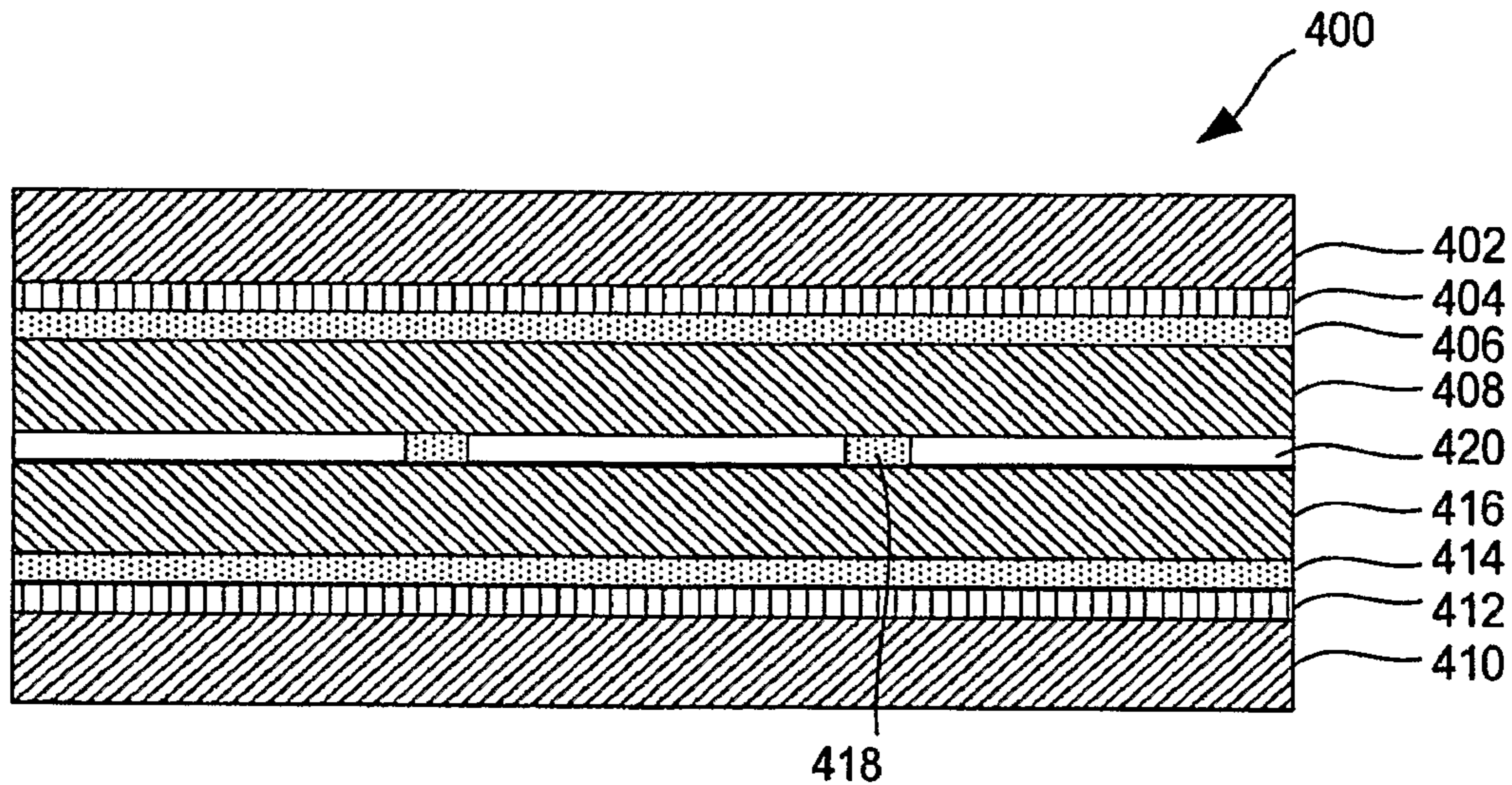


FIG. 4

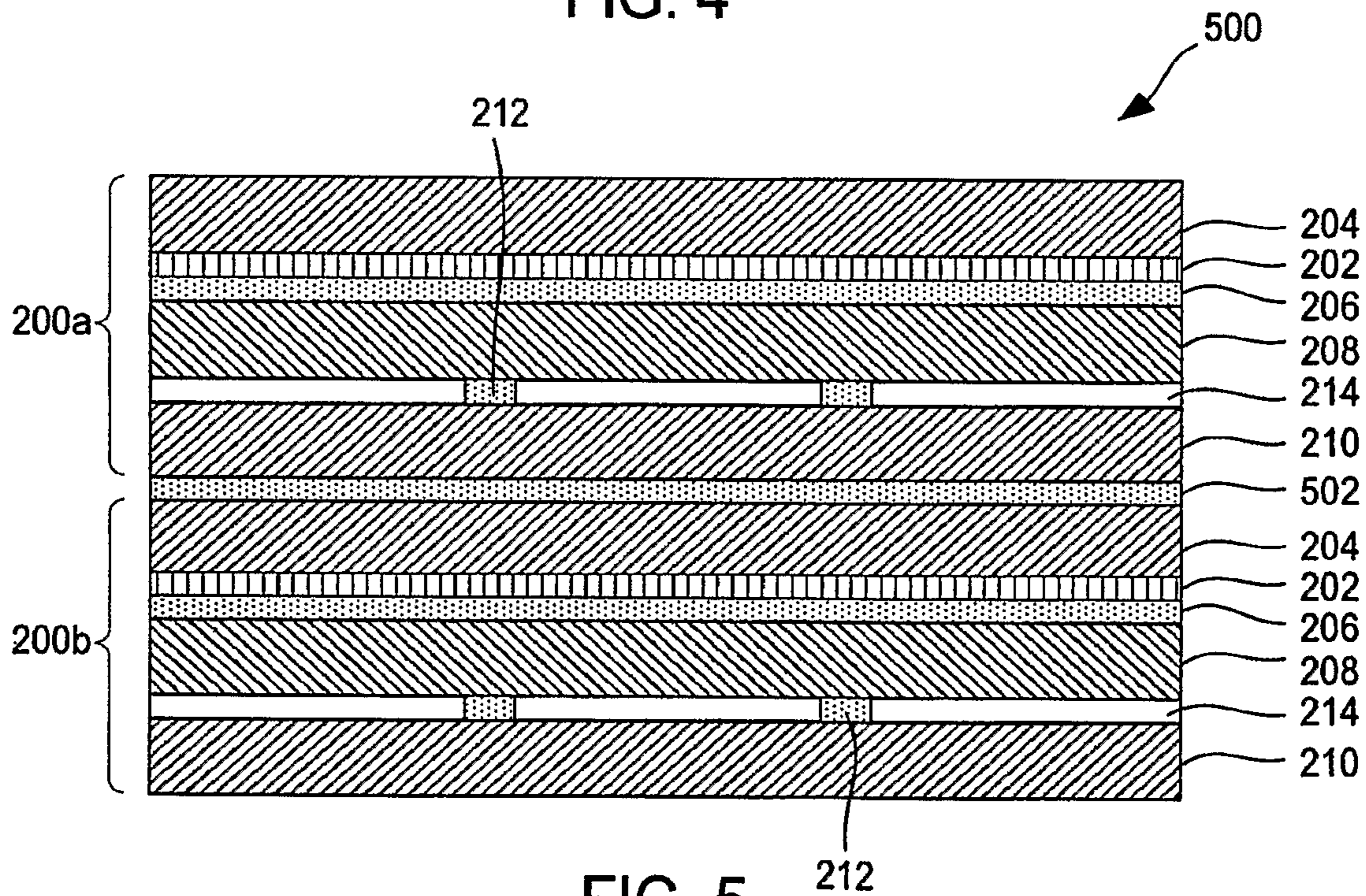


FIG. 5

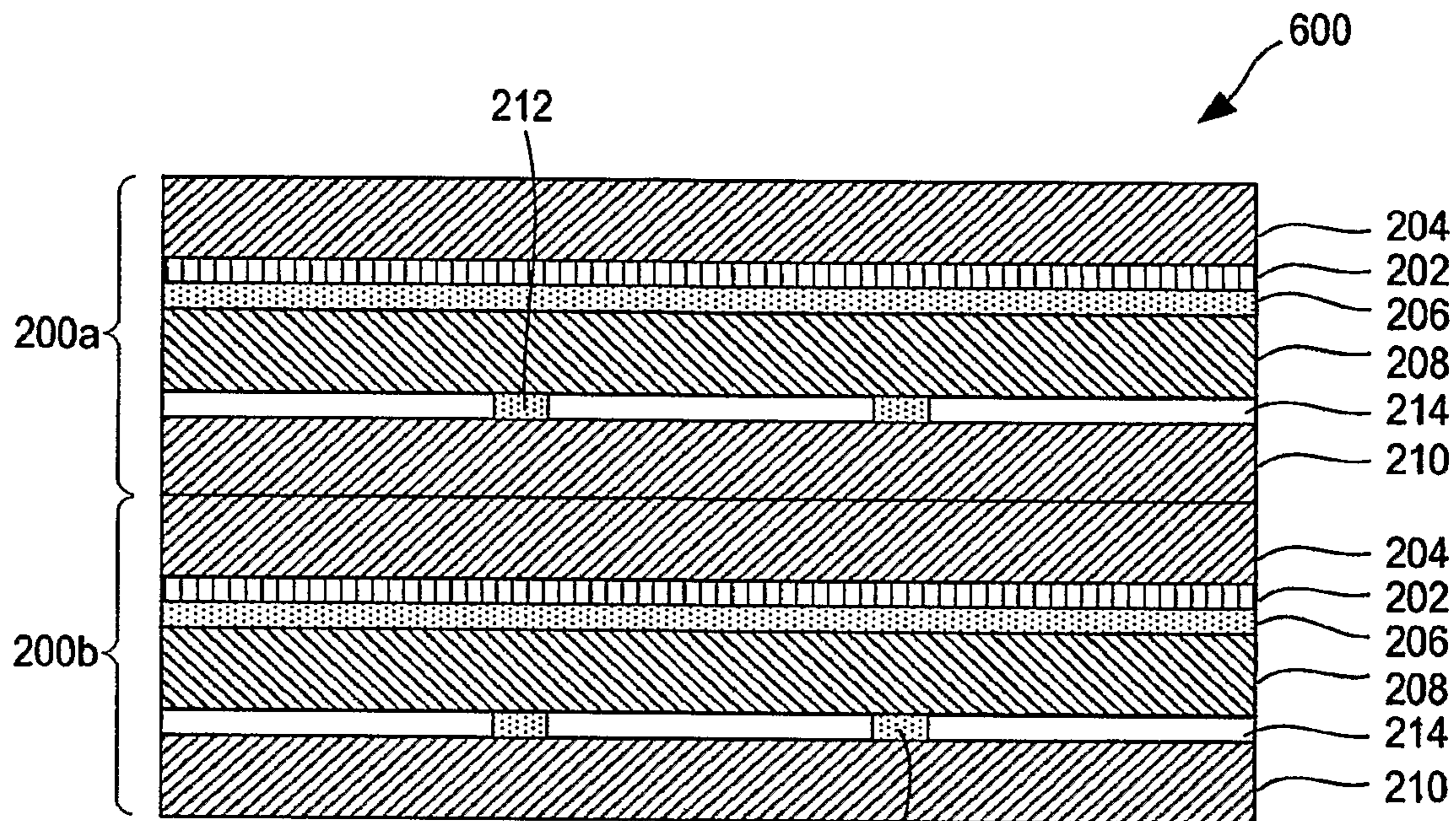


FIG. 6

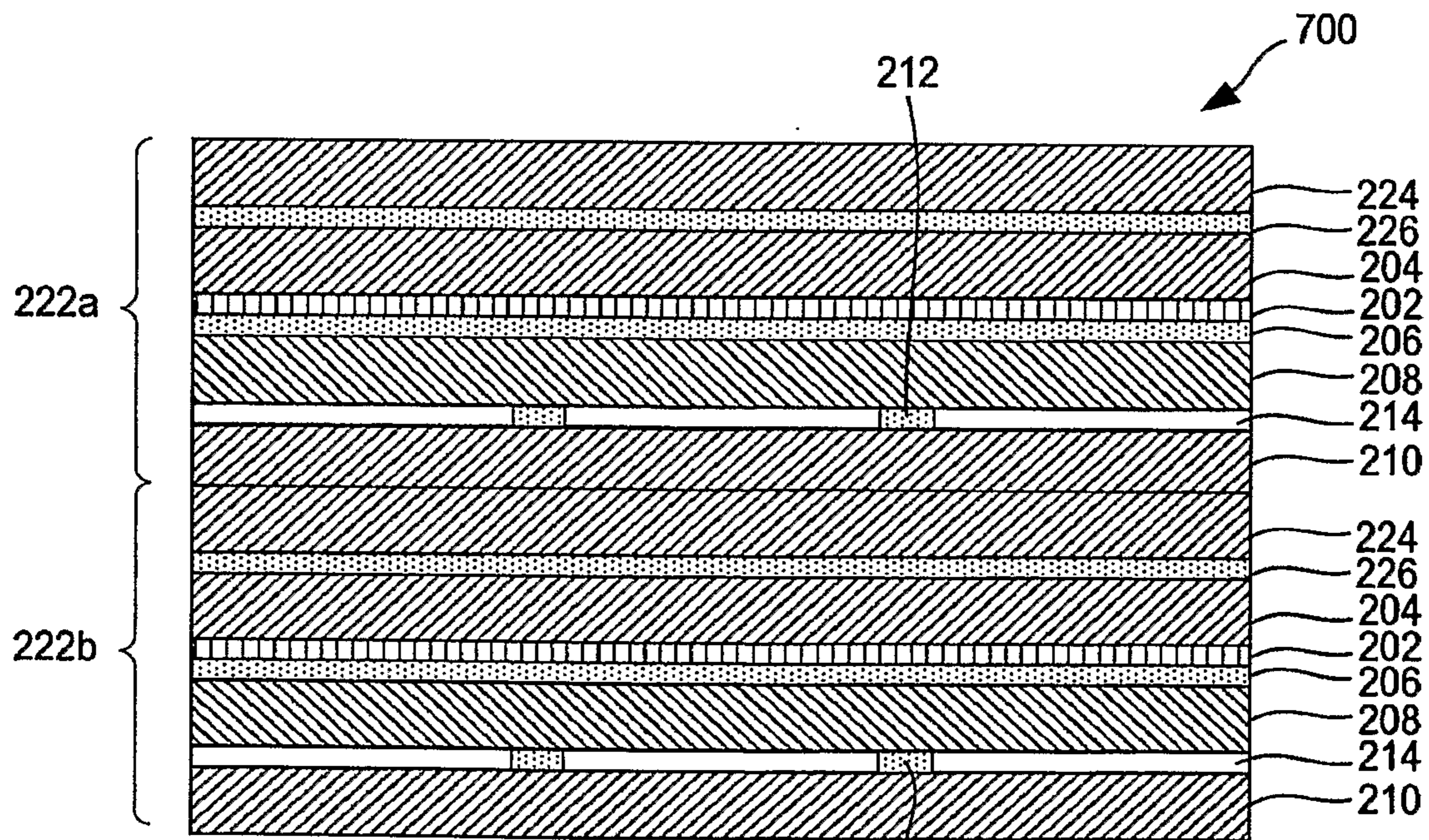


FIG. 7

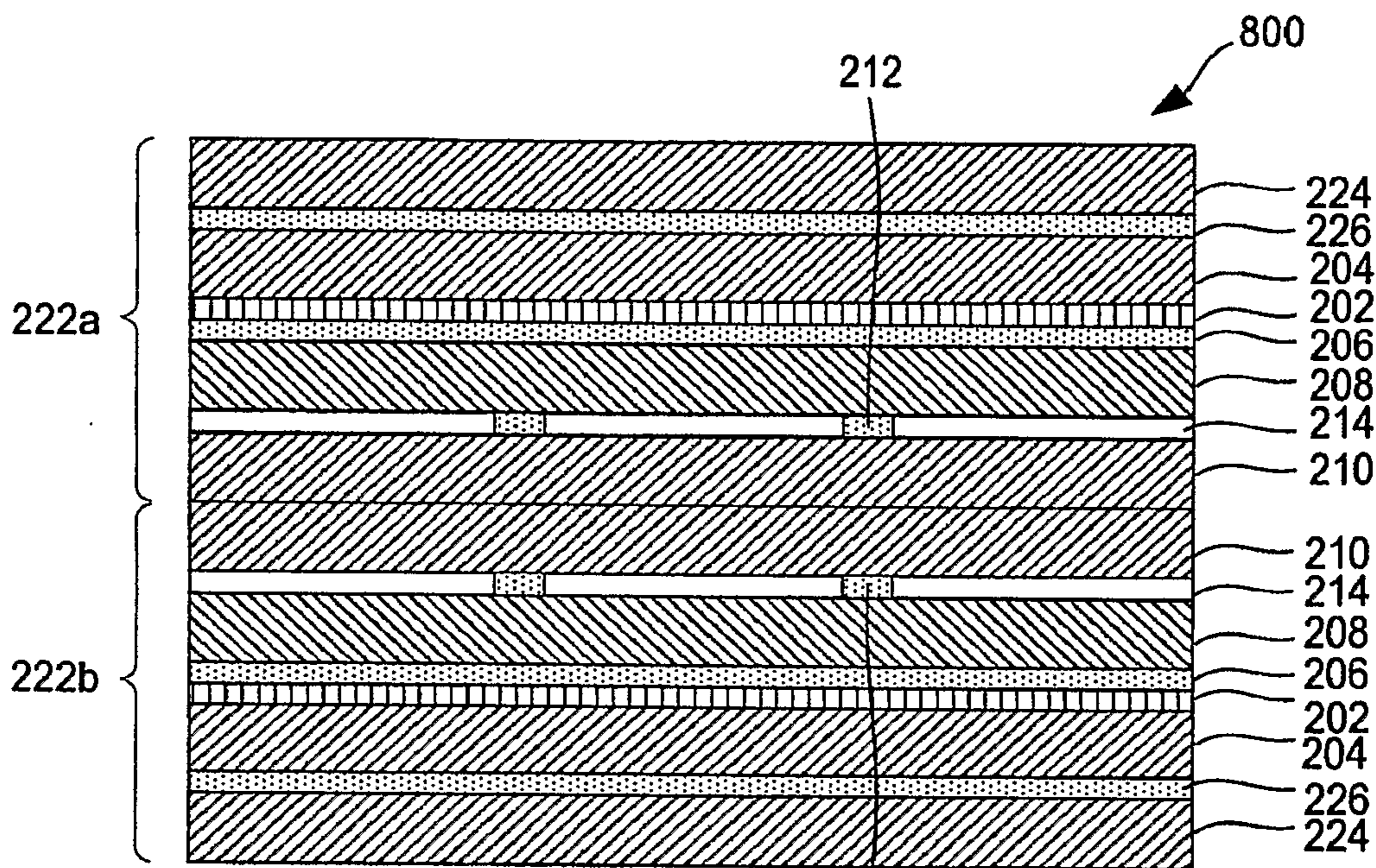


FIG. 8

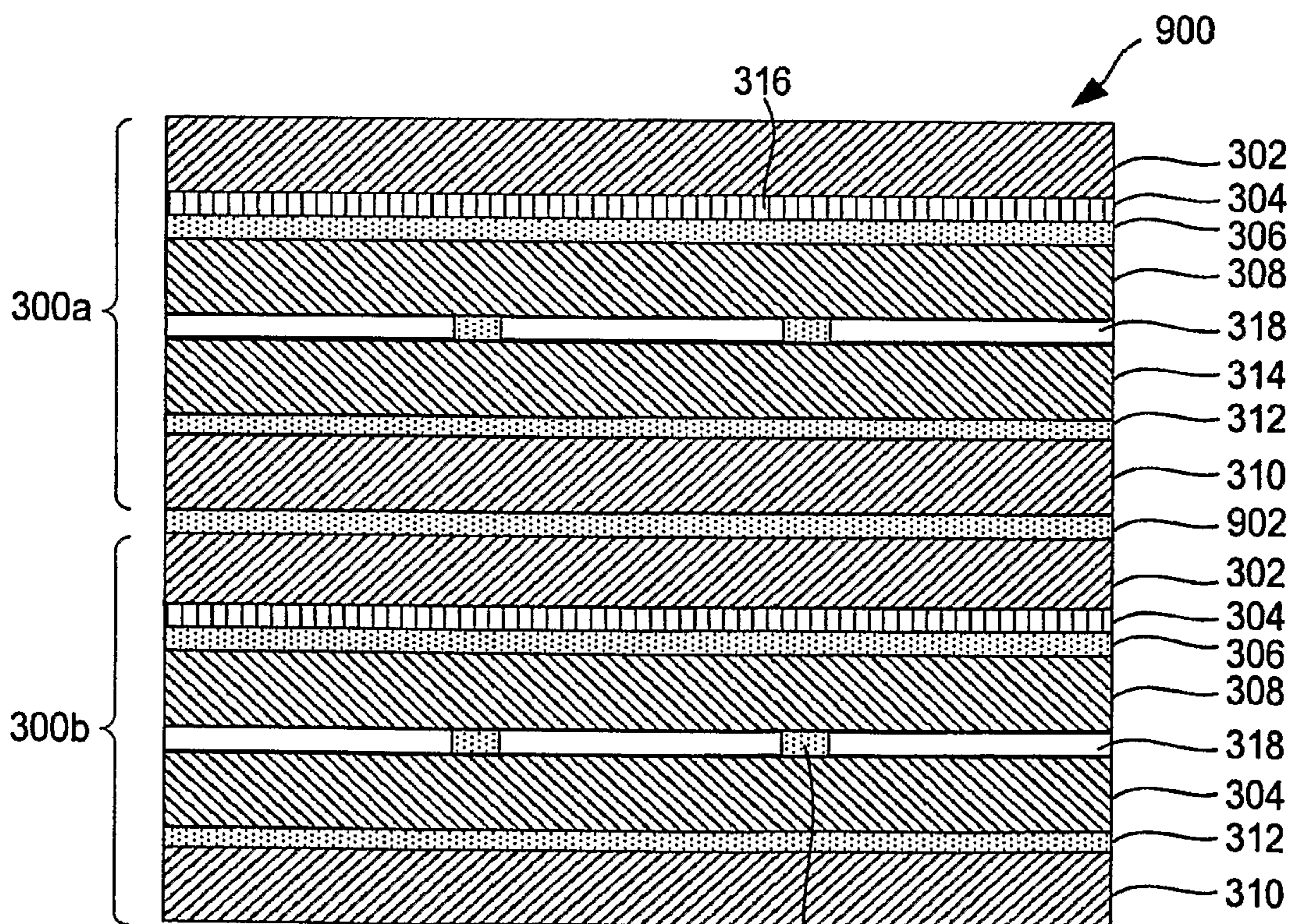


FIG. 9

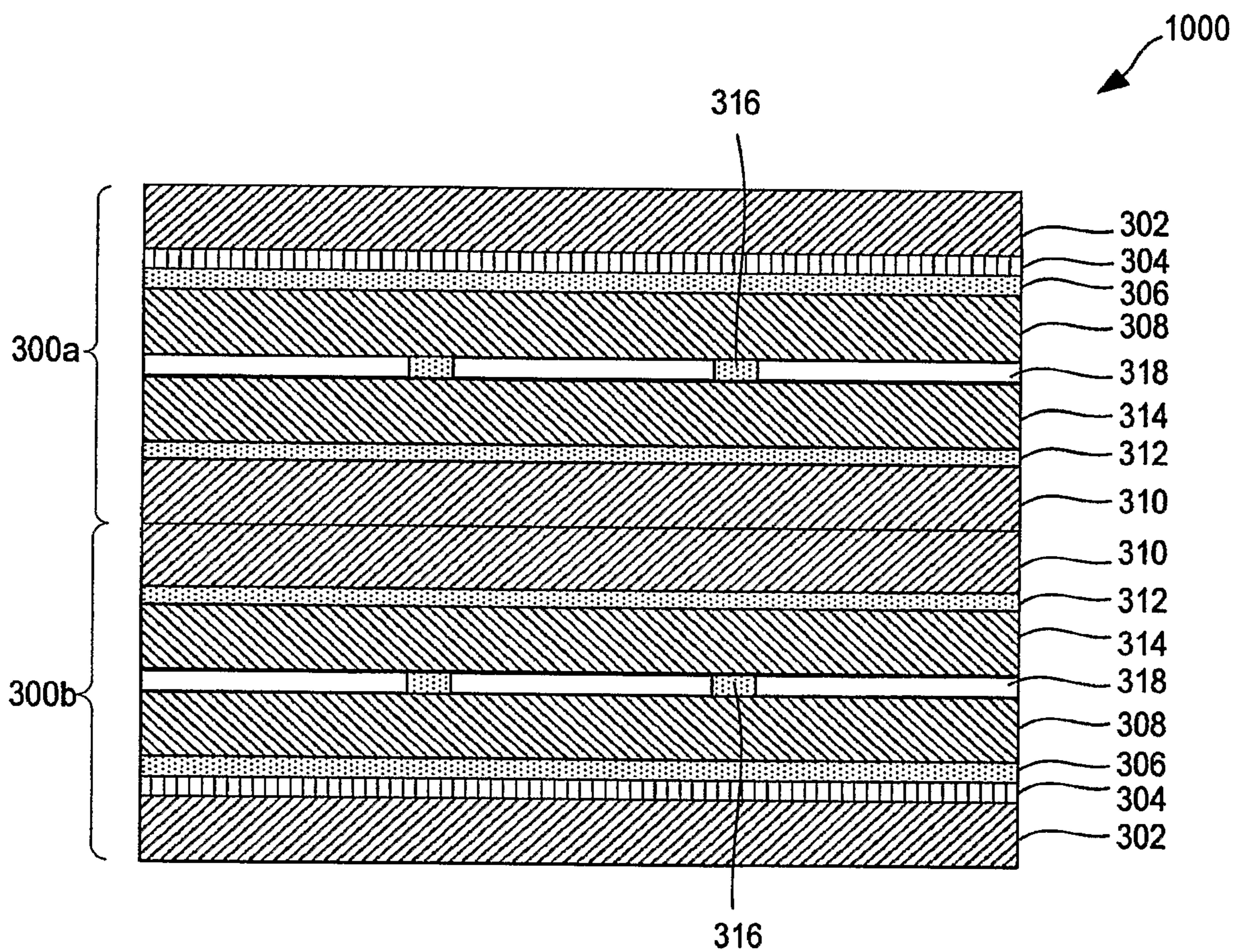


FIG. 10

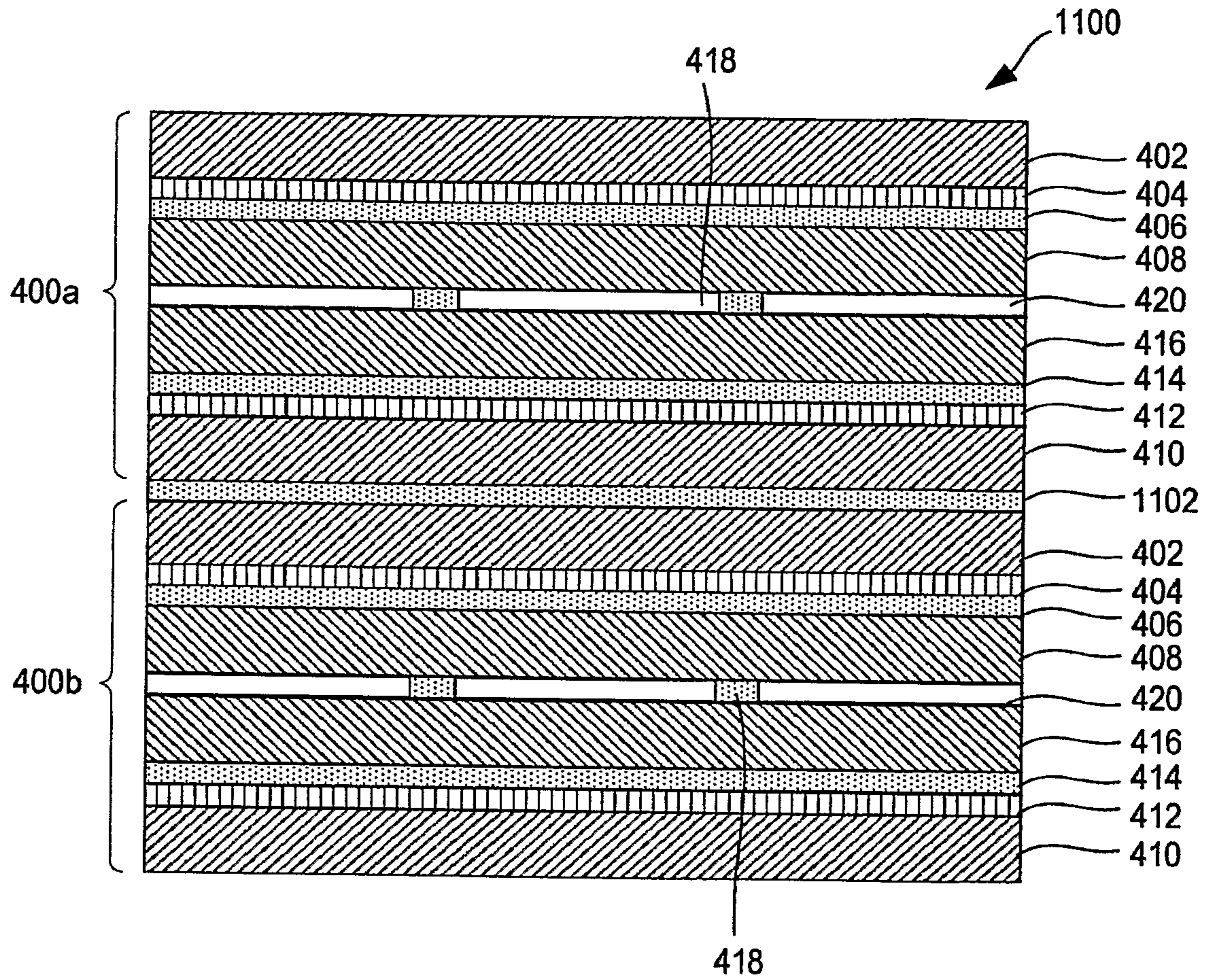
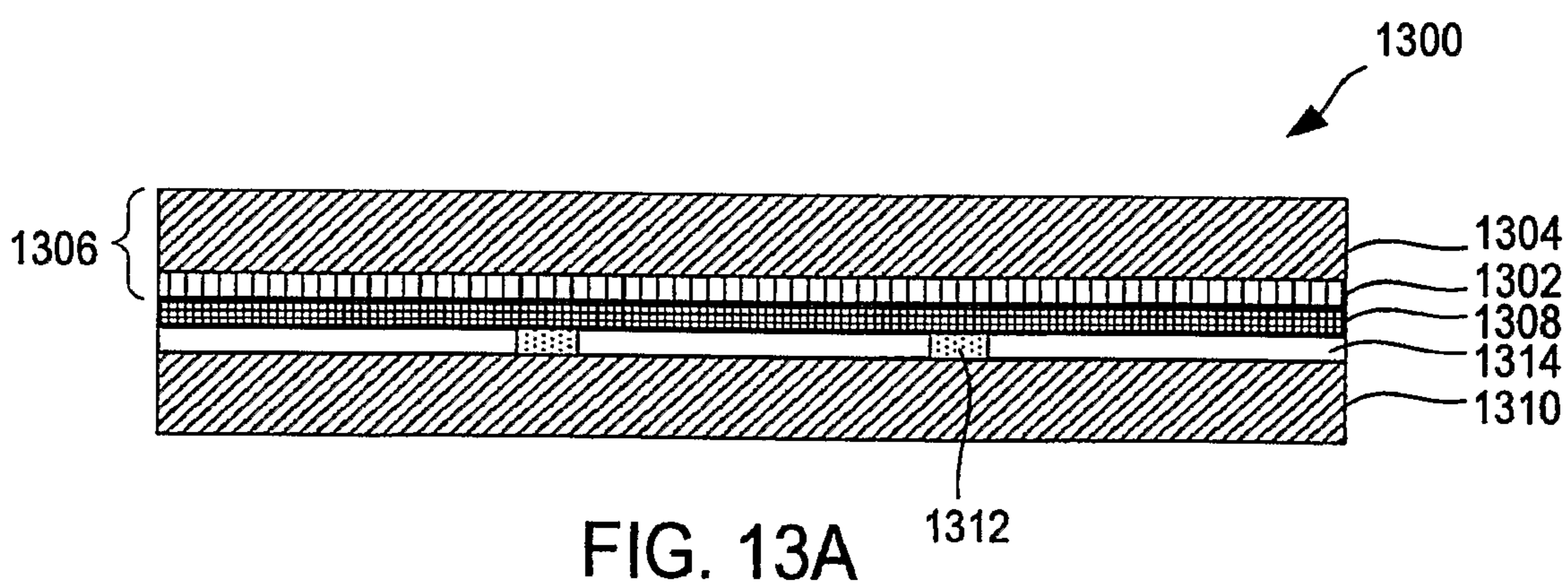
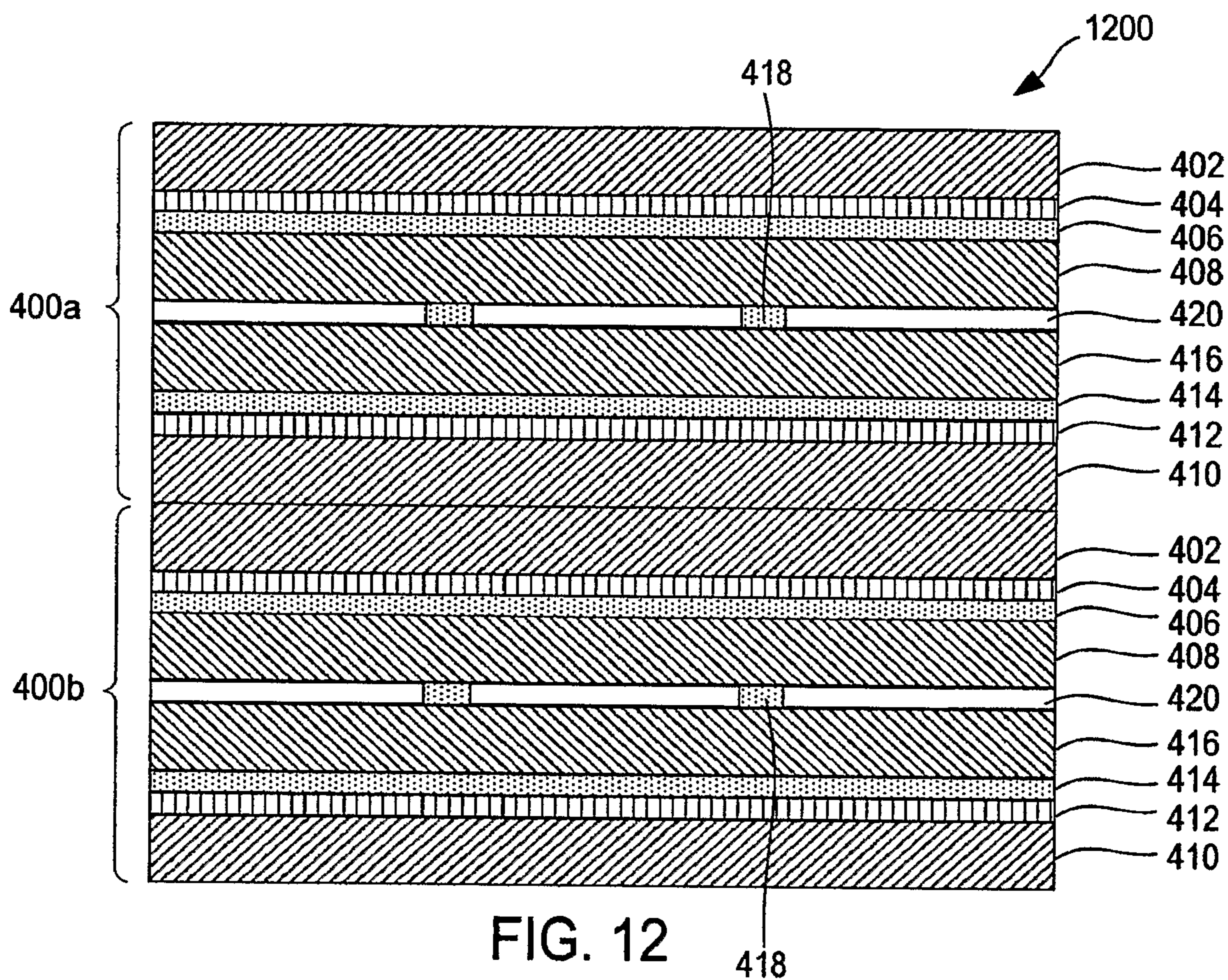


FIG. 11



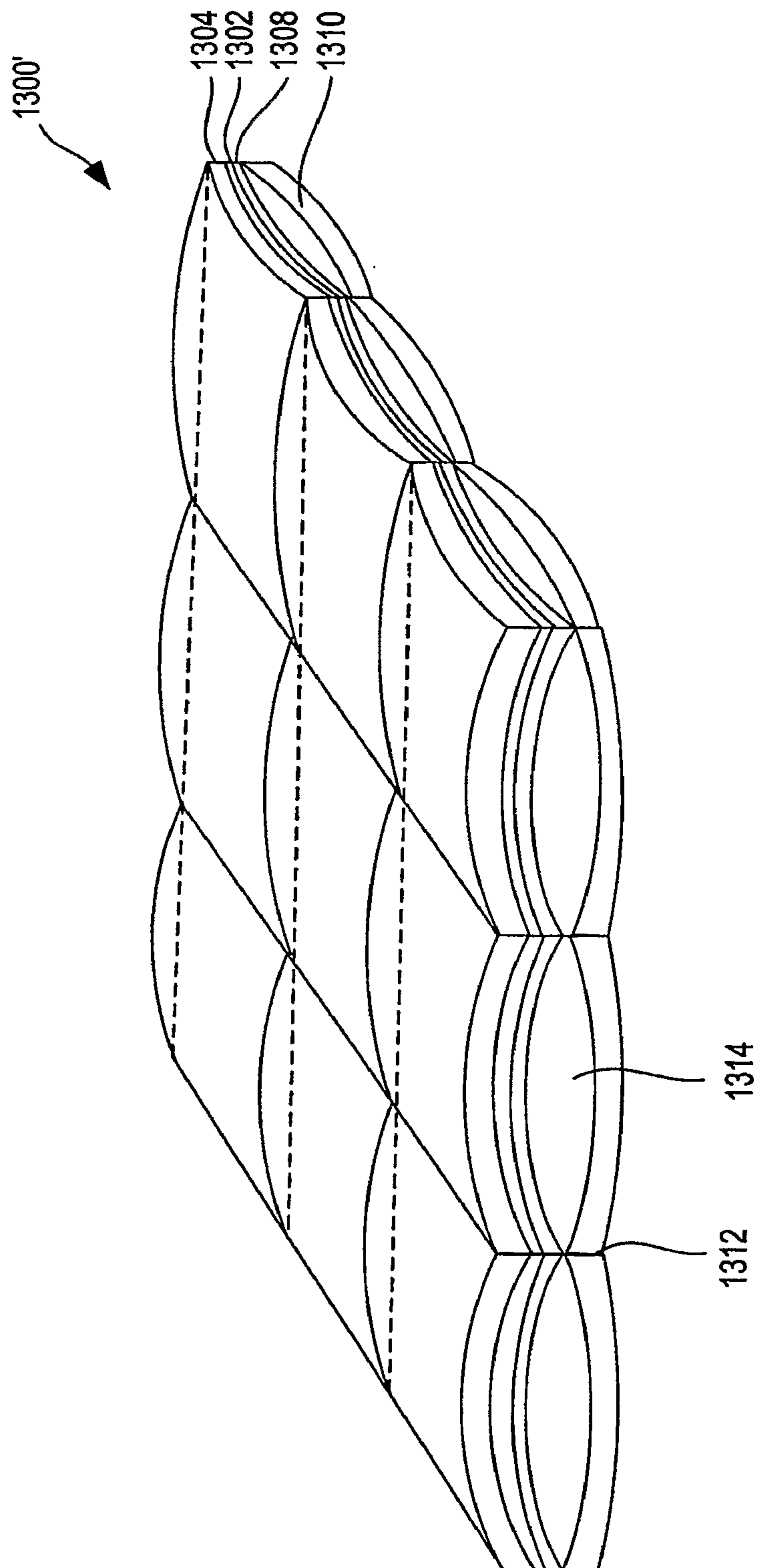


FIG. 13B

