



US0D1021907S

(12) **United States Design Patent**  
**Wang**

(10) **Patent No.:** **US D1,021,907 S**

(45) **Date of Patent:** **\*\* Apr. 9, 2024**

(54) **CAR DISPLAY SCREEN PROTECTOR**

(71) Applicant: **Fuyun Wang**, Yiyang (CN)

(72) Inventor: **Fuyun Wang**, Yiyang (CN)

(73) Assignee: **Fuyun Wang**, Yiyang (CN)

(\*\*) Term: **15 Years**

(21) Appl. No.: **29/919,773**

(22) Filed: **Dec. 6, 2023**

(30) **Foreign Application Priority Data**

Nov. 24, 2023 (CN) ..... 202330771882.1

(51) **LOC (14) Cl.** ..... **14-02**

(52) **U.S. Cl.**  
USPC ..... **D14/440**

(58) **Field of Classification Search**  
USPC ..... D14/440, 447, 455, 439  
CPC .... G06F 1/1628; G06F 1/1626; G06F 1/1671;  
A47B 23/044; A45C 11/00; H04B 1/3888  
See application file for complete search history.

(56) **References Cited**

**U.S. PATENT DOCUMENTS**

D237,754 S *	11/1975	Ray, Jr. ....	D14/440
D665,808 S *	8/2012	Wang ....	D14/248
D736,777 S *	8/2015	Rayner ....	D14/440
9,285,634 B2 *	3/2016	Kim ....	G02B 6/0093
9,299,314 B2 *	3/2016	Lee ....	G06F 3/03547
D758,363 S *	6/2016	Akana ....	D14/344
9,366,802 B2 *	6/2016	Lee ....	G02B 6/0081
9,430,180 B2 *	8/2016	Hirakata ....	G06F 3/1446
D770,533 S *	11/2016	Akana ....	D14/496
D776,075 S *	1/2017	Kim ....	D14/138 G
D776,112 S *	1/2017	Bae ....	D14/374
D781,292 S *	3/2017	Bae ....	D14/374
D800,172 S *	10/2017	Akana ....	D14/511
D800,725 S *	10/2017	Akana ....	D14/371

D802,590 S *	11/2017	Bae ....	D14/374
D808,961 S *	1/2018	Lee ....	D14/344
D854,433 S *	7/2019	Vandenbussche ....	D10/70
10,624,219 B2 *	4/2020	Sisson ....	G06F 3/0481
D895,615 S *	9/2020	Vandenbussche ....	D14/344
D900,112 S *	10/2020	Cho ....	D14/439
D900,813 S *	11/2020	Akana ....	D14/371
D902,213 S *	11/2020	Cho ....	D14/439
D904,364 S *	12/2020	Kim ....	D14/248
D910,012 S *	2/2021	Vandenbussche ....	D14/344
D910,617 S *	2/2021	Vandenbussche ....	D14/344
D912,057 S *	3/2021	Chang ....	D14/439
D912,062 S *	3/2021	Jones ....	D14/440
D915,409 S *	4/2021	Koo ....	D14/439

(Continued)

*Primary Examiner* — Cynthia R Underwood

(74) *Attorney, Agent, or Firm* — Nitin Kaushik

(57) **CLAIM**

The ornamental design for a car display screen protector, as shown and described.

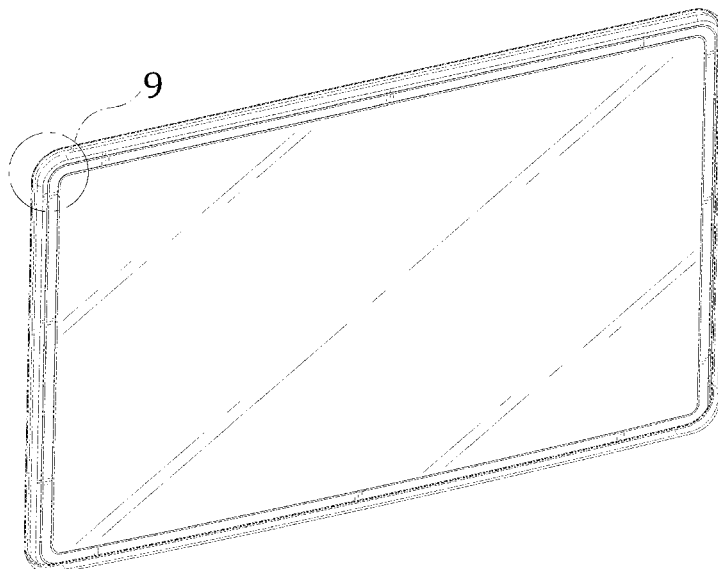
**DESCRIPTION**

FIG. 1 is a front perspective view of a car display screen protector, showing my new design;  
FIG. 2 is a rear perspective view thereof;  
FIG. 3 is a front view thereof;  
FIG. 4 is a rear view thereof;  
FIG. 5 is a left side view thereof;  
FIG. 6 is a right side view thereof;  
FIG. 7 is a top view thereof;  
FIG. 8 is a bottom view thereof; and,  
FIG. 9 is an enlarged detail view of area 9 in FIG. 2.

The broken lines in the drawings illustrate the portions of the car display screen protector, which form no part of the claimed design.

The dash-dot-dash broken lines encircling the enlarged views are for annotative purposes only and form no part of the claim thereof.

**1 Claim, 9 Drawing Sheets**



(56)

**References Cited**

U.S. PATENT DOCUMENTS

D917,490	S	*	4/2021	Lee	.....	D14/439
D920,147	S	*	5/2021	Liu	.....	D14/440
D920,334	S	*	5/2021	Akana	.....	D14/439
D926,192	S	*	7/2021	Chang	.....	D14/439
D926,765	S	*	8/2021	Akana	.....	D14/439
D926,767	S	*	8/2021	Akana	.....	D14/439
D927,492	S	*	8/2021	Cho	.....	D14/439
D928,163	S	*	8/2021	Akana	.....	D14/439
D942,981	S	*	2/2022	Kim	.....	D14/440
D943,588	S	*	2/2022	Koo	.....	D14/440
11,248,742	B2	*	2/2022	Gioco	.....	G06F 1/1637
D952,642	S	*	5/2022	Beckstead	.....	D14/440
D959,315	S	*	8/2022	Xiao	.....	D14/440
D983,207	S		4/2023	Zheng		
2021/0317948	A1	*	10/2021	Gioco	.....	F16M 13/022

\* cited by examiner

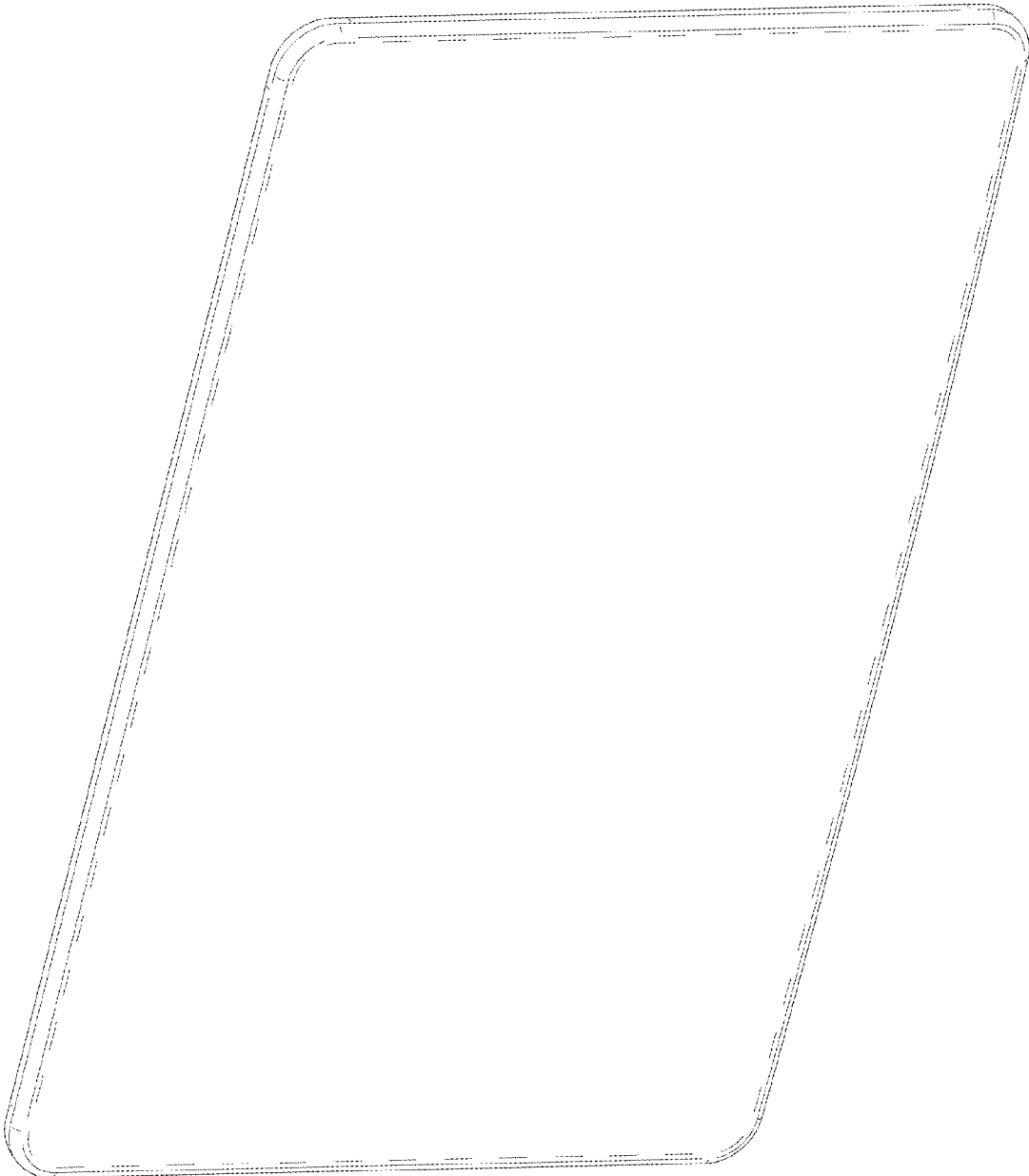


FIG. 1

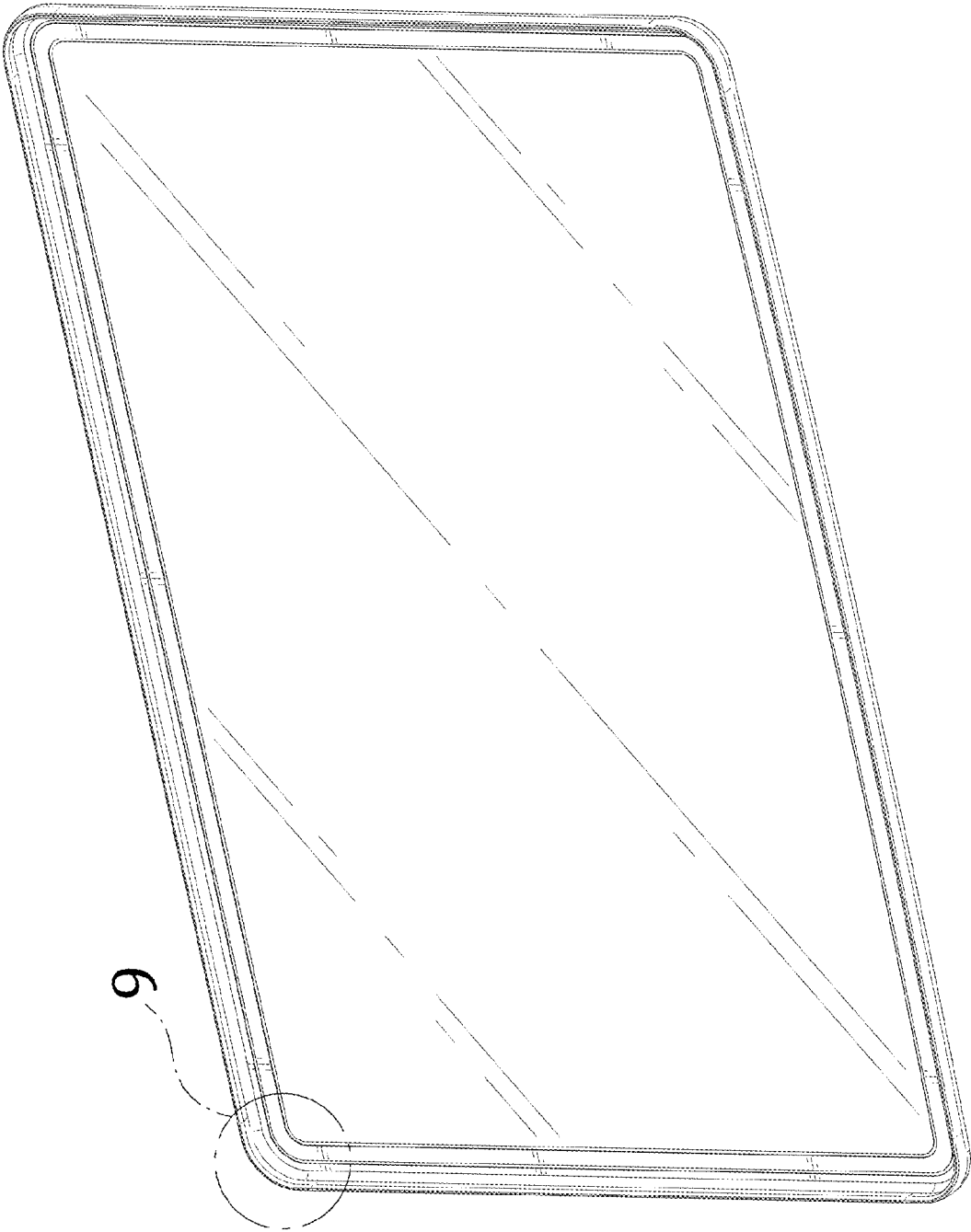


FIG. 2

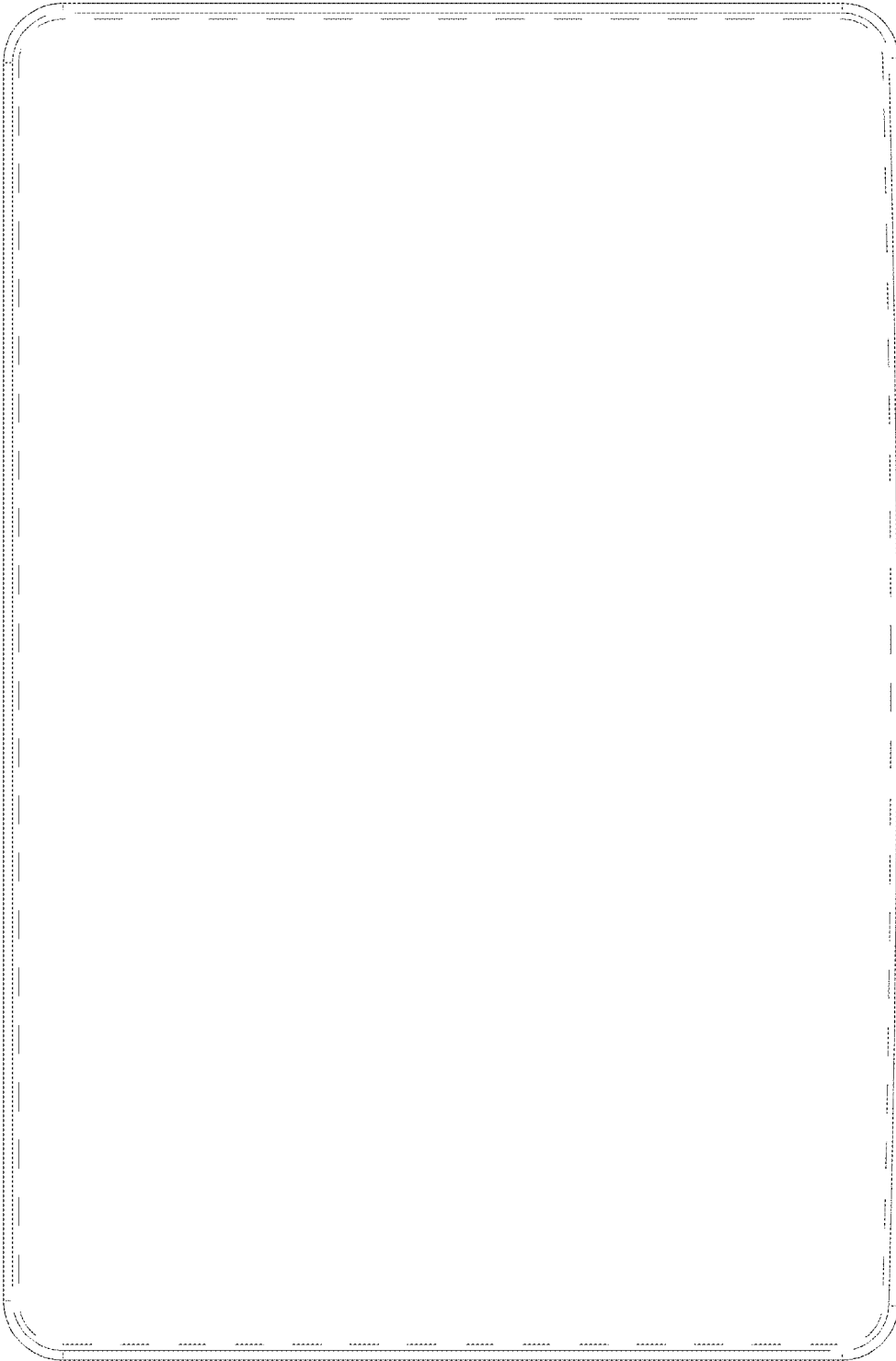


FIG. 3

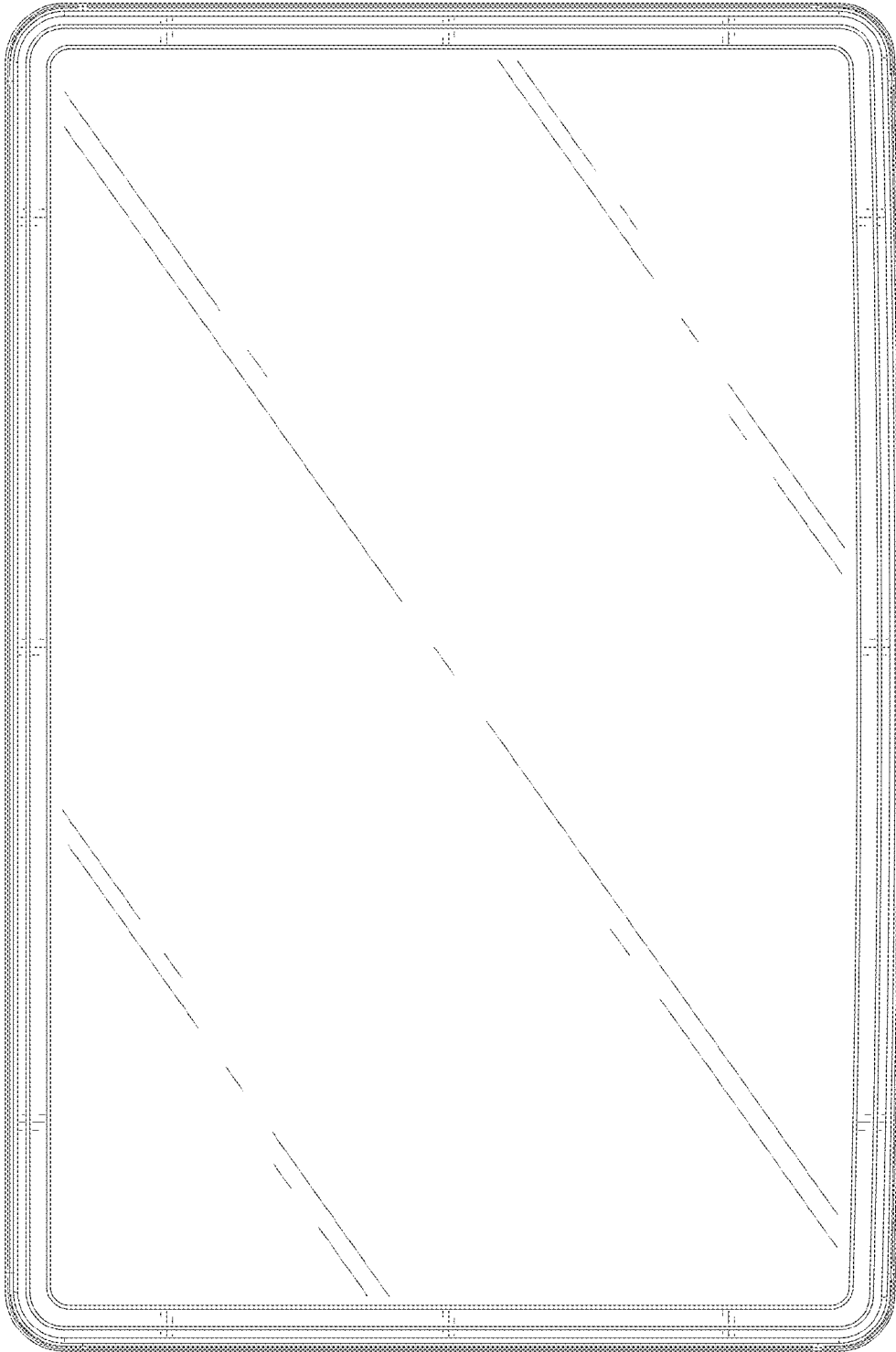


FIG. 4



FIG. 5

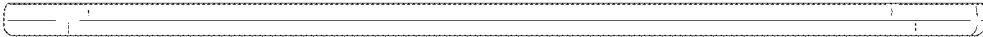


FIG. 6





FIG. 7



FIG. 8

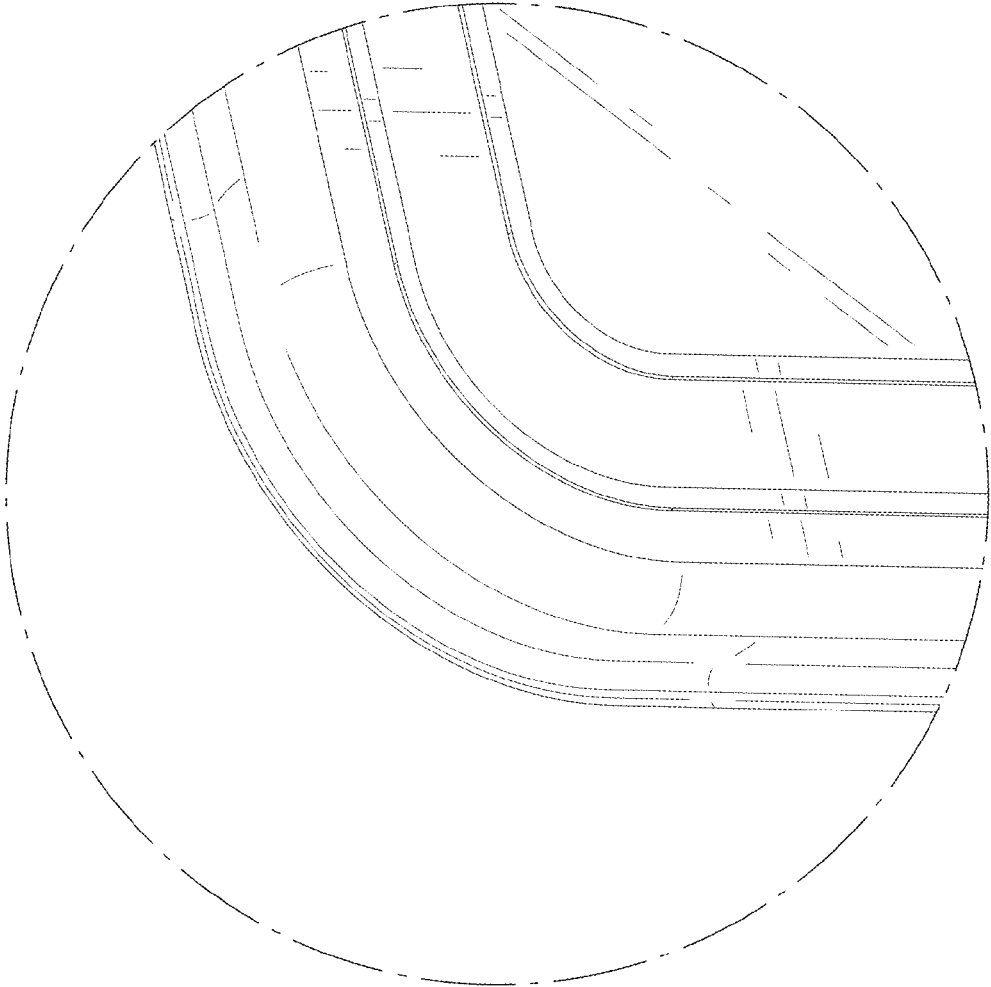


FIG. 9